



# 1646S Parts List

GBC IS AN ACCO BRANDS COMPANY



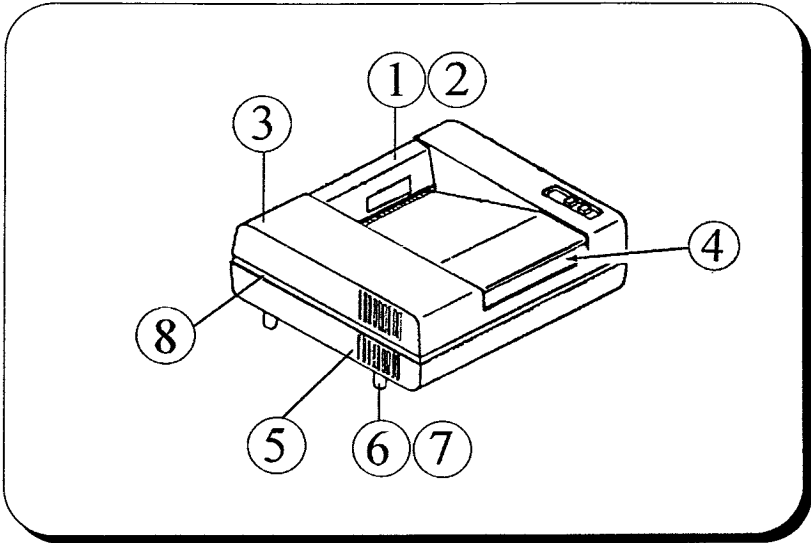


FIGURE 8.1

## 1646S PARTS LIST

INDEX #	PART #	DESCRIPTION	QTY.
1	7500832	TOP SHIELD .....	1
2	1926801	NUT (KEPS) .....	2
3	7500830	TOP COVER .....	1
4	6009148	FRONT LABEL .....	1
5	7500831	BOTTOM COVER .....	1
6	6176016	RUBBER FOOT .....	4
7	1900537	SCREW, ¼-20 X 1-½" LONG .....	4
8	1146769	SCREW W/PLASTIC WASHER .....	4



FIGURE 8.2

INDEX #	PART #	DESCRIPTION	QTY.
1	6208063	MOTOR .....	1
2	1139323	RELAY .....	1
3	6205034	CAPACITOR 108-130MFD, 250VAC .....	1
4	6200003	POWER CORD .....	1
5	1952414	STRAIN RELIEF .....	1
6	7500833	CONTROL LABEL .....	1
7	1146744	CONTROL SWITCH .....	1
8	1146766	SWITCH BRACKET .....	1
9	1903030	SCREW, SW MOUNTING #6-32 X ½" .....	2
10	1925007	WASHER .....	2
11	1907813	SCREW, RELAY MOUNTING #8-32 X ¼" .....	1
12	1145984	POWER BRACKET .....	1
13	1911105	SCREW #8-32 X ¼" .....	7
14	1925903	LOCKWASHER .....	3
15	1903205	SCREW, CUTTING HD 5/16-18 X ¾" .....	4
16	6210080	CLAMP, CAPACITOR .....	1
17	1902804	SCREW #8-32 X 3/8" .....	1
18	1926802	NUT #8-32 .....	1
19	6203003	FAN 115V .....	1
20	7500930	FAN MOUNTING BRACKET .....	1
21	1907809	SCREW, #10-32 X 3/8" .....	2
22	1145754	SWITCH BRACKET .....	1
23	1911106	SCREW, SWITCH BRACKET #8-32 X 3/8" .....	2
24	6196008	TERMINAL BLOCK .....	1
25	6204009	START RELAY (NOT SHOWN) 4CR-1-724 .....	1

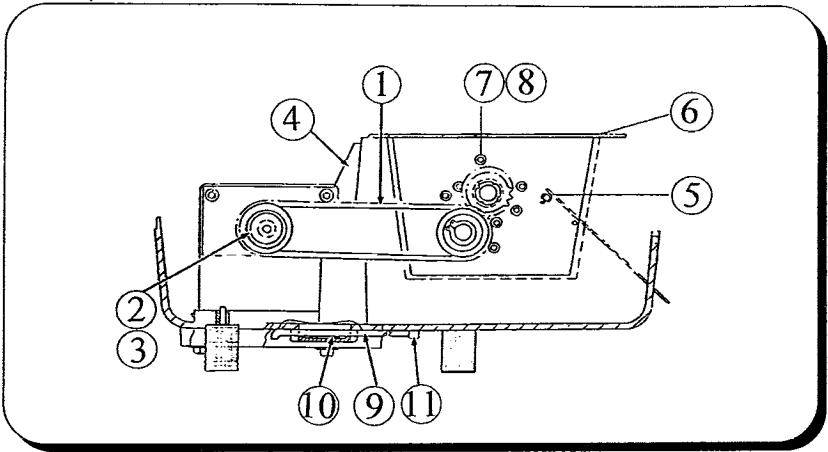


FIGURE 8.3

INDEX #	PART #	DESCRIPTION	QTY.
1	6181001	CHAIN 3/8 PITCH .....	1
2	6181003	SPROCKET, 20 TOOTH, MOTOR .....	1
3	1852807	KEY 3/16 X 1/2" .....	1
4	1146901	SUPPORT PLATE .....	2
5	1931606	RETAINING RING .....	1
6	1145920	RIGHT SIDE PLATE ASSY. ....	1
7	1926002	SPRING WASHER .....	12
8	1900512	SCREW, SOCKET HEAD 1/4-20 X 1/2" .....	12
9	7500636	BAG ROD .....	2
10	1145231	SPRING .....	2
11	1145247	PLASTIC CAP .....	2

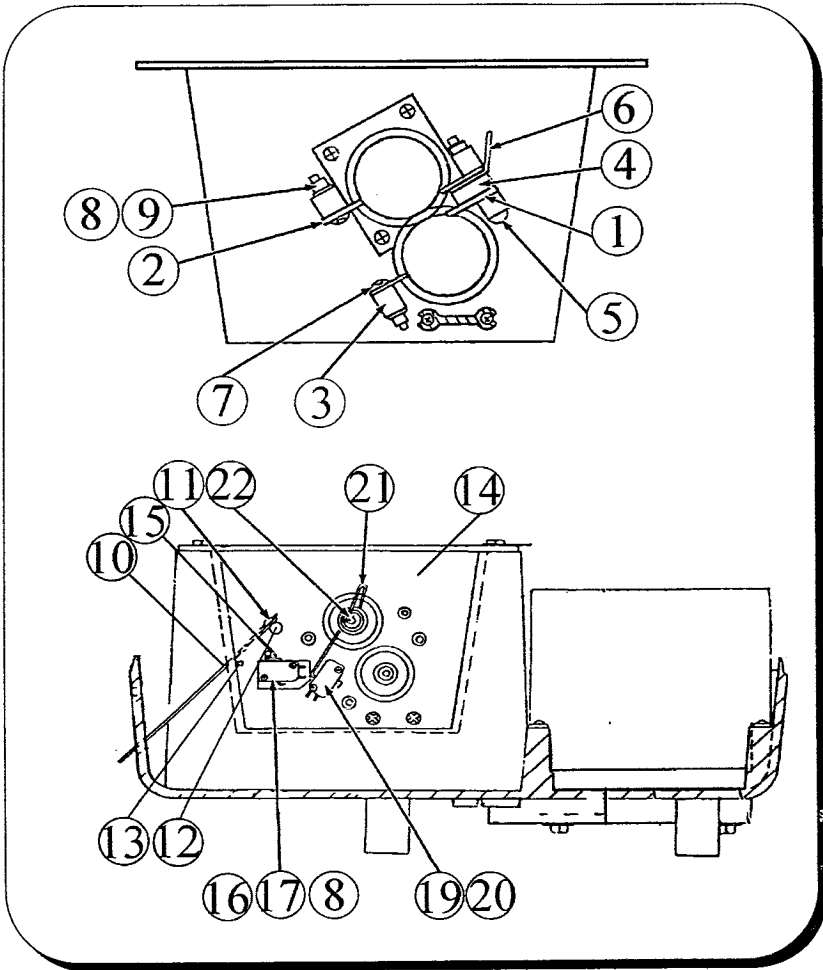


FIGURE 8.4

**FIGURE 8.4**

<b>INDEX #</b>	<b>PART #</b>	<b>DESCRIPTION</b>	<b>QTY.</b>
1	1145926	FRONT STRIPPER .....	2
2	1145925	BACK STRIPPER .....	2
3	1145927	STRIPPER SUPPORT BAR .....	4
4	1145995	PAPER GUIDE (FOLDING BLOCK) .....	2
5	1902855	SCREW, FRT STRIPPER #10-32 X 1 1/4" .....	2
6	7500835	FRONT DEFLECTOR .....	1
7	1903033	SCREW, REAR STRIPPER #10-32 X 7/8" .....	10
8	1925009	FLAT WASHER #10 .....	14
9	1926803	NUT #10-32 .....	12
10	1145405	FLAP .....	1
11	1902804	SCREW #8-32 X 3/8" .....	4
12	1145974	FLAP SHAFT .....	1
13	1929224	SPRING PIN .....	1
14	1145919	LEFT SIDE PLATE .....	1
15	1145975	FLAP SWITCH ACTUATOR .....	1
16	1131147	FLAP SWITCH .....	1
17	1902834	SCREW, #4-40 X 5/8" .....	4
18	1146539	INSULATOR .....	1
19	1139322	REVERSE SWITCH .....	1
20	1145694	STANDOFF .....	2
21	1131146	ACTUATOR, REVERSE SWITCH .....	2
22	1900556	SCREW, ACTUATOR #10-32 X 5/16" .....	1

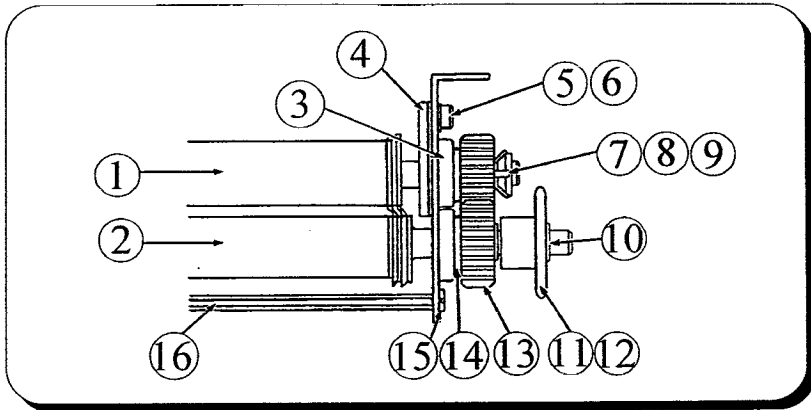


FIGURE 8.5

INDEX #	PART #	DESCRIPTION	QTY.
1	1145895	UPPER CUTTER .....	1
2	1146910	LOWER CUTTER .....	1
3	1145180	BEARING, CUTTER SHAFT .....	4
4	1145929	RETAINER PLATE, BEARING .....	1
5	1926002	SPRING WASHER .....	12
6	1900512	SCREW, SOCKET HEAD ¼-20 X ½" .....	12
7	1145930	LOCKNUT .....	1
8	1145931	LOCKWASHER .....	1
9	1852807	KEY 3/16 X ½" .....	2
10	1931605	GRIP RING .....	2
11	6181004	SPROCKET, 26 TOOTH, CUTTER .....	1
12	1852817	KEY 3/16 X 3/8" .....	1
13	1145976	GEAR, CUTTER .....	2
14	1145928	SPACER, CUTTER .....	2
15	1907809	SCREW, SPACER GUARD #10-32 X 3/8" .....	4
16	1145798	SPACER GUARD .....	1

5.4 ELECTRICAL SCHEMATIC WIRING DIAGRAM IISVAC

