



PB 2600 Parts List



GBC IS AN ACCO BRANDS COMPANY

8.0 PARTS LIST - PB2600 ELECTRIC BINDER

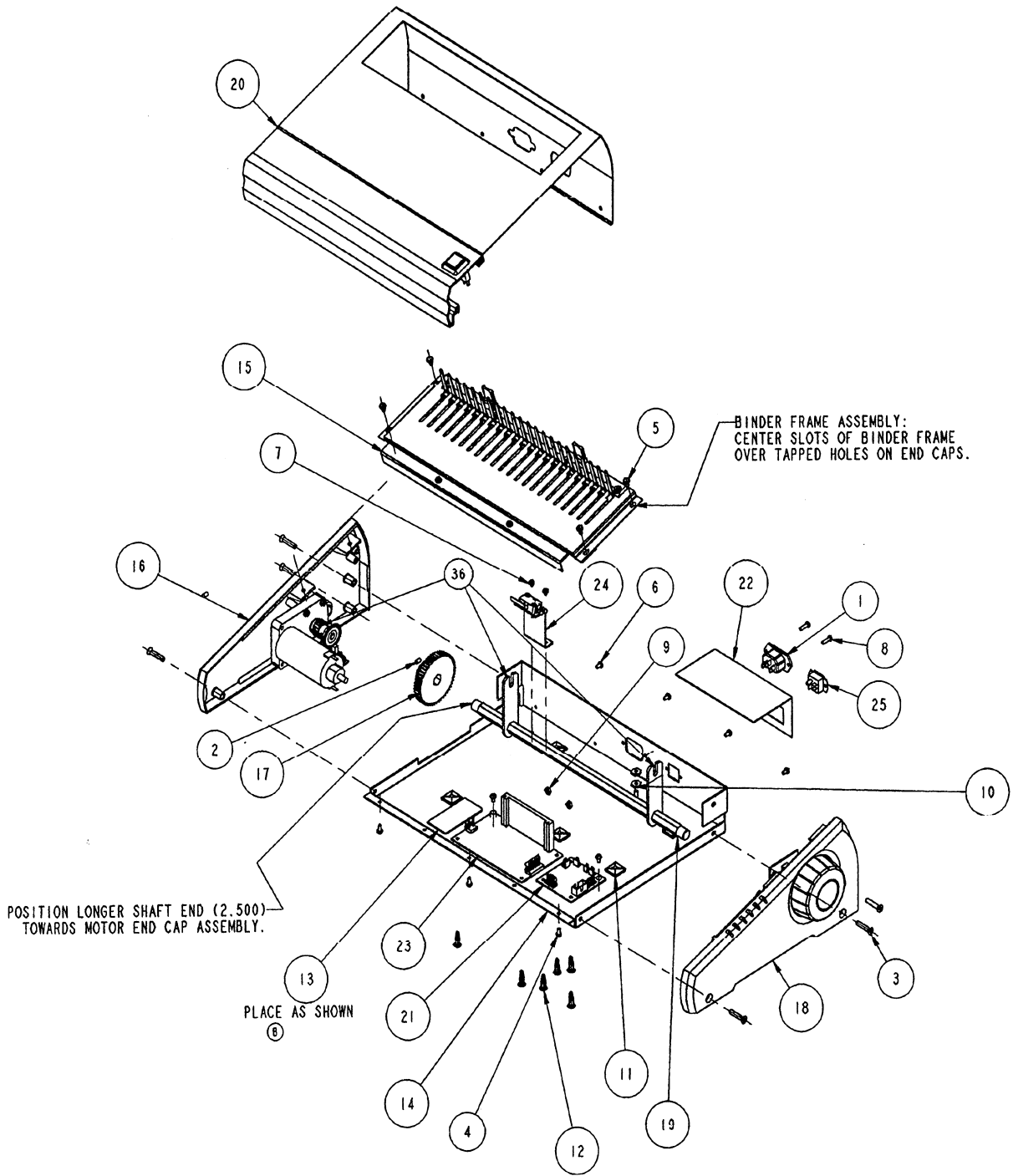


Figure 8-1 - PB2600 Parts

8.0 PARTS LIST - PB2600 ELECTRIC BINDER

8.1 Parts Listing

Index	Part Number	Description	Qty
1	1132289	POWER RECEPTACLE	1
2	1900002	SET SCREW #8-32 x 1/4	1
3	1900629	SCREW, 10-32 x 2.25 S.H.C.	6
4	1901204	SCREW, SELF TAP #6-18 x 5/16	3
5	1911104	SCREW, PAN HEAD 8-32 x 5/16	4
6	1911109	SCREW, SEMS PAN HEAD #6-32 x 1/4	6
7	1911113	SCREW, PAN HEAD SEMS 6-32 x 3/16	2
8	1911121	SCREW, SEMS PAN HEAD #6-32 x 1/2	2
9	1926801	NUT, KEPS #6-32	2
10	1926802	NUT, KEPS #8-32	2
11	1931049	ADHESIVE CLAMP, WIRE TIE	5
12	1951011	STANDOFF PCB	6
13	6009368	LABEL, FUSE WARNING	1
14	7301006	BASE	1
15	See Fig. 8.2	BINDER FRAME ASSEMBLY	1
16	See Fig. 8.3	LEFT END CAP ASSEMBLY	1
17	7301016	GEAR, DRIVE	1
18	See Fig. 8.4	RIGHT END CAP ASSEMBLY	1
19	7301026	SHAFT ASSEMBLY	1
20	See Fig. 8.5	TOP HOUSING ASSEMBLY	1
21	7301037	PCB CONTROL	1
22	7301042	SHIELD, ELECTRONICS	1
23	7301043	POWER SUPPLY	1
24	7301075	HOME SWITCH	1
24	1902834	SCREW, PAN HEAD #4-40 x 5/8"	2
24	7301046	BRACKET, HOME SWITCH	1
25	7301068	RECEPTACLE, FOOT SWITCH	1
26	7301052	WIRE ASSEMBLY, GROUND	1
27	7301053	CABLE ASSEMBLY, AC	1
28	7301054	CABLE ASSEMBLY, DC	1
29	7301055	CABLE ASSEMBLY, RUN SWITCH	1
30	7301056	CABLE ASSEMBLY, HOME SWITCH	1
31	7301057	CABLE ASSEMBLY, MOTOR	1
32	7301058	CABLE ASSEMBLY, POT	1
33	7301059	CABLE ASSEMBLY, LED BOARD	1
34	7301084	CABLE ASSEMBLY, ENCODER	1
35	1932121	WIRE TIE	5
36	1961503	LUBRIPLATE	.001

8.0 PARTS LIST - PB2600 ELECTRIC BINDER

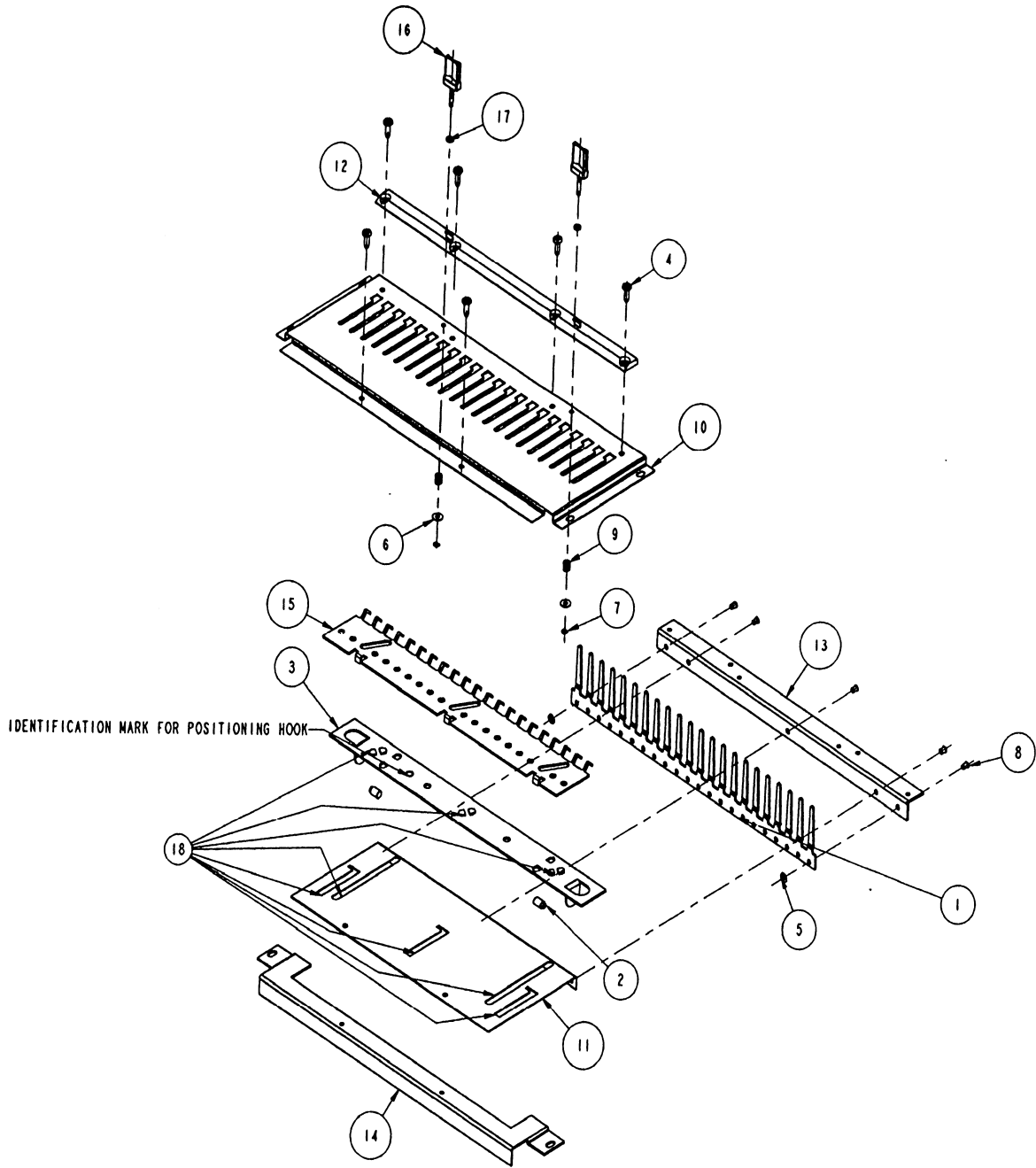


Figure 8-2 – Binder Frame Assembly

8.0 PARTS LIST - PB2600 ELECTRIC BINDER

8.2 Parts Listing, Binder Frame Assembly

Index	Part Number	Description	Qty
1	1101996	COMB	1
2,3	7301088	SLIDE BAR ASSEMBLY	1
4	1907802	SCREW, #8-32 X ½ PAN HD TAP	6
5	1925007	WASHER, 5/32 ID, 5/16 OD, .035 THK	2
6	1925119	WASHER, 3/8 OD	2
7	1930518	E-RING	2
8	1930816	EYELET	5
9	1935205	SPRING, .25 OD X .3 IL X .32 W.D	2
10	7301007	TOP PLATE	1
11	7301008	GUIDE PLATE	1
12	7301012	CERLOX SUPPORT	1
13	7301034	BRACKET, COMB	1
14	7301047	STIFFENER	1
15	7301048	SLIDE, HOOK	1
16	7301072	CERLOX SUPPORT ASM.	2
17	7301076	WASHER, CERLOX SUPPORT	2
18	1961503	LUBRIPLATE	.001

8.0 PARTS LIST - PB2600 ELECTRIC BINDER

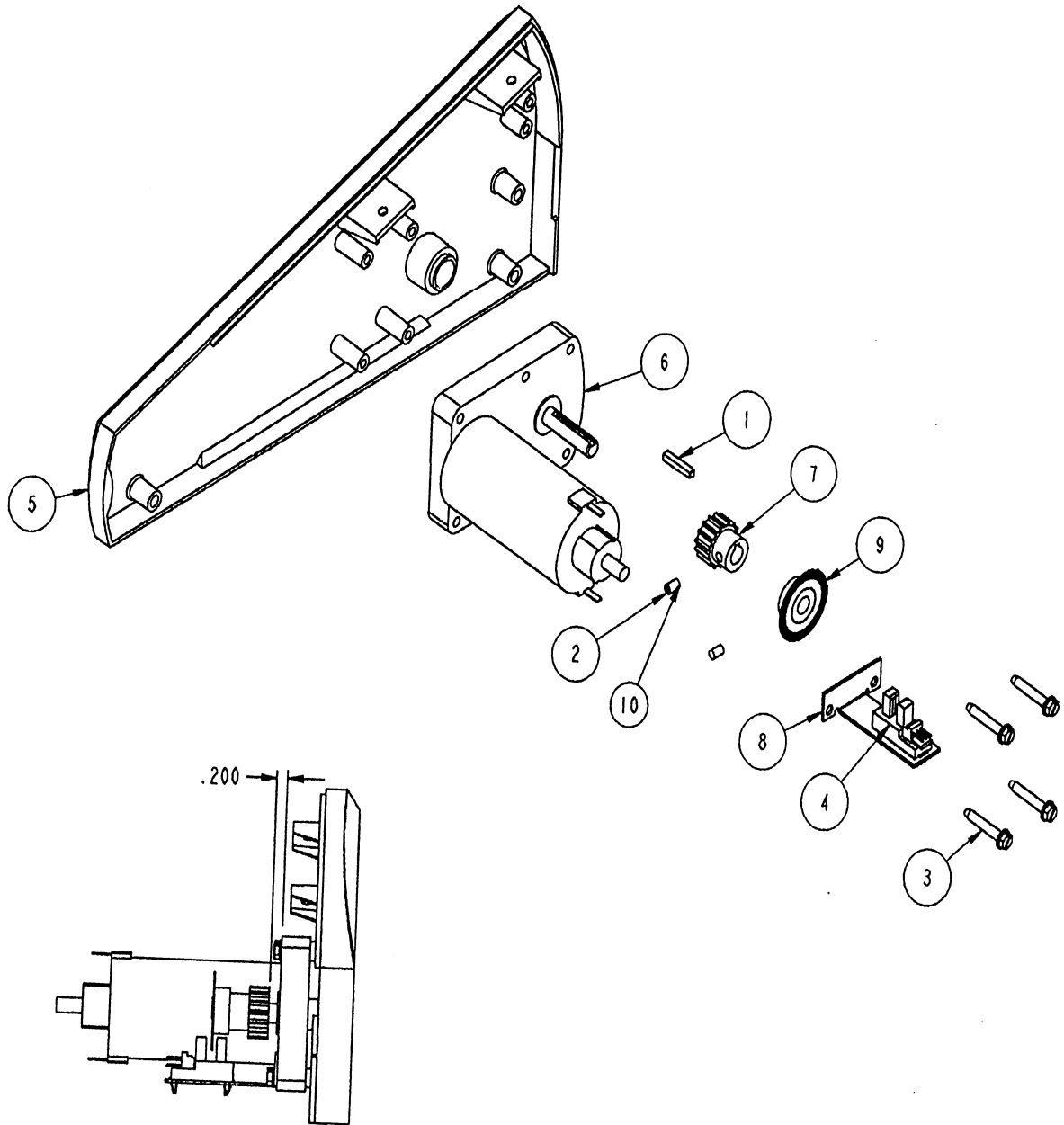


Figure 8-3 – Left End Cap Assembly

8.0 PARTS LIST - PB2600 ELECTRIC BINDER

8.3 Parts Listing, Left End Cap Assembly

Index	Part Number	Description	Qty
1	1852815	KEY 1/8 SQUAREX ¾ LONG	1
2	1900002	SET SCREW, #8-32 X 1/4	2
3	1907214	SCREW, 8-32 X 1 HXWASH HD SELF TAP	4
4	7300567	OPTICAL SENSOR	1
5	7301003	END CAP, LEFT	1
6	7301013	MOTOR	1
7	7301015	GEAR, MOTOR	1
8	7301017	BRACKET, OPTICAL SENSOR	1
9	7301022	ENCODER ASSEMBLY	1
10	1960512	LOCTITE	.001

8.0 PARTS LIST - PB2600 ELECTRIC BINDER

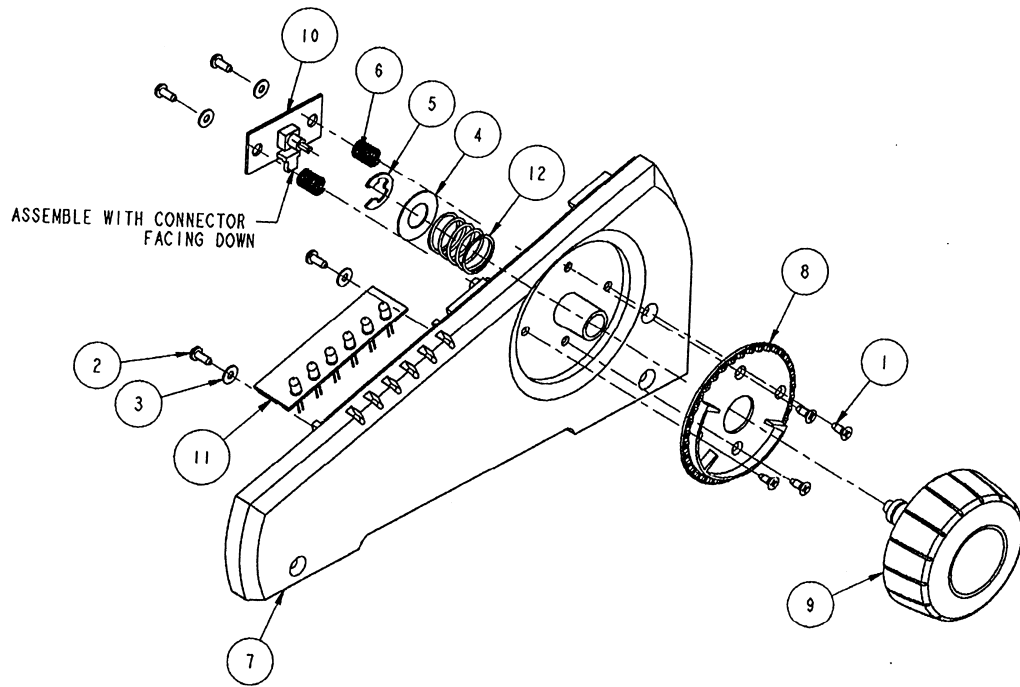


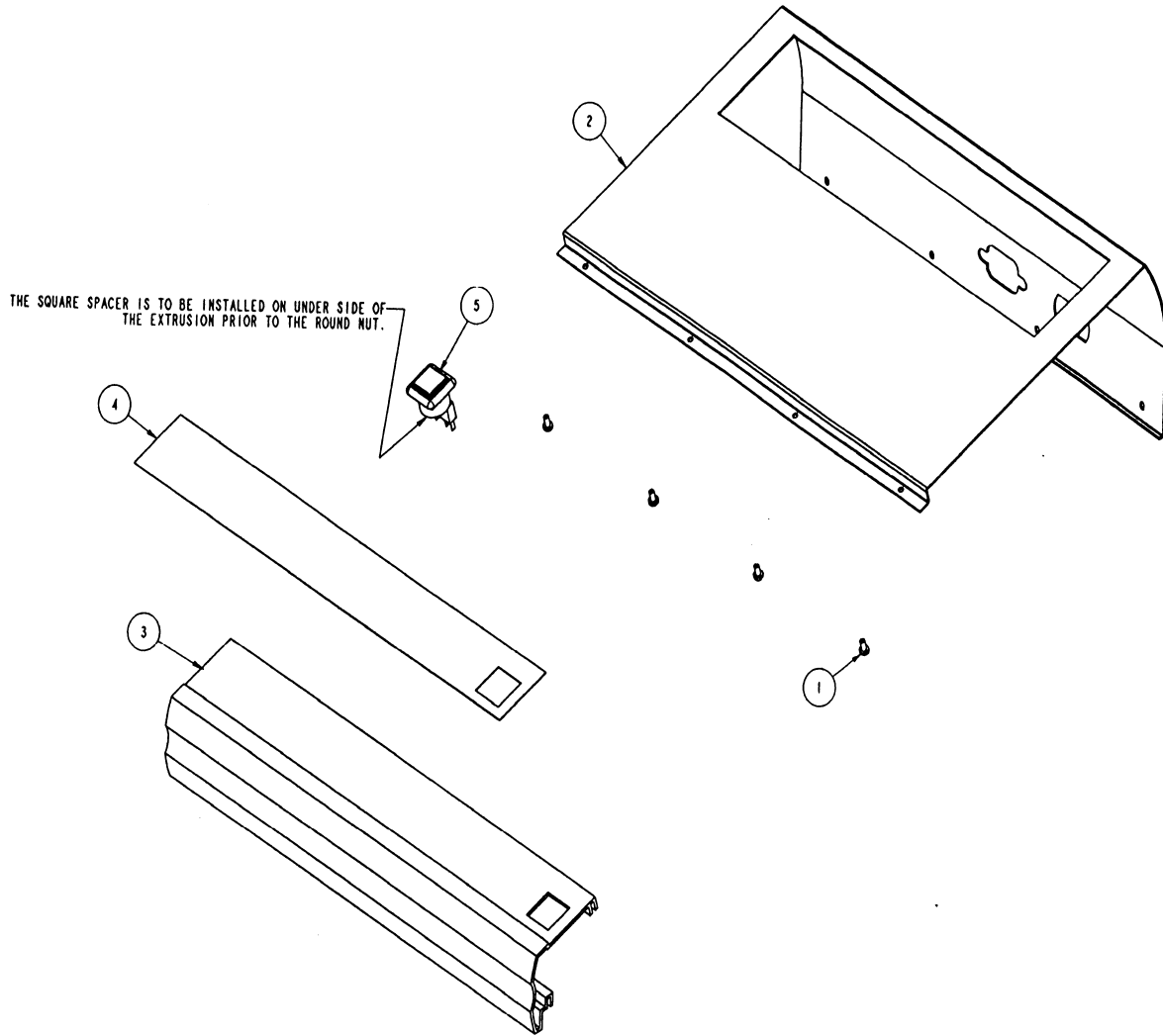
Figure 8-4 – Right End Cap Assembly

8.0 PARTS LIST - PB2600 ELECTRIC BINDER

8.4 Parts Listing, Right End Cap Assembly

Index	Part Number	Description	Qty
1	1907602	SCREW, 6-32 X 3/8 FLAT HD SELF TAP'G	4
2	1907803	SCREW, 6-32 X 3/8 PAN HD SELF TAP'G	4
3	1925119	WASHER 3/8 OD	4
4	1925126	WASHER 1 1/16 OD	1
5	1930522	E RING	1
6	1935206	SPRING, .375 OD X .5 L X .02 W.D	2
7	7301002	END CAP, RIGHT	1
8	7301025	DISK, KNOB	1
9	7301027	KNOB ASSEMBLY	1
10	7301036	P.C.B. POTENTIOMETER	1
11	7301038	P.C.B. LED	1
12	7301039	SPRING, KNOB	1

8.0 PARTS LIST - PB2600 ELECTRIC BINDER



8.5 Parts Listing, Top Housing Assembly

Index	Part Number	Description	Qty
1	1901204	SCREW, 6-18 X 5/16 PAN HD SELF TAP	4
2	7301004	TOP HOUSING	1
3	7301005	EXTRUSION FRONT	1
4	7301032	LABEL, LOGO	1
5	7301044	SWITCH START	1

8.0 PB2600 PARTS LIST

8.6 Package Parts Listing

Part Number	Description	Qty
7703552	FOOT, RUBBER	4
7301083	FOOT PEDAL	1
6200001	POWER CORD, 115V	1
6200002	POWER CORD, 230V EUROPE	1
6200014	POWER CORD, 230V UNITED KINGDOM	1
6200016	POWER CORD, 240V AUSTRALIA	1
6200017	POWER CORD, 100V JAPAN	1
6009367	LABEL, FOOT SWITCH	1
7301082	PLASTIC BAG	1
7301079	END CAP WRAP, LEFT	1
7301078	END CAP WRAP, RIGHT	1
7301069	END FILLER	1
7301085	CORD WRAP	1
7301077	CARTON	1
1155022	WARRANTY CARD	1
7301049	OPERATING INSTRUCTIONS	1
6001113	SERVICE MANUAL	1