



# 1236SE/1636SE/ 1666SE PARTS LIST

GBC IS AN ACCO BRANDS COMPANY



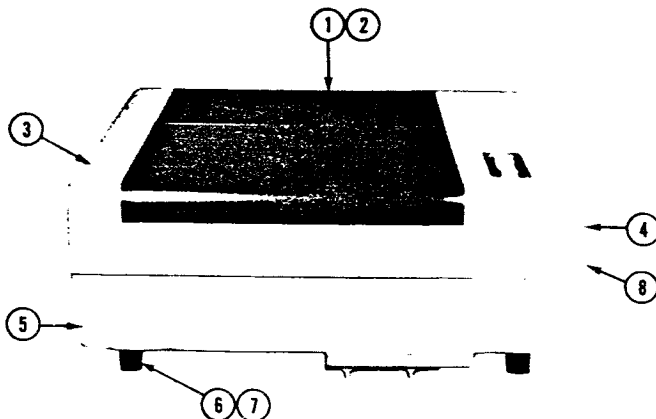


FIGURE 8.1

INDEX NUMBER	PART NUMBER	DESCRIPTION	QUANTITY		
			1236SE	1636SE	1666S
1	1146786	TOP SHIELD	1		
1	7500832	TOP SHIELD			
2	1926801	NUT (KEPS)	2	2	2
3	1146748	TOP COVER	1		
3	7500830	TOP COVER		1	1
4	7500510	COVER DECAL	1		
4	7500710	COVER DECAL		1	
4	7500834	COVER DECAL			1
5	1146749	BOTTOM COVER	1		
5	7500831	BOTTOM COVER		1	1
6	1120322	RUBBER FOOT	4	4	4
7	1900537	SCREW, 1/4-20 X 1-3/4" LONG	4	4	4
8	1146769	SCREW W/ PLASTIC WASHER	4	4	4

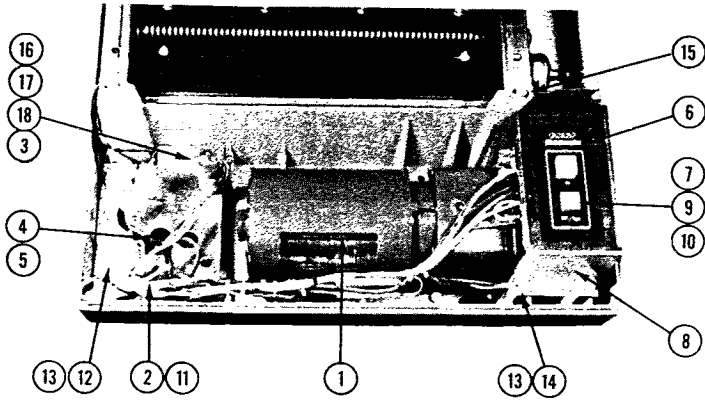


FIGURE 8.2

INDEX NUMBER	PART NUMBER	DESCRIPTION	QUANTITY		
			1236SE	1636SE	1666S
1	1146743	MOTOR	1	1	1
2	1139323	RELAY	1	1	1
3	1146902	CAPACITOR	1	1	1
4	1100027	POWER CORD	1		
4	6200003	POWER CORD		1	1
5	1952414	STRAIN RELIEF	1	1	1
6	7500833	CONTROL LABEL	1	1	1
7	1146744	CONTROL SWITCH	1	1	1
8	1146767	SWITCH BRACKET	1	1	1
9	1903030	SCREW, SW MOUNTING #6-32 X 1/2"	3	3	3
10	1925007	WASHER	3	3	3
11	1907813	SCREW, RELAY MOUNTING #8-32x1/4	1	1	1
12	1145984	POWER BRACKET	1	1	1
13	1911105	SCREW #8-32 X 1/4"	7	7	7
14	1925903	LOCKWASHER	3	3	3
15	1903205	SCREW, CUTTING HD 5/16-18 X 3/4"	4	4	4
16	1931012	CLAMP, CAPACITOR	1	1	1
17	1902804	SCREW #8-32 X 3/8"	1	1	1
18	1926802	NUT #8-32	1	1	1

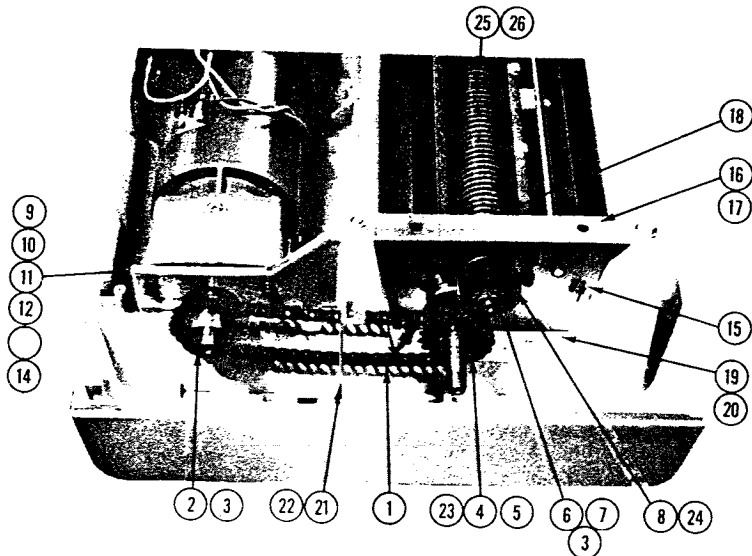


FIGURE 8.3

INDEX NUMBER	PART NUMBER	DESCRIPTION	QUANTITY		
			1236SE	1636SE	1666S
1	1146776	CHAIN	1		
1	1146777	CHAIN		1	1
2	1146781	SPROCKET 18 TOOTH	1	1	1
3	1852807	KEY 3/16" X 1/2"	3	3	3
4	1146780	SPROCKET 18 TOOTH	1		
4	1146782	SPROCKET 12 TOOTH		1	1
5	1852817	KEY 3/16" X 3/8"	1	1	1
6	1145930	LOCKNUT	1	1	1
7	1145931	LOCKWASHER	1	1	1
8	1145928	SPACER, CUTTER	2	2	2
9	1146901	SUPPORT PLATE	2	2	2
10	1900519	SUPPORT SCREW 1/4-20 X 1"	2	2	2
11	1931322	U NUT 5/16"	2	2	2
12	1951956	SCREW, MOTOR MNTG 5/16-18x1 3/4"	4	4	4
13	1926004	SPRING WASHER	4	4	4
14	1925025	FLAT WASHER	4	4	4
15	1931606	RETAINING RING	1	1	1
16	1145920	RIGHT SIDE PLATE	1	1	1
17	1145180	BEARING, CUTTER SHAFT	4	4	4
18	1145929	RETAINER PLATE, BEARING (NOT SHOWN)	1	1	1
19	1145799	SPACER GUARD	1		
19	1145798	SPACER GUARD		1	1
20	1907809	SCREW, SPACER GUARD #10-32 X 3/8"	4	4	4
21	1145754	SWITCH BRACKET	1	1	1
22	1911106	SCREW, SWITCH BRACKET #8-32 X 3/8"	2	2	2
23	1931605	GRIP RING 5/8"	1	1	1
24	1145976	GEAR, CUTTER	2	2	2
25	1145878	UPPER CUTTER	1		
25	1145895	UPPER CUTTER		1	1
26	1146909	LOWER CUTTER	1		
26	1146910	LOWER CUTTER		1	1

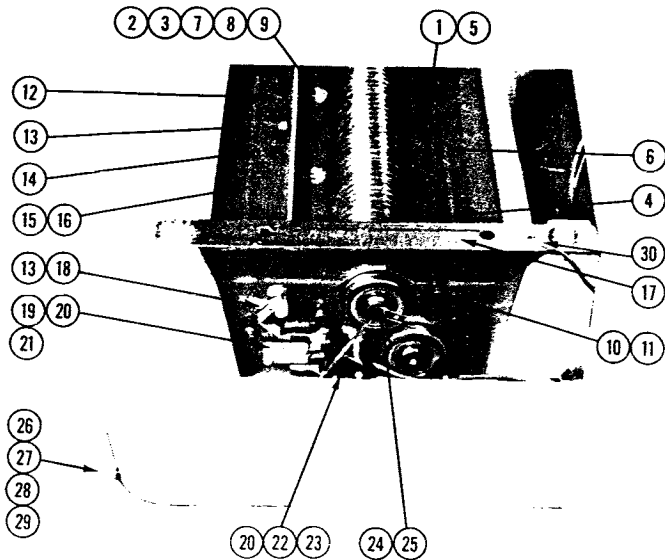


FIGURE 8.4

INDEX NUMBER	PART NUMBER	DESCRIPTION	QUANTITY		
			1236SE	1636SE	1666S
1	1145922	FRONT STRIPPER	2		
1	1145926	FRONT STRIPPER		2	2
2	1145921	BACK STRIPPER	2		
2	1145925	BACK STRIPPER		2	2
3	1145882	STRIPPER SUPPORT BAR	4		
3	1145927	STRIPPER SUPPORT BAR		4	2
4	1145995	PAPER GUIDE (FOLDING BLOCK)	2	2	2
5	1902855	SCREW, FRT STRIPPER #10-32 X 1 3/4"	2	2	2
6	1146790	FRONT DEFLECTOR	1		
6	7500835	FRONT DEFLECTOR		1	1
7	1903033	SCREW, REAR STRIPPER #10-32 X 7/8"	10	10	10
8	1925009	FLAT WASHER #10	14	14	14
9	1926803	NUT #10-32	12	12	12
10	1900512	SCREW, SOCKET HEAD 1/4-20 X 1/2"	12	12	12
11	1926002	SPRING WASHER	12	12	12
12	1145402	FLAP	1		
12	1145405	FLAP		1	1
13	1902804	SCREW #8-32 X 3/8"	4	4	4
14	1145973	FLAP SHAFT	1		
14	1145974	FLAP SHAFT		1	1

FIGURE 8.4 (continued)

INDEX NUMBER	PART NUMBER	DESCRIPTION	QUANTITY		
			1236SE	1636SE	1666S
15	1145908	FLAP STOP SHAFT	1		
15	1145909	FLAP STOP SHAFT		1	1
16	1963701	"O" RING	2	2	2
17	1145919	LEFT SIDE PLATE	1	1	1
18	1145975	FLAP SWITCH ACTUATOR	1	1	1
19	1131147	FLAP SWITCH	1	1	1
20	1902940	SCREW, #4-40 X 1/2"	4	4	4
21	1146539	INSULATOR	1	1	1
22	1139322	REVERSE SWITCH	1	1	1
23	1145694	STANDOFF	2	2	2
24	1131146	ACTUATOR, REVERSE SWITCH	1	1	1
25	1900556	SCREW, ACTUATOR #10-32 X 5/16"	1	1	1
26	1145230	BAG ROD	2		
26	7500636	BAG ROD		2	2
27	1145231	SPRING	2	2	2
28	1930508	RETAINER RING	2	2	2
29	1145247	PLASTIC CAP	2	2	2

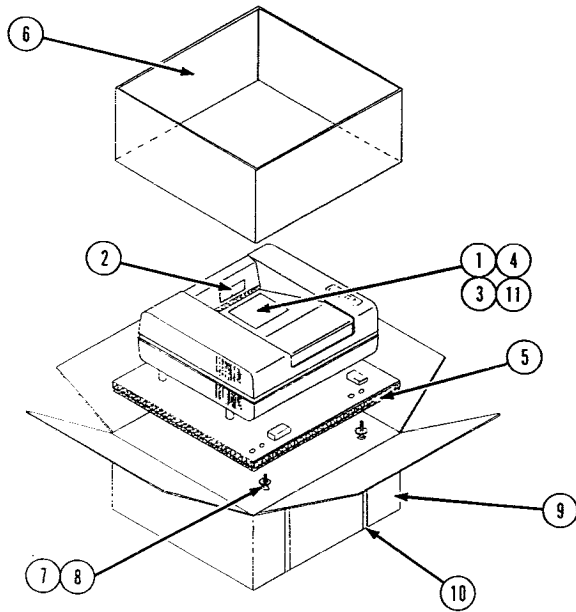


FIGURE 8.5

INDEX NUMBER	PART NUMBER	DESCRIPTION	QUANTITY		
			1236SE	1636SE	1666S
1	1104949	POLY-BAG	1	1	1
2	6009006	WARNING LABEL	1	1	1
3	1139313	INSERT CARD	1	1	1
4	1154287	OPERATOR INSTRUCTIONS	1	1	
4	6000015	OPERATOR INSTRUCTIONS			1
5	1156054	CORRUGATED PAD	1	1	1
6	1156038	PACKING TUBE	1	1	1
7	1925034	WASHER	3	3	3
8	1951943	BOLT, 3/8-16 X 3"	3	3	3
9	1156039	SHREDDER CARTON	1	1	1
10	1963505	PACKING STRAP	1	1	1
11	1146808	BAGS, PACK OF 10	1	1	1