

Figure 8.1

INDEX NO.	PART NO.	PART NAME	QUANTITY	
			1236S	1636S
1	1146786	TOP SHIELD.	1	
1	1146787	TOP SHIELD.		1
2	1926801	NUT (KEPS).	2	2
3	1146748	TOP COVER	1	
3	1146750	TOP COVER		1
4	1146757	COVER DECAL	1	
4	1146761	COVER DECAL		1
5	1146749	BOTTOM COVER.	1	
5	1146751	BOTTOM COVER.		1
6	1120322	RUBBER FOOT	4	4
7	1900537	SCREW, 1/4-20 X 1-3/4" LONG	4	4
8	1146769	SCREW W/PLASTIC WASHER.	4	4

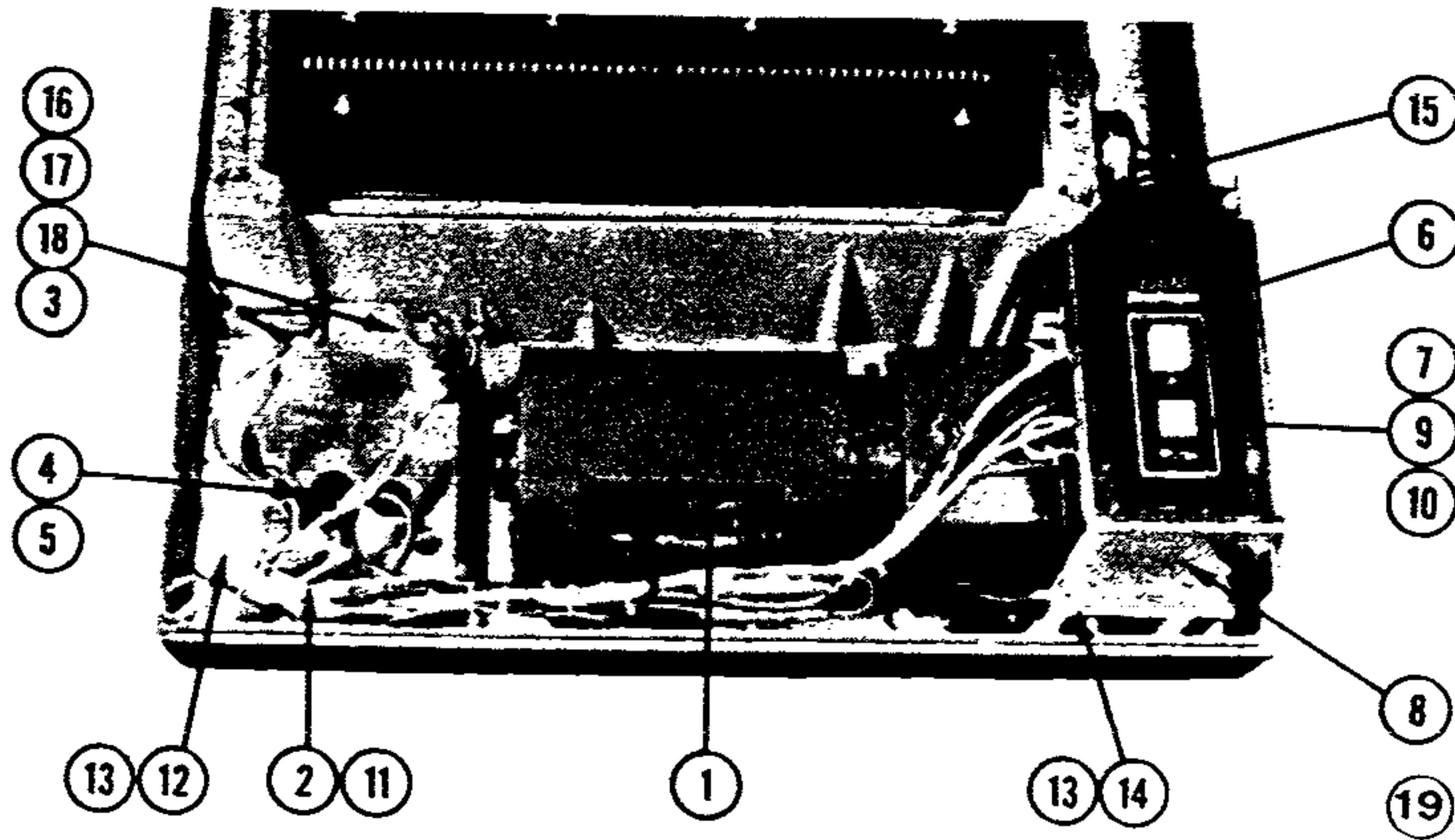


Figure 8.2

INDEX NO.	PART NO.	PART NAME	QUANTITY	
			1236S	1636S
1	1146743	MOTOR	1	1
2	1139323	RELAY	1	1
3	1146902	CAPACITOR	1	1
4	1100027	POWER CORD.	1	1
5	1952414	STRAIN RELIEF	1	1
6	1146756	CONTROL LABEL	1	
6	1146760	CONTROL LABEL		1
7	1146744	CONTROL SWITCH.	1	1
8	1146766	SWITCH BRACKET.	1	1
9	1903030	SCREW, SWITCH MOUNTING #6-32 X 1/2"	2	2
10	1925007	WASHER.	2	2
11	1907813	SCREW, RELAY MOUNTING #8-32 X 1/4"	1	1
12	1145984	POWER BRACKET	1	1
13	1911105	SCREW #8-32 X 1/4"	7	7
14	1925903	LOCKWASHER.	3	3
15	1903205	SCREW, CUTTING HEAD 5/16-18 X 3/4"	4	4
16	1931012	CLAMP, CAPACITOR.	1	1
17	1902804	SCREW #8-32 X 3/8"	1	1
18	1926802	NUT #8-32	1	1
19	1145608	STANDOFF, SWITCH MOUNTING	2	2

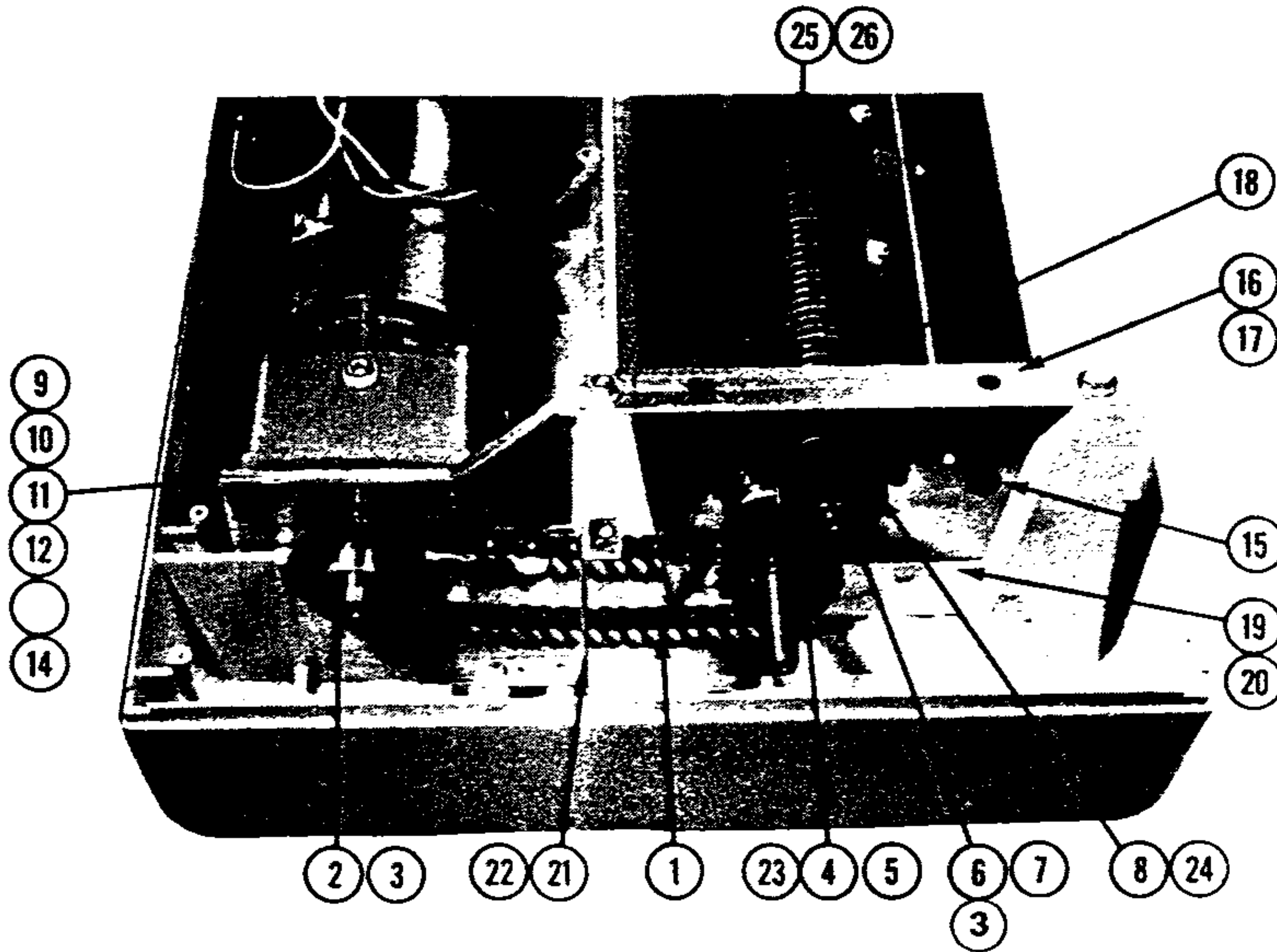


Figure 8.3

INDEX NO.	PART NO.	PART NAME	QUANTITY	
			1236S	1636S
1	1146776	CHAIN	1	
1	1146777	CHAIN		1
2	1146781	SPROCKET 18 TOOTH	1	1
3	1852807	KEY 3/16" X 1/2"	2	2
4	1146780	SPROCKET 18 TOOTH	1	
4	1146782	SPROCKET 12 TOOTH		1
5	1852817	KEY 3/16" X 3/8"	1	1
6	1145930	LOCKNUT	1	1
7	1145931	LOCKWASHER.	1	1
8	1145928	SPACER, CUTTER.	2	2
9	1146901	SUPPORT PLATE	2	2
10	1900519	SUPPORT SCREW 1/4-20 X 1"	2	2
11	1926821	NUT 5/16"-18.	4	4
12	1951978	SCREW, MOTOR MNTG 5/16-18 X 2"	4	4
14	1925025	FLAT WASHER	4	4
15	1931606	RETAINING RING.	3	3
16	1145920	RIGHT SIDE PLATE.	1	1
17	1145180	BEARING, CUTTER SHAFT	4	4
18	1145929	RETAINER PLATE, BEARING (NOT SHOWN)	1	1
19	1145799	SPACER GUARD.	1	
19	1145798	SPACER GUARD.		1
20	1907809	SCREW, SPACER GUARD #10-32 X 3/8"	4	4
21	1145754	SWITCH BRACKET.	1	1
22	1911106	SCREW, SWITCH BRACKET #8-32 X 3/8"	2	2

Figure 8.3 (CONTINUED)

23	1931605	GRIP RING 5/8"	2	2
24	1145976	GEAR, CUTTER.	2	2
25	1145878	UPPER CUTTER.	1	
25	1145895	UPPER CUTTER.		1
26	1146909	LOWER CUTTER.	1	
26	1146910	LOWER CUTTER.		1

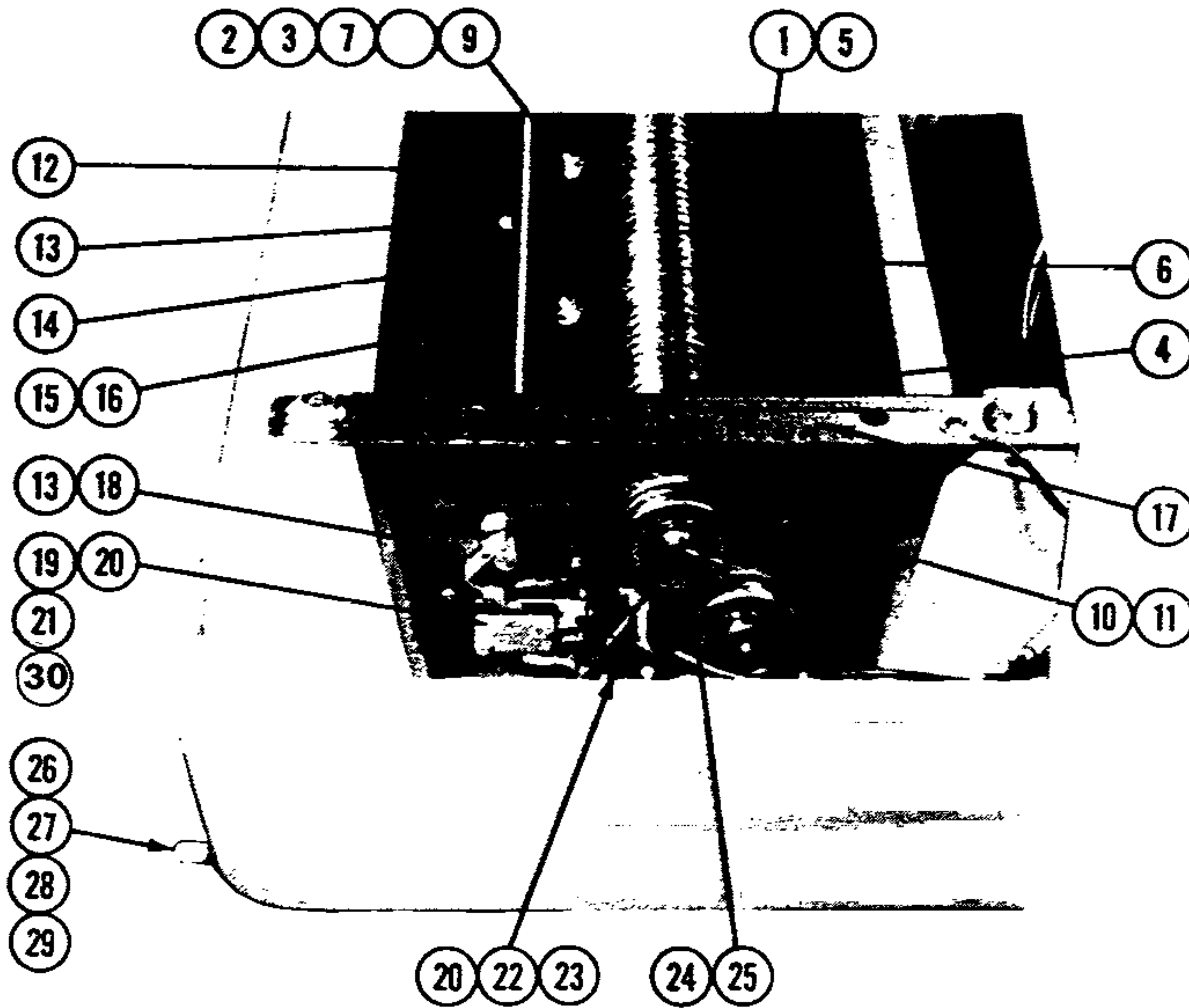


Figure 8.4

INDEX NO.	PART NO.	PART NAME	QUANTITY	
			1236S	1636S
1	1145922	FRONT STRIPPER.	2	
1	1145926	FRONT STRIPPER.		2
2	1145921	BACK STRIPPER	2	
2	1145925	BACK STRIPPER		2
3	1145882	STRIPPER SUPPORT BAR.	4	
3	1145927	STRIPPER SUPPORT BAR.		4
4	1145995	PAPER GUIDE (FOLDING BLOCK)	2	2
5	1902855	SCREW, FRT STRIPPER #10-32 X 1 3/4"	2	2
6	1146790	FRONT DEFLECTOR	1	
6	1146791	FRONT DEFLECTOR		1
7	1903033	SCREW, REAR STRIPPER #10-32 X 7/8"	10	10
9	1926822	NUT #10-32.	10	10
10	1900512	SCREW, SOCKET HEAD 1/4-20 X 1/2"	12	12
11	1926002	SPRING WASHER	12	12
12	1145402	FLAP.	1	
12	1145405	FLAP.		1
13	1902804	SCREW #8-32 X 3/8"	4	4
14	1145973	FLAP SHAFT.	1	
14	1145974	FLAP SHAFT.		1
15	1145908	FLAP STOP SHAFT	1	
15	1145909	FLAP STOP SHAFT		1
16	1963701	"O" RING.	2	2
17	1145919	LEFT SIDE PLATE	1	1
18	1145975	FLAP SWITCH ACTUATOR.	1	1
19	1131147	FLAP SWITCH	1	1

Figure 8.4 (CONTINUED)

INDEX NO.	PART NO.	PART NAME	QUANTITY	
			1236S	1636S
20	1902940	SCREW #4-40 X 1/2".	4	4
21	1146539	INSULATOR	1	1
22	1139322	REVERSE SWITCH.	1	1
23	1145694	STANDOFF.	2	2
24	1131146	ACTUATOR, REVERSE SWITCH.	1	1
25	1900556	SCREW, ACTUATOR #10-32 X 5/16".	1	1
26	1145230	BAG ROD	2	2
27	1145231	SPRING.	2	2
28	1930508	RETAINER RING	2	2
29	1145247	PLASTIC CAP	2	2
30	1929224	SPRING PIN, FLAPSHAFT	1	1