

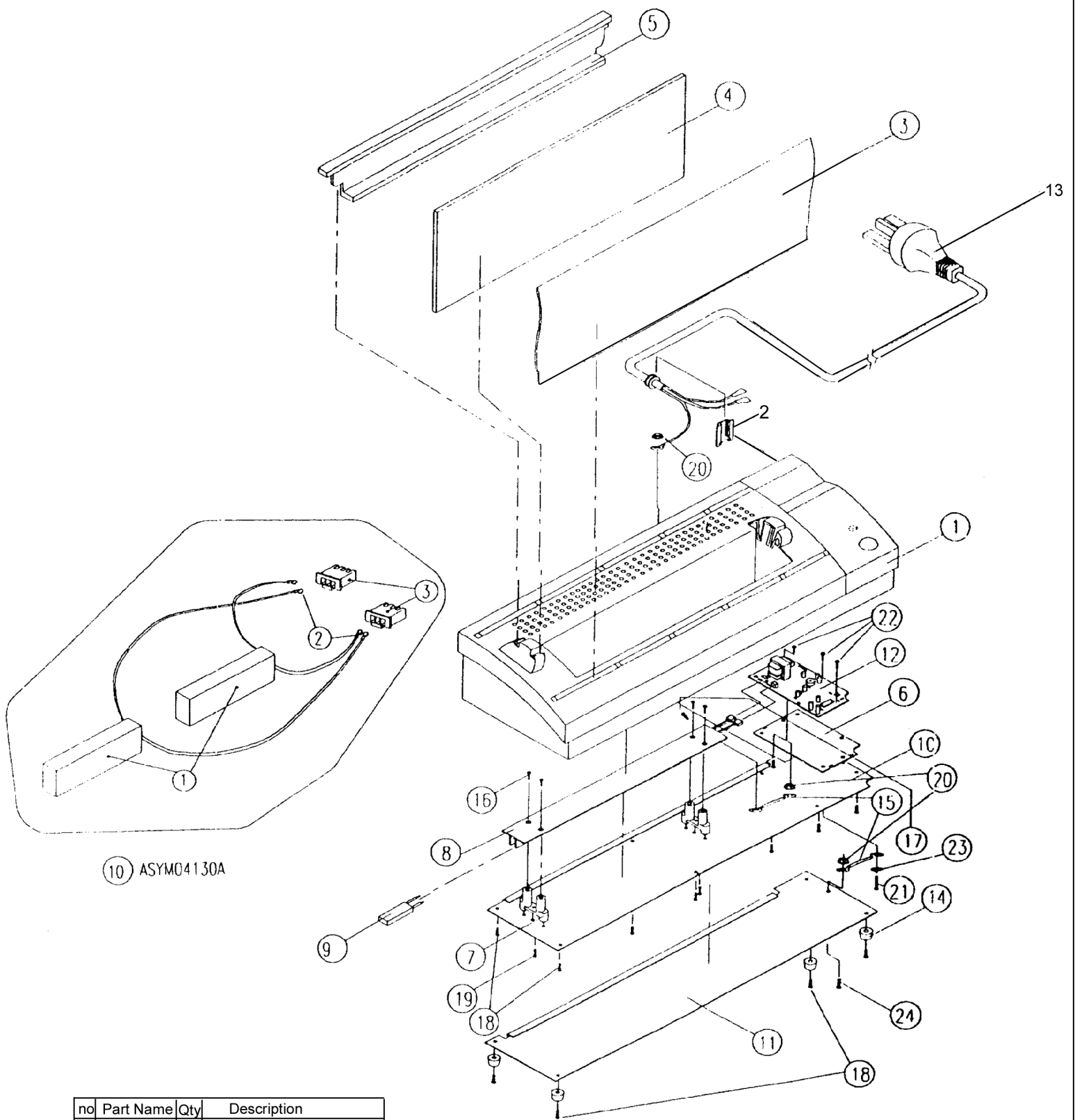


120 T

Parts List



GBC IS AN ACCO BRANDS COMPANY



10 ASYM04130A

no	Part Name	Qty	Description
3	ecnt02250x	2	Terminal Socket
2	ecnt02260x	4	Terminal
1	eothe4000x	2	PTC

MODEL 120 T PARTS DIAGRAM

120T THERM-A-BIND PARTS LIST

ITEM NUMBER	PART NUMBER	DESCRIPTION	QTY
1	1740222	HOUSING	1
2	1740223	SR HOLDER	1
3	1740224	SUPPORT 1	1
4	1740225	SUPPORT 2	1
5	1740226	SUPPORT 3	1
6	1740227	PCB HOLDER	1
7	1740228	HEATER PLATE HOLDER	2
8	1740229	HEATER PLATE	1
9	1740232	HEATING ELEMENT ASSEMBLY	1
10	1740233	INNER PLATE	1
11	1740234	BOTTOM PLATE	1
12	1740235	PCB ASSEMBLY	1
13	1740236	POWER CORD & POWER PLUG (NOTE 1)	1
14	1740237	RUBBER FOOT	4
15	1740238	GROUNDING WIRE	2
16	1740239	SCREW #3 x 12 (F)	4
17	1740242	SCREW M3 x 8	1
18	1740243	SCREW #3 x 12 (B)	10
19	1740244	SCREW #3 x 8 (B)	2
20	1740245	NUT & WASHER #4	3
21	1740246	SCREW # 3 x 20	1
22	1740247	SCREW # 3 x 12	3
23	1740248	GEAR WASHER 3.0	1
24	1740249	SCREW "P" M4x8	1

NOTE 1: SPECIFY VOLTAGE, COUNTRY, ASSEMBLY NUMBER WHEN ORDERING.