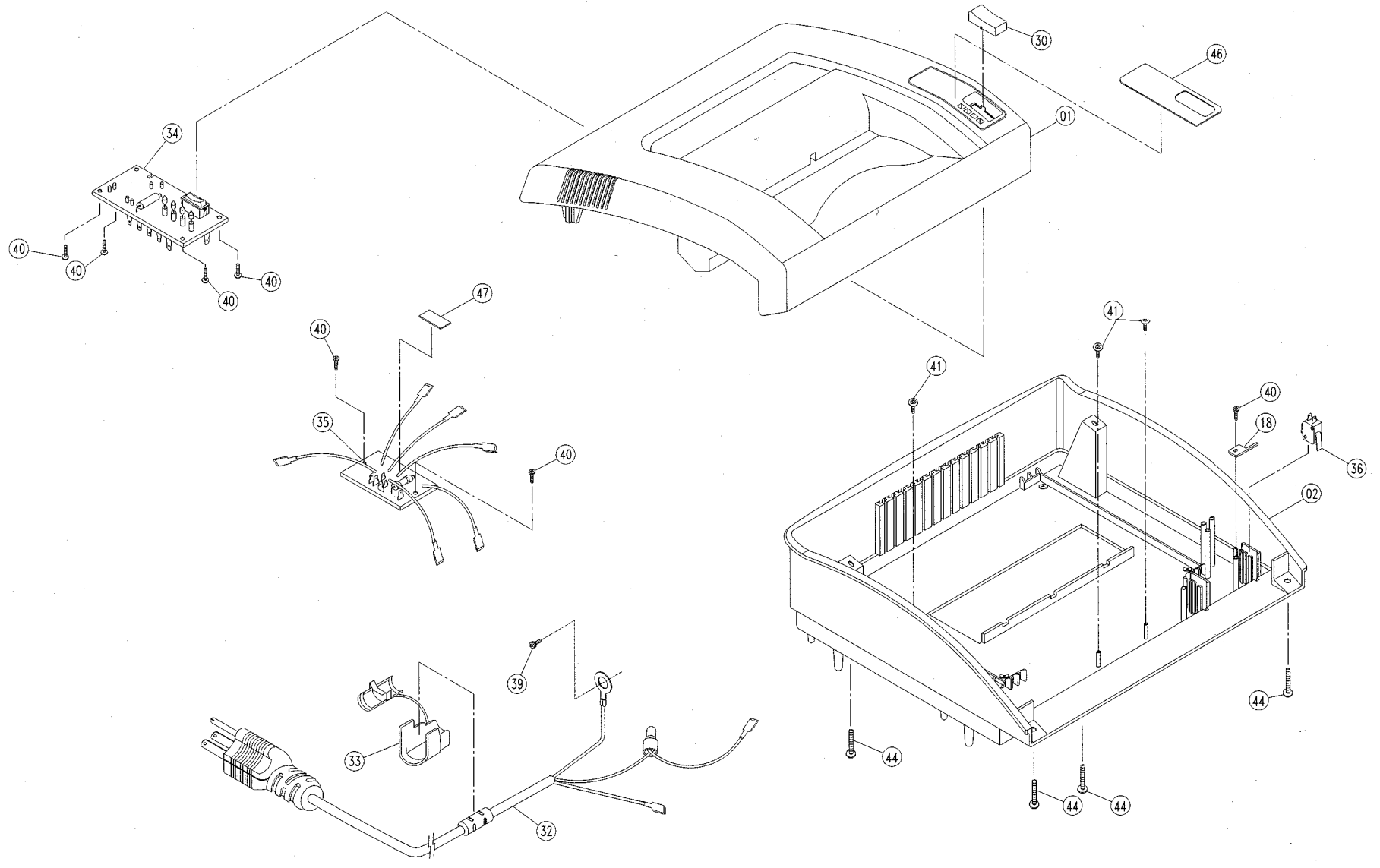




# 1130S Parts List

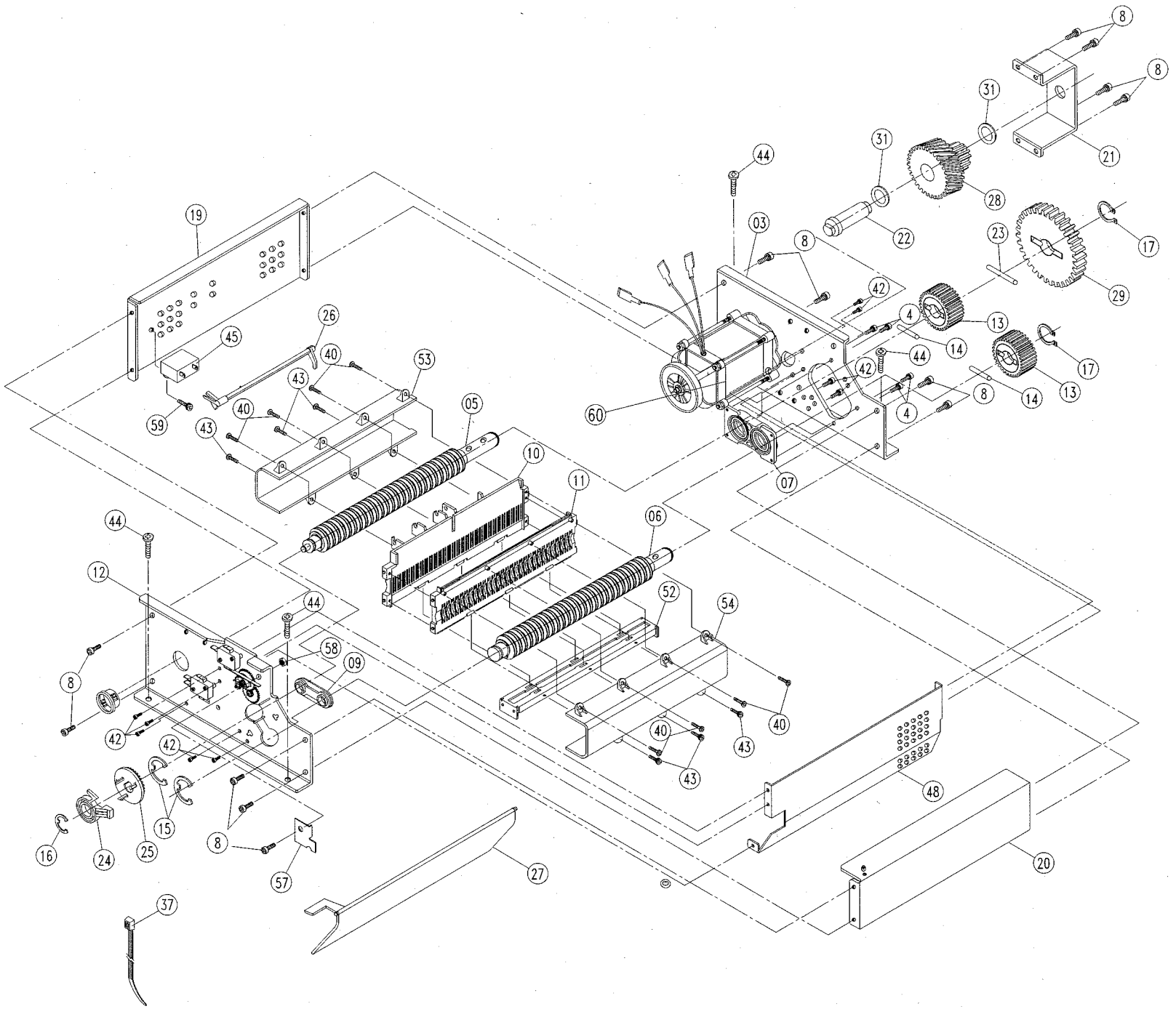
GBC IS AN ACCO BRANDS COMPANY



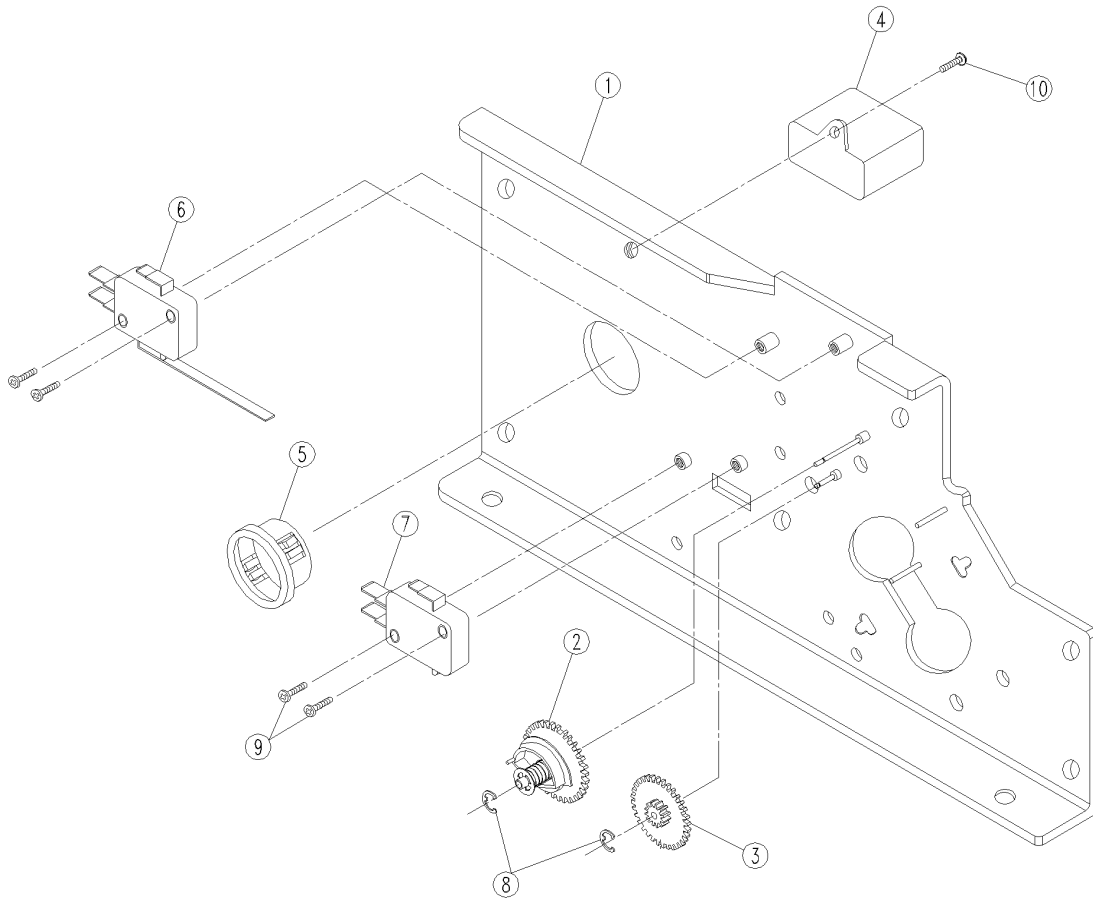


|             |                |                 |                          | <b>QTY</b>  |
|-------------|----------------|-----------------|--------------------------|-------------|
| *           | 1751726        | KL7350000A      | Warning Label            | 1           |
| 46          | 1755742        | XF2503000A      | Name Plate               | 1           |
| 44          | -REF-          | S1VKF00000      | Screw 5X16 Tapping       | 8           |
| 41          | -REF-          | S1DJN0000F      | 3X8 With Washer          | 3           |
| 40          | -REF-          | S1RYN00000      | Screw #3X8 Tap           | 1           |
| 39          | -REF-          | S1VGF0000E      | Screw M4X8 P Gear Washer | 10          |
| 36          | 6202038        | ESWC02270X      | Micro Switch, Door       | 1           |
| 35          | 1751901        | ASYMO7149X      | Fuse PCB                 | 1           |
| 34          | 1751717        | ASYMO736X       | PCB, Control             | 1           |
| 33          | 1751902        | XF0400000X      | Strain Relief Bushing    | 1           |
| 32          | 1751903        | EACC0351SA      | AC Power Cord            | 1           |
| 30          | 1751904        | PW040A068A      | Switch Cap               | 1           |
| 18          | 1755732        | MN2800000X      | Switch Fixer             | 1           |
| 2           | 1751905        | PV241A18ZA      | Bottom-Housing           | 1           |
| 1           | 1751906        | PV230A1E1B      | Housing-Top              | 1           |
| <b>ITEM</b> | <b>PRT NO.</b> | <b>REF. NO.</b> | <b>DESCRIPTION</b>       | <b>115V</b> |

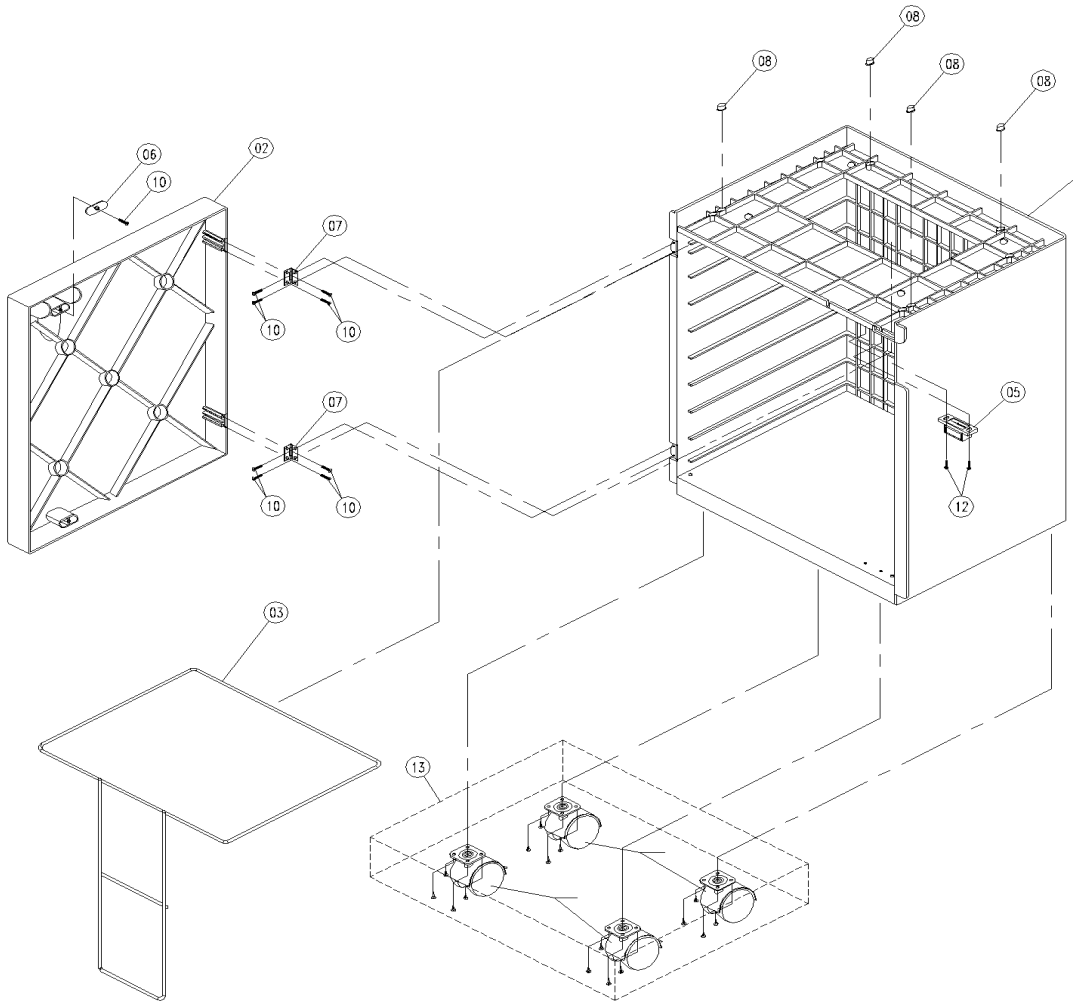
\* Not shown located on the bottom cover



|             |                |                 |                           | QTY         |
|-------------|----------------|-----------------|---------------------------|-------------|
| 60          | 1751767        | EMTR00990A      | 2P AC Motor (2250X)       | 1           |
| 59          | 1755721        | S1W4F0000E      | Screw M4x10 P Gear Washer | 1           |
| 58          | 1755734        | MO140F000X      | Nut M 5x4t                | 1           |
| 57          | 1755733        | MO1300000X      | Trigger Holder            | 1           |
| 54          | 1751926        | PW240XXXXX      | Knife Cover-Front         | 1           |
| 53          | 1751925        | PW250XXXXX      | Knife Cover-Rear          | 1           |
| 52          | 1751924        | ML6300000X      | Paper Guide-Bracket       | 1           |
| 48          | 1755731        | MN1500000X      | Motor Shield              | 1           |
| 45          | 1751923        | ECAP60310X      | Capacitor 30uf/250VAC     | 1           |
| 43          | -REF-          | S1VHF0000E      | Screw M3X8 P Gear Washer  | 6           |
| 42          | 1755741        | S7SLB0000S      | Screw M3x8 Spring Washer  | 9           |
| 37          | -REF-          | EOTH02210X      | Cable Tie                 | 5           |
| 31          | -REF-          | XJ6900000X      | Spacer 12.2 T=0.5         | 2           |
| 29          | 1751708        | PV860D7XXX      | Spur Gear 45T             | 2           |
| 28          | 1751709        | PV850H5XXX      | Gear -A 47T+13T           | 1           |
| 27          | 1751922        | PV300XXXXX      | Flap                      | 1           |
| 26          | 1751716        | PV290XXXXX      | Auto Parts                | 1           |
| 25          | 6180021        | PH820HOXXX      | Auto Gear 32T             | 1           |
| 24          | 1755737        | PARS0XXXXX      | Rev Cam                   | 1           |
| 23          | 1750713        | MM0600000X      | Knife Shaft Pin 6X40MM    | 1           |
| 22          | 1751920        | ML6500000X      | Gear Shaft                | 1           |
| 21          | 1751919        | ML6200000X      | Gear Holder               | 1           |
| 20          | 1755736        | MX3800000X      | Plate-D                   | 1           |
| 19          | 1751917        | ML5000000X      | Plate-C                   | 1           |
| 17          | -REF-          | MC5000000X      | #15 C-Ring                | 2           |
| 16          | -REF-          | MC4700000X      | #5 E-Ring                 | 1           |
| 15          | -REF-          | MC4600000X      | #12 E-Ring                | 2           |
| 14          | 1751915        | MC3400000X      | Knife Pin                 | 2           |
| 13          | 6180029        | MC1000000X      | Spur Gear-A 20T           | 1           |
| 12          | 1755723        | ASYM05833X      | Plate-A Ass'y             | 1           |
| 11          | 1751913        | PV260XXXXX      | Paper Guide - Front       | 1           |
| 10          | 1751912        | PV250XXXXX      | Paper Guide - Rear        | 1           |
| 9           | 1755735        | MP2800000X      | Bushing                   | 1           |
| 8           | 1755738        | S7SJB0000S      | Screw M5x10 Spring Washer | 13          |
| 7           | 1755722        | ASYM05832A      | Bearing Ass'y             | 1           |
| 6           | 1755726        | ASYP08385X      | 4mm Knife Shaft (B) Ass'y | 1           |
| 5           | 1755725        | ASYP08384X      | 4mm Knife Shaft (A) Ass'y | 1           |
| 4           | 1755739        | S7SKB0000S      | Screw M4x8 Spring Washer  | 4           |
| 3           | 1755729        | ML7300000C      | Plate-B                   | 1           |
| <b>ITEM</b> | <b>PRT NO.</b> | <b>REF. NO.</b> | <b>DESCRIPTION</b>        | <b>115V</b> |

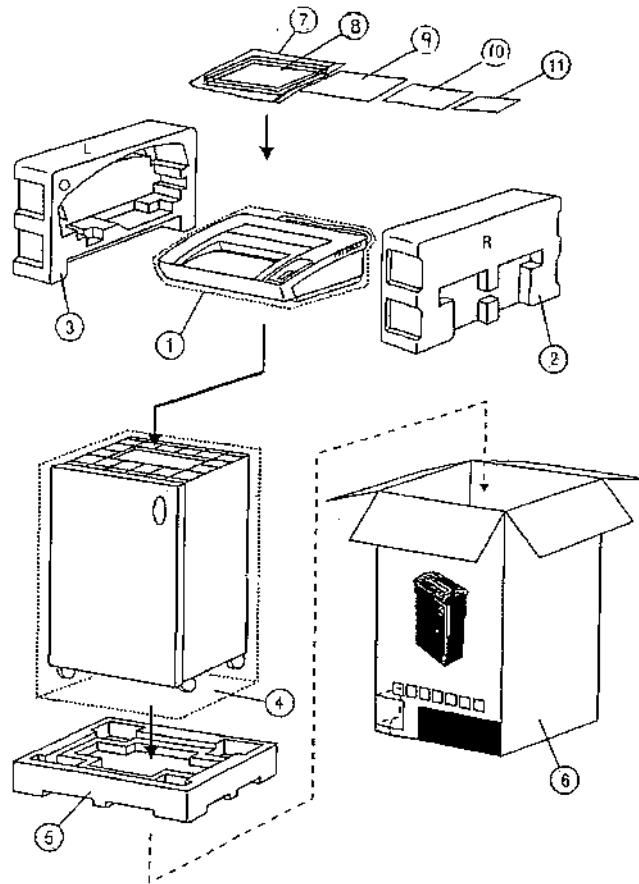


|             |                |                 |                         |             | <b>QTY</b> |
|-------------|----------------|-----------------|-------------------------|-------------|------------|
| 10          | -REF-          | S1VGF0000X      | Screw M4X8P Gear Washer | 1           |            |
| 9           | -REF-          | S1CFNOOOOX      | M3 X 14                 | 2           |            |
| 8           | -REF-          | MA8400000X      | #1.5 E-Ring             | 2           |            |
| 7           | 1751930        | ESWCO2280X      | Micro Switch            | 1           |            |
| 6           | 1750294        | ESWC03000X      | Trigger Switch          | 1           |            |
| 5           | 1751929        | XF1400000X      | Snap Bushings           | 1           |            |
| 4           | 1755727        | ECAP603100      | Capacitor 25uF/250VAC   | 1           |            |
| 3           | 1750308        | PC370HOXXX      | Gear (A)                | 1           |            |
| 2           | 1755724        | ASYMO8395A      | Auto Cam Ass'y          | 1           |            |
| 1           | 1755728        | ML7200000C      | Plate-A                 | 1           |            |
| <b>ITEM</b> | <b>PRT NO.</b> | <b>REF. NO.</b> | <b>DESCRIPTION</b>      | <b>115V</b> |            |



| ITEM        | PRT NO.        | REF. NO.        | DESCRIPTION                | QTY         |
|-------------|----------------|-----------------|----------------------------|-------------|
| 13          | 1751707        | ASYP07137A      | Castor Set                 | 1           |
| 12          | -REF-          | S1VJN0000X      | Screw 3X12 Washer Tapping  | 2           |
| 11          | -REF-          | S1VIF0000X      | Screw M4X14                | 4           |
| 10          | -REF-          | S1VDB0000X      | Screw #3X12 Type P F Black | 9           |
| 8           | 1751946        | XF1100000A      | Cushion                    | 4           |
| 7           | 1751945        | MH1300000A      | Hinge                      | 2           |
| 6           | 1751944        | MM1000000A      | Magnet Plate               | 2           |
| 5           | 1751943        | XF1500000A      | Magnet                     | 2           |
| 4           | 1751942        | MN210Z000A      | Support Bar                | 2           |
| 3           | 1751706        | ML640L900A      | Bag Rim                    | 1           |
| 2           | 1751941        | PV830JOE1A      | Door                       | 1           |
| 1           | 1751940        | ASYM05835A      | Cabinet Ass'y              | 1           |
| <b>ITEM</b> | <b>PRT NO.</b> | <b>REF. NO.</b> | <b>DESCRIPTION</b>         | <b>115V</b> |

\* Not shown



|             |                |                 |                      |             |
|-------------|----------------|-----------------|----------------------|-------------|
| 11          |                | KM3240000X      | Manual (Consign)     | 1           |
| 10          |                | KM2390400X      | Warranty Card        | 1           |
| 9           | 1751955        | KM2981800A      | Operator Manual, U.S | 1           |
| 8           |                | KP8390000X      | P.E Bag              | 1           |
| 7           | 1751954        | KP8400000X      | P.E Bag              | 1           |
| 6           |                | KCN72500A       | Gift Box             | 1           |
| 5           | 1751952        | XG2000000A      | Polyfoam, Bottom     | 1           |
| 4           | 1751951        | KP8380000X      | P.E Bag              | 1           |
| 3           | 1751950        | XG1800000A      | Polyfoam, LH         | 1           |
| 2           | 1751949        | XG1900000A      | Polyfoam, RH         | 1           |
| 1           | 1751948        |                 | Bag, Shredder Head   | 1           |
| <b>ITEM</b> | <b>PRT NO.</b> | <b>REF. NO.</b> | <b>DESCRIPTION</b>   | <b>115V</b> |

|                |                 |                     | <b>QTY</b>  |
|----------------|-----------------|---------------------|-------------|
| 6180029        | MC1000000X      | Spur Gear-A 20T     | 1           |
| 1751707        | ASYP07137A      | Castor Set          | 1           |
| 1751708        | PV860D7XXX      | Spur Gear 45T       | 1           |
| 1751709        | PV850H5XXX      | Gear -A 47T+13T     | 2           |
| 1751716        | PV290XXXXX      | Auto Parts          | 1           |
| 1751717        | ASYMO7367X      | PCB, Control        | 1           |
| 1751767        | EMTR0090A       | 2P AC Motor (2250X) | 1           |
| 1751930        | ESWCO2280X      | Micro Switch        | 1           |
| 1750294        | ESWC03000X      | Trigger Switch      | 1           |
| 1751913        | PV260XXXXX      | Paper Guide-Front   | 1           |
| 1751912        | PV250XXXXX      | Paper Guide-Back    | 1           |
| 1755732        | MN2800000X      | Switch Fixer        | 4           |
| <b>PRT NO.</b> | <b>REF. NO.</b> | <b>DESCRIPTION</b>  | <b>115V</b> |