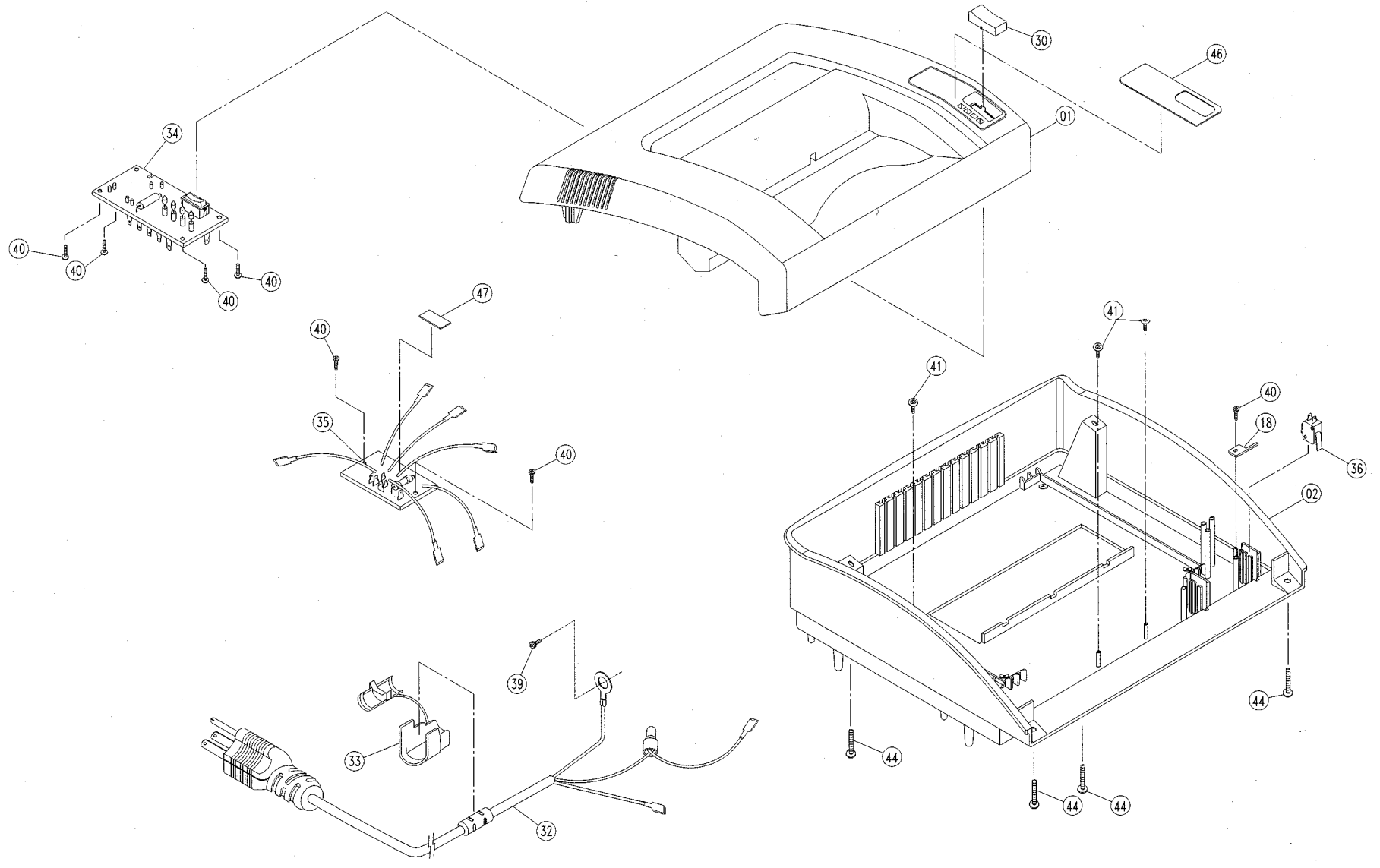
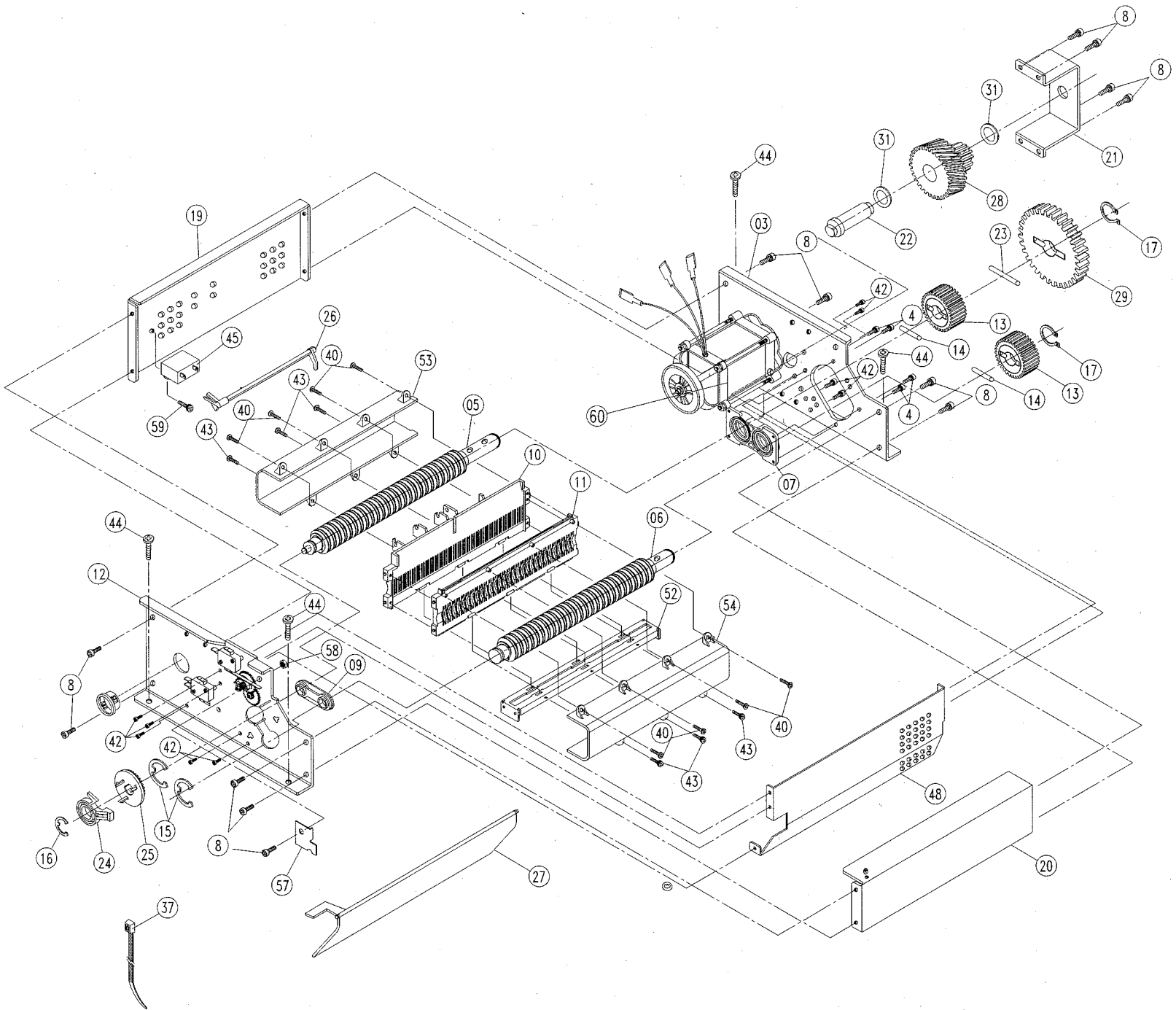


1130 S PARTS LIST

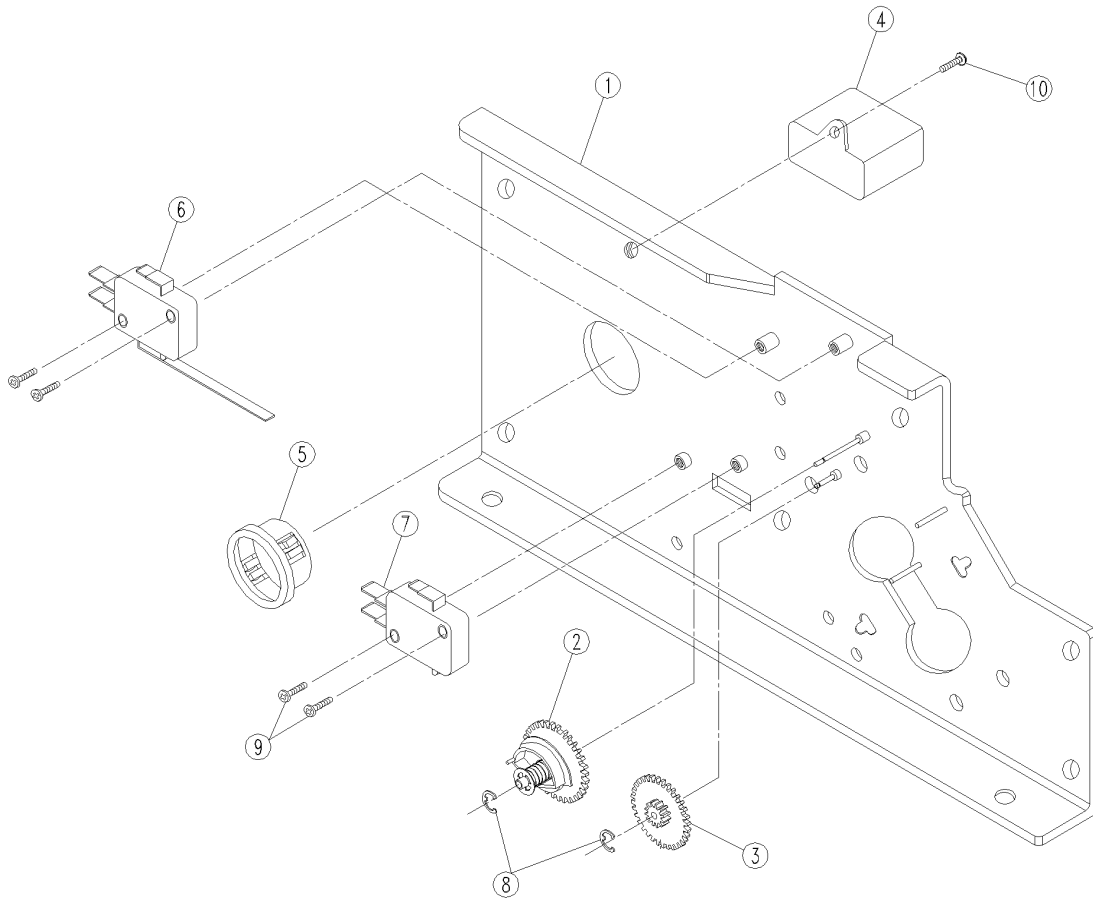


				QTY
*	1751726	KL7350000A	Warning Label	1
46	1755742	XF2503000A	Name Plate	1
44	-REF-	S1VKF00000	Screw 5X16 Tapping	8
41	-REF-	S1DJN0000F	3X8 With Washer	3
40	-REF-	S1RYN00000	Screw #3X8 Tap	1
39	-REF-	S1VGF0000E	Screw M4X8 P Gear Washer	10
36	6202038	ESWC02270X	Micro Switch, Door	1
35	1751901	ASYMO7149X	Fuse PCB	1
34	1751717	ASYMO736X	PCB, Control	1
33	1751902	XF0400000X	Strain Relief Bushing	1
32	1751903	EACC0351SA	AC Power Cord	1
30	1751904	PW040A068A	Switch Cap	1
18	1755732	MN2800000X	Switch Fixer	1
2	1751905	PV241A18ZA	Bottom-Housing	1
1	1751906	PV230A1E1B	Housing-Top	1
ITEM	PRT NO.	REF. NO.	DESCRIPTION	115V

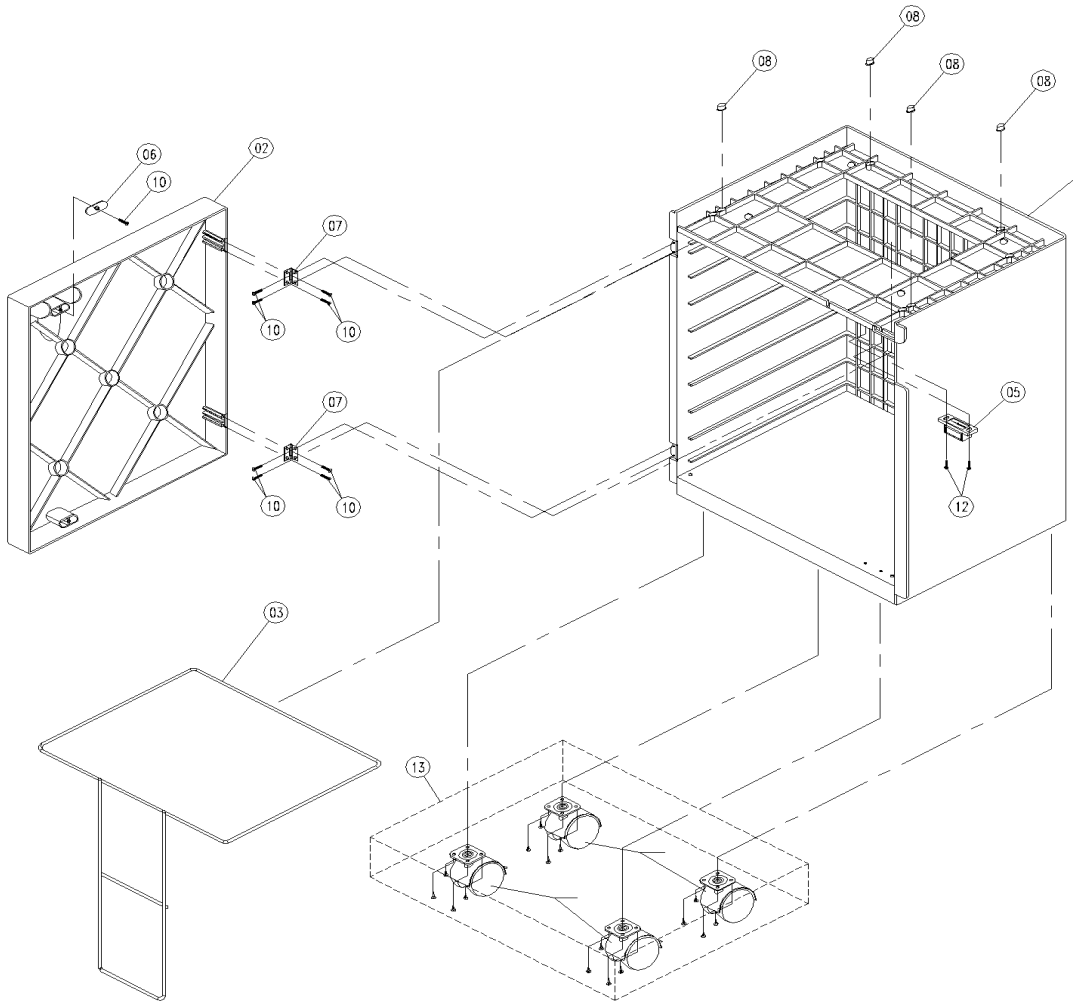
* Not shown located on the bottom cover



				QTY
60	1751767	EMTR00990A	2P AC Motor (2250X)	1
59	1755721	S1W4F0000E	Screw M4x10 P Gear Washer	1
58	1755734	MO140F000X	Nut M 5x4t	1
57	1755733	MO1300000X	Trigger Holder	1
54	1751926	PW240XXXXX	Knife Cover-Front	1
53	1751925	PW250XXXXX	Knife Cover-Rear	1
52	1751924	ML6300000X	Paper Guide-Bracket	1
48	1755731	MN1500000X	Motor Shield	1
45	1751923	ECAP60310X	Capacitor 30uf/250VAC	1
43	-REF-	S1VHF0000E	Screw M3X8 P Gear Washer	6
42	1755741	S7SLB0000S	Screw M3x8 Spring Washer	9
37	-REF-	EOTH02210X	Cable Tie	5
31	-REF-	XJ6900000X	Spacer 12.2 T=0.5	2
29	1751708	PV860D7XXX	Spur Gear 45T	2
28	1751709	PV850H5XXX	Gear -A 47T+13T	1
27	1751922	PV300XXXXX	Flap	1
26	1751716	PV290XXXXX	Auto Parts	1
25	6180021	PH820HOXXX	Auto Gear 32T	1
24	1755737	PARS0XXXXX	Rev Cam	1
23	1750713	MM0600000X	Knife Shaft Pin 6X40MM	1
22	1751920	ML6500000X	Gear Shaft	1
21	1751919	ML6200000X	Gear Holder	1
20	1755736	MX3800000X	Plate-D	1
19	1751917	ML5000000X	Plate-C	1
17	-REF-	MC5000000X	#15 C-Ring	2
16	-REF-	MC4700000X	#5 E-Ring	1
15	-REF-	MC4600000X	#12 E-Ring	2
14	1751915	MC3400000X	Knife Pin	2
13	6180029	MC1000000X	Spur Gear-A 20T	1
12	1755723	ASYM05833X	Plate-A Ass'y	1
11	1751913	PV260XXXXX	Paper Guide - Front	1
10	1751912	PV250XXXXX	Paper Guide - Rear	1
9	1755735	MP2800000X	Bushing	1
8	1755738	S7SJB0000S	Screw M5x10 Spring Washer	13
7	1755722	ASYM05832A	Bearing Ass'y	1
6	1755726	ASYP08385X	4mm Knife Shaft (B) Ass'y	1
5	1755725	ASYP08384X	4mm Knife Shaft (A) Ass'y	1
4	1755739	S7SKB0000S	Screw M4x8 Spring Washer	4
3	1755729	ML7300000C	Plate-B	1
ITEM	PRT NO.	REF. NO.	DESCRIPTION	115V

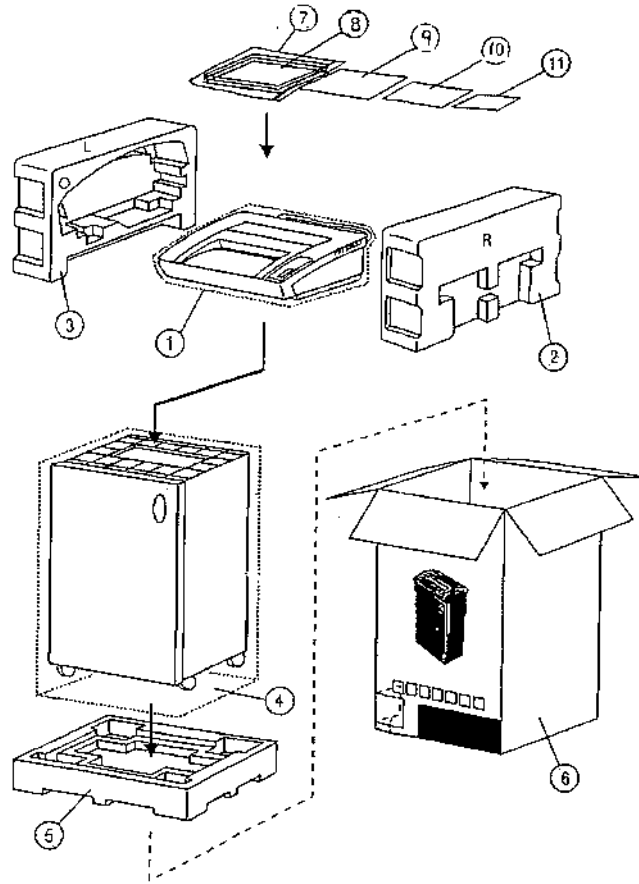


					QTY
10	-REF-	S1VGF0000X	Screw M4X8P Gear Washer	1	
9	-REF-	S1CFNOOOOX	M3 X 14	2	
8	-REF-	MA8400000X	#1.5 E-Ring	2	
7	1751930	ESWCO2280X	Micro Switch	1	
6	1750294	ESWC03000X	Trigger Switch	1	
5	1751929	XF1400000X	Snap Bushings	1	
4	1755727	ECAP603100	Capacitor 25uF/250VAC	1	
3	1750308	PC370HOXXX	Gear (A)	1	
2	1755724	ASYMO8395A	Auto Cam Ass'y	1	
1	1755728	ML7200000C	Plate-A	1	
ITEM	PRT NO.	REF. NO.	DESCRIPTION	115V	



ITEM	PRT NO.	REF. NO.	DESCRIPTION	QTY
13	1751707	ASYP07137A	Castor Set	1
12	-REF-	S1VJN0000X	Screw 3X12 Washer Tapping	2
11	-REF-	S1VIF0000X	Screw M4X14	4
10	-REF-	S1VDB0000X	Screw #3X12 Type P F Black	9
8	1751946	XF1100000A	Cushion	4
7	1751945	MH1300000A	Hinge	2
6	1751944	MM1000000A	Magnet Plate	2
5	1751943	XF1500000A	Magnet	2
4	1751942	MN210Z000A	Support Bar	2
3	1751706	ML640L900A	Bag Rim	1
2	1751941	PV830JOE1A	Door	1
1	1751940	ASYM05835A	Cabinet Ass'y	1
ITEM	PRT NO.	REF. NO.	DESCRIPTION	115V

* Not shown



11		KM3240000X	Manual (Consign)	1
10		KM2390400X	Warranty Card	1
9	1751955	KM2981800A	Operator Manual, U.S	1
8		KP8390000X	P.E Bag	1
7	1751954	KP8400000X	P.E Bag	1
6		KCN72500A	Gift Box	1
5	1751952	XG2000000A	Polyfoam, Bottom	1
4	1751951	KP8380000X	P.E Bag	1
3	1751950	XG1800000A	Polyfoam, LH	1
2	1751949	XG1900000A	Polyfoam, RH	1
1	1751948		Bag, Shredder Head	1
ITEM	PRT NO.	REF. NO.	DESCRIPTION	115V

			QTY
6180029	MC1000000X	Spur Gear-A 20T	1
1751707	ASYP07137A	Castor Set	1
1751708	PV860D7XXX	Spur Gear 45T	1
1751709	PV850H5XXX	Gear -A 47T+13T	2
1751716	PV290XXXXX	Auto Parts	1
1751717	ASYMO7367X	PCB, Control	1
1751767	EMTR0090A	2P AC Motor (2250X)	1
1751930	ESWCO2280X	Micro Switch	1
1750294	ESWC03000X	Trigger Switch	1
1751913	PV260XXXXX	Paper Guide-Front	1
1751912	PV250XXXXX	Paper Guide-Back	1
1755732	MN2800000X	Switch Fixer	4
PRT NO.	REF. NO.	DESCRIPTION	115V

Cross-Cut and Straight-Cut office shredders must be periodically lubricated for optimum performance. A good indicator when to lubricate the cutters is when a decrease in sheet capacity is noticed. Following the steps below will help to restore sheet capacity and will keep your shredder in top working order.

⚠️ WARNING

GBC recommends only Shredmaster lubricant which is non-flammable, non-aerosol and biodegradable. The use of other lubricants, aerosols or pump sprays, may be a fire or combustion hazard due to the solvent content, atomization, or the propellant.



LUBRICATION PROCEDURE



Method A

1. Turn the shredder off.
2. Liberally apply the lubricant directly into the shredder throat area from side to side.
3. Turn the shredder on and shred a few sheets of paper.
4. Reverse the shredder momentarily to help distribute the lubricant throughout the cutters.

Method B

1. Pour a steady stream of lubricant across scrap sheets of paper.
2. Turn shredder on, shred the lubricated sheets.
3. When shredding is complete, reverse the shredder to help distribute the lubricant throughout the cutters.

Your shredder is ready for use!

GBC Shredmaster Synthetic lubricant (part# 1760049) is available in sixteen ounce bottles through **GBC** National Service or your local **GBC** Shredmaster dealer. To phone in your order please call:

U.S.: 800.790.7787

Canada: 800.463.2545

QUARTET[®]
A **GBC** COMPANY

Skokie, IL 60077 USA

www.gbcshredmaster.com

Email: gbcshredmaster@quartetgbc.com