



# 111PM-3 PARTS LIST



GBC IS AN ACCO BRANDS COMPANY



# 111 PM - 3 Parts List



GBC IS AN ACCO BRANDS COMPANY

## **8.0 PARTS LIST**

All parts in each illustration are keyed with an Index Number (i.e. 1,2,3,4, etc...) for reference to the respective Part Number, Description, and Quantity in the respective parts list. Not all parts are used in each model and will be indicated as such in the Description column. National Service Parts Department carries a large quantity of parts, however many hardware related parts can be obtained locally at numerous hardware and electronic outlets. The individual description of these parts will include in the Parts Description of each diagram.

When ordering service parts, always include the following information:

1. Machine Model Number
2. Machine Serial Number
3. Part Number
4. Part Description
5. Quantity Required
6. Account Number
7. Payment Method
8. Shipping Method
9. Shipping Location (if different than account number bill-to)

**PLEASE CONTACT GBC NATIONAL SERVICE PARTS AT 1-800-790-7787 FOR ANY QUESTIONS REGARDING SERVICE PARTS ISSUES.**

Figure 8.1

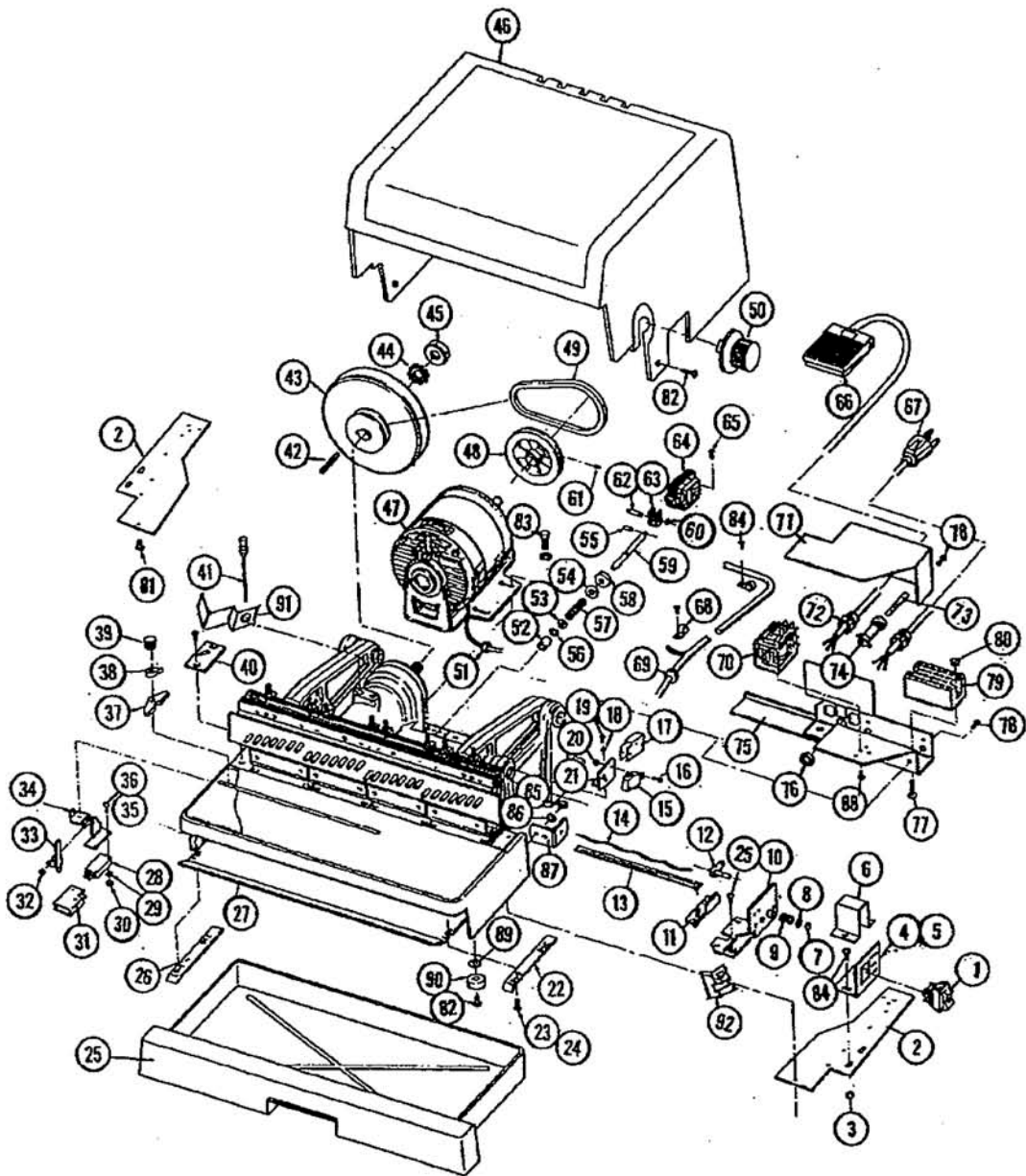


FIGURE 8.1

| ITEM | P/N                | DESCRIPTION  | QTY          |              |
|------|--------------------|--|--------------|--------------|
|      |                    |  | 115V         | 230V         |
| 1    | 1128741            | Switch, control  | 1            | 1            |
| 2    | 1107247            | Cover, switch protective                                   | 2            | 2            |
| 3    | 1926802            | Nut, 8-32  | 3            | 3            |
| 4    | 1128204            | Bracket, control switch SILVER, (7701672 IS BLACK)         | 1            | 1            |
| 5    | 1128418            | Label, control switch                                      | 1            | 1            |
| 6    | 1128209            | Guard, control switch                                      | 1            | 1            |
| 7    | 1930510            | Retaining ring   | 1            | 1            |
| 8    | 1925214            | Washer, ID=17/64 OD=1/2                                    | 1            | 1            |
| 9    | 1101430            | Spring, backgauge pinion                                   | 1            | 1            |
| 10   | 1118805            | Mount  | 1            | 1            |
| 11   | 1106976            | Rack   | 1            | 1            |
| 12   | 1118804            | Pinion & shaft assembly                                    | 1            | 1            |
| 13   | <del>1118800</del> | <del>Backgauge bar</del>                                   | <del>1</del> | <del>1</del> |
| 14   | 1100867            | Spring, backgauge bar                                      | 1            | 1            |
| 15   | 1128219            | Switch, underarm (Can use 7703239 Switch Assy ECO -E10127) | 1            | N/A          |
|      | 1128132            | Switch, underarm   | N/A          | 1            |
| 16   | 1902840            | Screw, 4-40 x 3/4  | 2            | 2            |
| 17   | 1128208            | Guard, underarm switch                                     | 1            | 1            |
| 18   | 1925904            | Lockwasher, #6   | 2            | 2            |
| 19   | 1907902            | Screw, 6-32 x 3/8  | 4            | 4            |
| 20   | 1926804            | Nut, 4-40  | 2            | 2            |
| 21   | 1103795            | Bracket, switch mounting (Can use 7703238)                 | 1            | 1            |
| 22   | 1100122            | Drawer guide, RH   | 1            | 1            |
| 23   | 1128182            | Shoulder bolt, 10-32 x 9/32                                | 4            | 4            |
| 24   | 1128183            | Spring   | 4            | 4            |
| 25   | 7701635            | Chip drawer  | 1            | 1            |
| 26   | 1100150            | Drawer guide, LH   | 1            | 1            |
| 27   | 1101379            | Shield   | 1            | 1            |
| 28   | 7701613            | Table switch   | 1            | 1            |
| 29   | 1925805            | Lockwasher   | 2            | 2            |
| 30   | 1926714            | Nut, 2-56  | 3            | 3            |
| 31   | 1131972            | Insulator, switch  | 1            | 1            |
| 32   | 1931603            | Grip ring 5/8  | 1            | 1            |
| 33   | 1103610            | Lever  | 1            | 1            |
| 34   | 7701614            | Bracket, table switch                                      | 1            | 1            |
| 35   | 1925129            | Flat washer, #4  | 5            | 5            |
| 36   | 1902868            | Screw, 2-56 x 7/8  | 2            | 2            |
| 37   | 7701631            | Edge guide   | 1            | 1            |
| 38   | 7701637            | Locking collar   | 1            | 1            |
| 39   | 7701638            | Dome knob, edge guide                                      | 1            | 1            |
| 40   | 1118807            | Backgauge guide  | 1            | 1            |
| 41   | 1128158            | Dip stick  | 1            | 1            |
| 42   | 1100178            | Key, flywheel  | 1            | 1            |
| 43   | 1100963            | Flywheel   | 1            | 1            |
| 44   | 1118803            | Lockwasher   | 1            | 1            |
| 45   | 1103767            | Jam nut, 5/8 - 18 LH thread                                | 1            | 1            |
| 46   | 7701632            | Cover  | 1            | 1            |
| 47   | 1118839            | 115V motor   | 1            | N/A          |
|      | 1100190            | 230V motor   | N/A          | 1            |
| 48   | 1107242            | Pulley, motor  | 1            | 1            |
| 49   | 1100195            | V-belt   | 1            | 1            |
| 50   | 7701636            | Knob, backgauge  | 1            | 1            |
| 51   | 1954013            | Grommet  | 1            | 1            |
| 52   | 1952218            | Bushing, clutch pin  | 1            | 1            |

FIGURE 8.1 (continued)

| ITEM | P/N     | DESCRIPTION                                       | QTY  |      |
|------|---------|---|------|------|
|      |         |   | 115V | 230V |
| *53  | 1100164 | Washer, spring retainer                           | 1    | 1    |
| *54  | 1103739 | Washer, clutch pin                                | 1    | 1    |
| *55  | 1929215 | Roll pin  | 1    | 1    |
| *56  | 1930501 | Retaining ring                                    | 1    | 1    |
| *57  | 1100069 | Spring, clutch pin                                | 1    | 1    |
| *58  | 1103733 | Oil seal  | 1    | 1    |
| *59  | 1118834 | Clutch pin  | 1    | 1    |
|      | 7703266 | <i>Clutch pin assembly complete (items 53-59)</i> | 1    | 1    |
| *60  | 1930518 | Retaining ring                                    | 2    | 2    |
| 61   | 1900056 | Set screw, 5/16 - 18 x ¼                          | 1    | 1    |
| *62  | 1118830 | Shaft, solenoid                                   | 1    | 1    |
| *63  | 1118831 | Link, solenoid                                    | 1    | 1    |
| *64  | 1128136 | Solenoid 230 V                                    | N/A  | 1    |
|      | 1118833 | <i>Solenoid complete (items 60, 62-64) 115 V</i>  | 1    | N/A  |
| 65   | 1902919 | Screw, 6-32 x 5/16                                | 4    | 4    |
| 66   | 1101896 | Foot switch, electric type 115V                   | 1    | N/A  |
|      | 1128156 | <i>Foot switch, electric type 230V</i>            | N/A  | 1    |
|      | 6190011 | <i>Foot switch, pneumatic type</i>                | 1    | 1    |
|      | 6202046 | <i>Switch, pneumatic</i>                          | 1    | 1    |
| 67   | 1128157 | Power cord 115V                                   | 1    | N/A  |
|      | 1119138 | Power cord 230V                                   | N/A  | 1    |
|      | 6200001 | <i>Power cord 115V (new style)</i>                | 1    | N/A  |
|      | 1132289 | <i>Receptical, power cord (new style cord)</i>    | 1    | N/A  |
| 68   | 1931001 | Clamp   | 2    | 2    |
| 69   | 1954008 | Grommet   | 1    | 1    |
| 70   | 1103754 | Relay 115V  | 1    | N/A  |
|      | 1154238 | Relay 230V  | N/A  | 1    |
| 71   | N/A     |   |      |      |
| 72   | 1952417 | Strain relief                                     | 1    | N/A  |
|      | 1952414 | Strain relief                                     | N/A  | 1    |
| 73   | 1103554 | 1A fuse   | 1    | N/A  |
|      | 1103048 | 1A fuse   | N/A  | 1    |
| 74   | 1132343 | Fuse holder                                       | 1    | 1    |
| 75   | 1128214 | Bracket, electric                                 | 1    | 1    |
| 76   | 1128217 | Spacer, fuse holder                               | 1    | 1    |
| 77   | 1902812 | Screw, 6-32 x 7/8                                 | 2    | 2    |
| 78   | 1907803 | Screw, 6-32 x 3/8                                 | 2    | 2    |
| 79   | 1107215 | Terminal block                                    | 1    | 1    |
| 80   | 1926801 | Nut   | 2    | 2    |
| 81   | 1907810 | Screw, 8-32 x 3/8                                 | 6    | 6    |
| 82   | 1902807 | Screw, ¼ - 20 x ¾                                 | 8    | 8    |
|      | 7701634 | Washer  | 4    | 4    |
| 83   | 1903204 | Screw, 5/16 - 18 x ½                              | 4    | 4    |
| 84   | 1911131 | Screw, 8-32 x 3/8                                 | 3    | 3    |
| 85   | 1902801 | Screw, ¼ - 20 x 5/8                               | 8    | 8    |
| 86   | 1926002 | Lockwasher  | 4    | 4    |
| 87   | 7701639 | Bracket, cover                                    | 2    | 2    |
| 88   | 1911121 | Screw, 6-32 x ½                                   | 1    | 1    |
| 89   | 1100180 | Washer  | 4    | 4    |
| 90   | 1100228 | Rubber foot                                       | 4    | 4    |
| 91   | 1136699 | Finger guard, LH                                  | 1    | 1    |
| 92   | 1136698 | Finger guard, RH                                  | 1    | 1    |

Figure 8.2

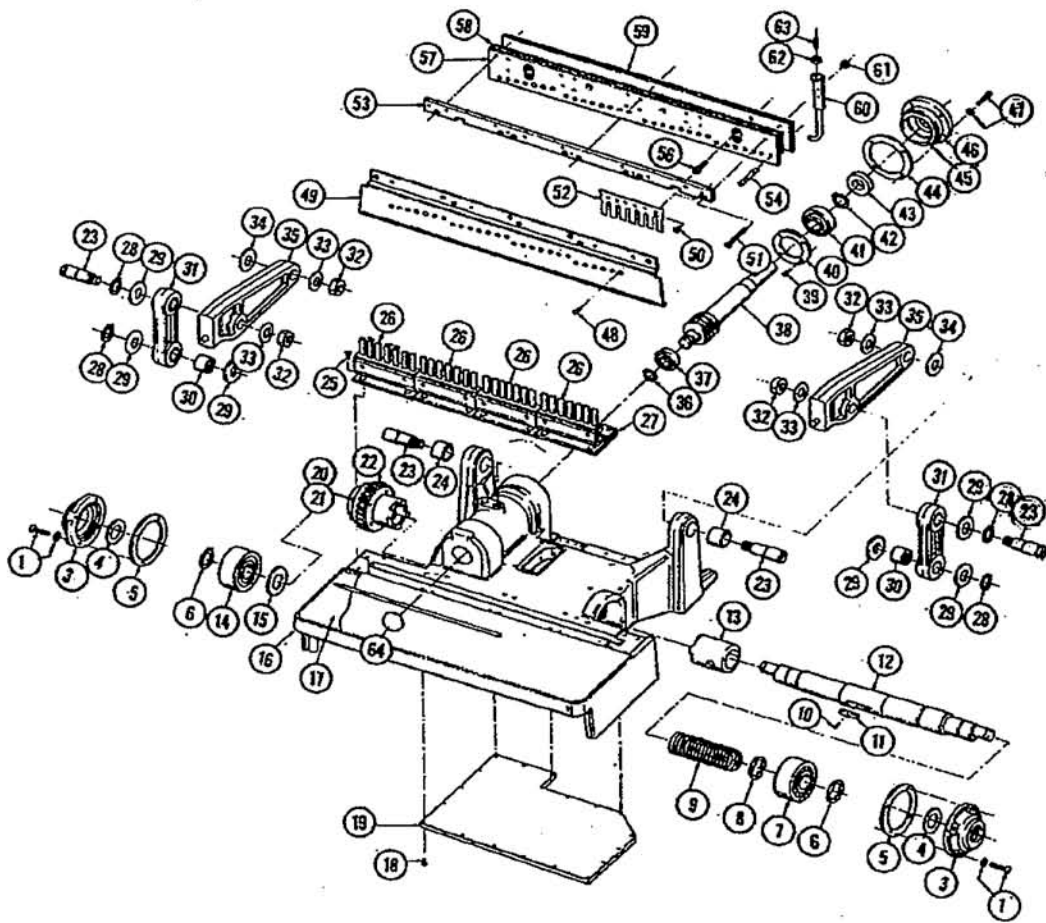


FIGURE 8.2

| ITEM | P/N     | DESCRIPTION                                | QTY  |      |
|------|---------|--|------|------|
|      |         |  | 115V | 230V |
| 1    | 1911117 | Screw, 10-32 x 7/8                         | 8    | 8    |
|      | 1925207 | Washer ID                                  | 12   | 12   |
| 3    | 1132121 | Bearing cap                                | 2    | 2    |
| 4    | 1101299 | Oil seal                                   | 2    | 2    |
| 5    | 1132120 | Gasket, bearing cap                        | 2    | 2    |
| 6    | 1930504 | Retainer, tru-arc                          | 2    | 2    |
| 7    | 1100056 | Bearing                                    | 1    | 1    |
| 8    | 1930506 | Retainer, tru-arc                          | 1    | 1    |
| 9    | 1100066 | Spring, clutch                             | 1    | 1    |
| 10   | 1900501 | Screw, 5/16 - 18 x 1 1/4                   | 1    | 1    |
| 11   | 1100065 | Key, clutch jaw                            | 1    | 1    |
| 12   | 1100055 | Crankshaft                                 | 1    | 1    |
| 13   | 1100064 | Clutch jaw                                 | 1    | 1    |
| 14   | 1100073 | Bearing w/snap ring                        | 1    | 1    |
| 15   | 1100182 | Stop washer                                | 1    | 1    |
| 16   | 7701640 | Base                                       | 1    | 1    |
| 17   | 7701630 | Table laminate(White)                      | 1    | 1    |
| 18   | 1903207 | Screw, 10-32 x 3/8                         | 19   | 19   |
| 19   | 1100898 | Cover, bottom                              | 1    | 1    |
|      | 1100035 | Gasket, bottom cover                       | 1    | 1    |
| 20   | 1900503 | Screw, 10-32 x 1/4                         | 4    | 4    |
| 21   | 1926001 | Washer #10                                 | 4    | 4    |
| 22   | 1100244 | Worm gear assembly                         | 1    | 1    |
| 23   | 6210037 | Wrist pin                                  | 4    | 4    |
| 24   | 1952224 | Bushing, pivot pin                         | 2    | 2    |
| 25   | 1902601 | Screw, 10-32 x 3/8                         | 11   | 11   |
| 26   | 1152027 | Die (Radius Die 1131181)                   | 4    | 4    |
| 27   | 1907405 | Screw, 10-32 x 5/8                         | 8    | 8    |
| 28   | 1930507 | Retaining ring                             | 4    | 4    |
| 29   | 1925116 | Flatwasher                                 | 6    | 6    |
| 30   | N/A     |  |      |      |
| 31   | 1100050 | Connecting rod w/ bronze bearing (item 30) | 2    | 2    |
| 32   | 1926612 | Jam nut 1/2 - 20                           | 4    | 4    |
| 33   | 1925808 | Lockwasher                                 | 4    | 4    |
| 34   | 1100024 | Washer                                     | 2    | 2    |
| 35   | 1103727 | Pressure bar arm                           | 2    | 2    |
| 36   | 1930502 | Retainer, tru-arc                          | 1    | 1    |
| 37   | 1100079 | Bearing                                    | 1    | 1    |
| 38   | 1100984 | Worm shaft                                 | 1    | 1    |
| 39   | 1900532 | Screw, 8-32 x 1/4                          | 4    | 4    |
| 40   | 1100209 | Bearing clamp                              | 1    | 1    |
| 41   | 1100210 | Bearing                                    | 1    | 1    |
| 42   | 1930503 | Retaining ring                             | 1    | 1    |
| 43   | 1100081 | Oil seal                                   | 1    | 1    |
| 44   | 1100082 | Gasket, bearing retainer                   | 1    | 1    |
| 45   | N/A     |  |      |      |
| 46   | 1100080 | Bearing retainer                           | 1    | 1    |
| 47   | 1911107 | Screw, 10-32 x 5/8                         | 4    | 4    |
|      | 1925207 | Washer ID                                  | 12   | 12   |
| 48   | 1911104 | Screw, 8-32 x 5/16                         | 4    | 4    |
| 49   | 7701633 | Cover, pressure bar (Black Cover 7701620)  | 1    | 1    |
| 50   | 1902508 | Screw, 8-32 x 1/4                          | 8    | 8    |
| 51   | 1900609 | Screw, 10-32 x 1 1/4                       | 8    | 8    |
| 52   | 1100131 | Punch pin spring                           | 4    | 4    |
| 53   | 1103797 | Spacer, pressure bar front                 | 2    | 2    |
| 54   | 1103734 | Punch pin                                  | 28   | 28   |
| 56   | 1964504 | Screw, 5/16 x 18 x 1                       | 2    | 2    |
| 57   | 1103716 | Front, pressure bar                        | 1    | 1    |
| 58   | 1103715 | Spacer, pressure bar                       | 3    | 3    |
| 59   | 1103714 | Rear, pressure bar                         | 1    | 1    |
| 60   | 1103718 | Stripper                                   | 8    | 8    |

FIGURE 8.2 (continued)

| <i>ITEM</i> | <i>P/N</i> | <i>DESCRIPTION</i>    | <i>QTY</i>  |             |
|-------------|------------|-----------------------|-------------|-------------|
|             |            |                       | <i>115V</i> | <i>230V</i> |
| 61          | 1927000    | Nut, 10-32            | 8           | 8           |
| 62          | 1926702    | Nut, 10-32            | 8           | 8           |
| 63          | 1900041    | Set screw 10-32 x 1/2 | 8           | 8           |
| 64          | 1100030    | Expansion plug        | 1           | 1           |