



111 PM - 2 Parts List



GBC IS AN ACCO BRANDS COMPANY

8.0 PARTS LIST

All parts in each illustration are keyed with an Index Number (i.e. 1,2,3,4, etc...) for reference to the respective Part Number, Description, and Quantity in the respective parts list. Not all parts are used in each model and will be indicated as such in the Description column. National Service Parts Department carries a large quantity of parts, however many hardware related parts can be obtained locally at numerous hardware and electronic outlets. The individual description of these parts will include in the Parts Description of each diagram.

When ordering service parts, always include the following information:

1. Machine Model Number
2. Machine Serial Number
3. Part Number
4. Part Description
5. Quantity Required
6. Account Number
7. Payment Method
8. Shipping Method
9. Shipping Location (if different than account number bill-to)

PLEASE CONTACT GBC NATIONAL SERVICE PARTS AT 1-800-790-7787 FOR ANY QUESTIONS REGARDING SERVICE PARTS ISSUES.

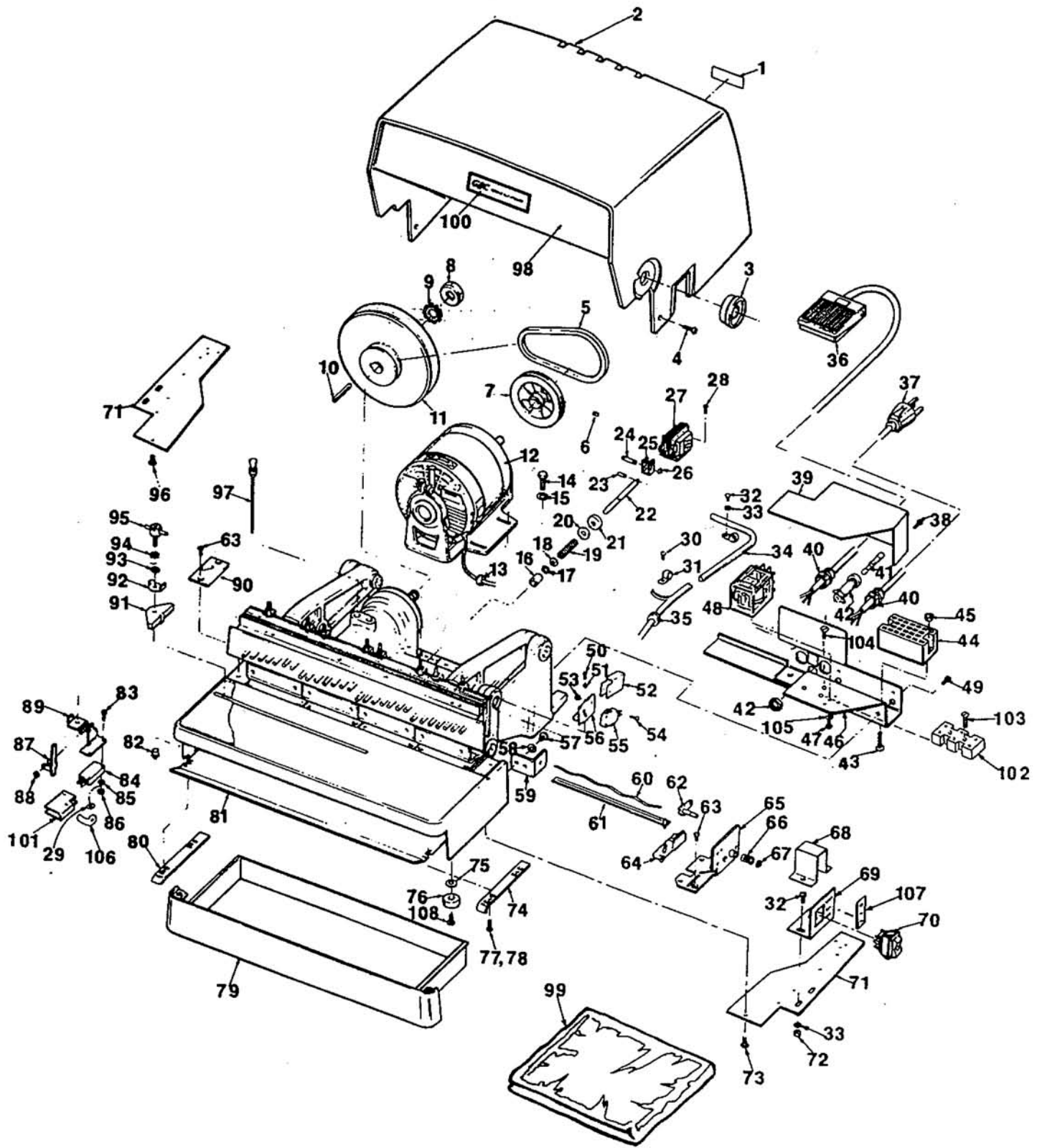


FIGURE 8.0.1

FIGURE 8.0.1

INDEX NUMBER	PART NUMBER	PART NAME	QUANTITY	
			115 VAC	230 VAC
1	OBSOLETE	LABEL, CAUTION	1	1
2	OBSOLETE	COVER, WITH DECORATIVE PANEL		1
3	OBSOLETE	KNOB, BACK GAGE	1	1
4	1902807	SCREW, 1/4-20 X 5/8.	4	4
4	1128150	WASHER (PAINTED)	4	4
5	1100195	V-BELT	1	1
6	1900056	SETSCREW, 5/16-18 X 1/4.	1	1
7	1107242	PULLEY	1	1
8	1103767	NUT, HEX (L.H. THREAD)	1	1
9	1118803	LOCK WASHER, BEARING	1	1
10	1100178	KEY.	1	1
11	1100963	FLYWHEEL	1	1
12	1118839	MOTOR.	1	
12	1100190	MOTOR.		1
13	1954013	GROMMET.	1	1
14	1951901	CAP SCREW, 5/16-18 X 1/2 HEX HEAD.	4	4
15	1925902	LOCK WASHER, 5/16 EXT. TOOTH	4	4
16	1952218	BUSHING, CLUTCH PIN.	1	1
* 17		RETAINER, CLUTCH PIN	1	1
* 18		WASHER, SPRING RETAINER.	1	1
* 19		SPRING, CLUTCH PIN	1	1
* 20		WASHER, CLUTCH PIN	1	1
* 21		OIL SEAL, CLUTCH PIN	1	1
* 22		PIN, CLUTCH.	1	1
* 23		ROLL PIN, CLUTCH PIN	1	1
** 24		SHAFT, SOLENOID.	1	1
** 25		LINK, SOLENOID	1	1
** 26		RETAINING RING, SOLENOID	2	2
** 27		SOLENOID	1	
** 27		SOLENOID		1
28	1902919	SCREW, 6-32 X 5/16 ROUND HEAD.	4	4
29	1925007	WASHER	1	1
30	1902804	SCREW, 8-32 X 5/8 PAN HEAD	8	8
31	1931001	CLAMP.	3	3
32	1902804	SCREW, 8-32 X 3/8 PAN HEAD	2	2
33	1925806	LOCK WASHER, #8 INT. TOOTH	4	4
34	1118948	CABLE ASSY	1	1
35	1954008	GROMMET.	1	1
36	1101896	FOOT SWITCH & CORD ASSY.	1	
36	1128156	FOOT SWITCH & CORD ASSY.		1
37	6200001	LINE CORD.	1	
37	1119138	LINE CORD.		1
38	1907906	SCREW, 8-32 X 3/8 THREAD CUTTING	2	2
39	OBSOLETE	GUARD, ELECTRIC ASSY	1	1
40	1952417	RELIEF, STRAIN	2	2
41	1103554	FUSE, 1 AMP SLO-BLOW	1	
41	1103048	FUSE, 1/2 AMP SLO-BLOW		1
*	7703266	CLUTCH PIN ASSEMBLY COMPLETE (ITEMS 17 - 23)		
**	1118833	115V SOLENOID ASSEMBLY COMPLETE (ITEMS 24 - 27)		
	1128136	230V SOLENOID ASSEMBLY COMPLETE (ITEMS 24 - 27)		

FIGURE 8.0.1 (Continued)

INDEX NUMBER	PART NUMBER	PART NAME	QUANTITY	
			115 VAC	230 VAC
42	1132343	HOLDER, FUSE.	1	1
43	1902812	SCREW, 6-32 X 7/8 PAN HEAD.	2	2
44	1107215	BLOCK, TERMINAL	1	1
45	1926801	NUT W/WASHER, 6-32.	2	2
46	1128214	BRACKET & EXTENSION ELECTRICAL.	1	1
47	1902915	SCREW, 6-32 X 3/8 ROUND HEAD.	1	1
48	1103754	RELAY	1	
48	1128125	RELAY		1
49	1907803	SCREW, 6-32 X 3/8 THREAD CUTTING.	2	2
50	1907902	SCREW, 6-32 X 3/8 THREAD CUTTING.	2	2
51	1925904	WASHER, EXTERNAL TOOTH LOCK	3	3
52	1128208	GUARD, UNDERARM SWITCH.	1	1
53	1926804	NUT W/WASHER, 4-40.	2	2
54	1902840	SCREW, 4-40 X 5/8 PAN HEAD.	2	2
55	1128219	SWITCH, SNAP ACTION	1	
55	1128132	SWITCH, SNAP ACTION		1
56	1103795	BRACKET, SWITCH	1	1
57	1902807	SCREW, 1/4-20 X 3/4 PAN HEAD.	4	4
58	1925804	LOCK WASHER, 1/4 INT. TOOTH	4	4
59	1103707	BRACKET, COVER.	2	2
60	1100867	SPRING, BACK GAGE	1	1
61	1118801	BAR ASSEMBLY, BACK GAGE, SERVICE.	1	1
62	1118804	PINION AND SHAFT ASSY	1	1
63	1902615	SCREW, 10-32 X 1/2 FLAT HEAD.	4	4
64	1106976	RACK, BACK GAGE ADJUSTING	1	1
65	1118805	MOUNTING BRACKET ASSY	1	1
66	1101430	SPRING, BACK GAGE RACK.	1	1
67	1930510	RING, RETAINING	1	1
68	1128209	GUARD, CONTROL SWITCH	1	1
69	1128204	BRACKET, CONTROL SWITCH	1	1
70	1128741	SWITCH, CONTROL	1	1
71	1107247	COVER, PROTECTION	2	2
72	1926802	NUT W/WASHER, 8-32.	2	2
73	1907906	SCREW, 8-32 X 3/8 THREAD CUTTING.	4	4
74	1100122	GUIDE, DRAWER, RH	1	1
75	1100180	WASHER.	4	4
76	1100228	RUBBER FOOT ASSY.	4	4
77	1128182	SHOULDER BOLT	4	4
78	1128183	SPRING.	4	4
79	7701635	CHIP DRAWER, (MOLDED)	1	1
80	1100150	GUIDE, DRAWER, LH	1	1
81	1101379	SHIELD.	1	1
82	1100123	CATCH, BULLET	2	2
83	1902841	SCREW, 2-56 X 3/4 PAN HEAD.	2	2
84	1131973	SWITCH, TABLE	1	
84	1131973	SWITCH, TABLE		1
85	1925805	LOCK WASHER, #2 INT. TOOTH.	4	4
86	1926714	NUT, 2-56	4	4

FIGURE 8.0.1 (Continued)

INDEX NUMBER	PART NUMBER	PART NAME	QUANTITY	
			115 VAC	230 VAC
87	1103610	LEVER.	1	1
88	1931603	RING, GRIP	1	1
89	1107220	BRACKET ASSY, TABLE SWITCH	1	1
90	1118807	GUIDE, BACK GAGE	1	1
91	7701631	PAPER GUIDE ASSY	1	1
92	1101381	CLAMP, LOCKING	1	1
93	1953503	WASHER, THRUST, 3/16	1	1
94	1925901	LOCK WASHER, #10 EXT TOOTH	1	1
95	1103616	PAPER GUIDE SCREW ASSY	1	1
96	1907906	SCREW, 8-32 X 3/8 THREAD CUTTING	4	4
97	1128158	DIP STICK ASSY	1	1
98	1128162	PANEL, DECORATIVE.	1	1
99	OBSOLETE	COVER, DUST.	1	1
100	1128200	PLATE, LOGO.	1	1
101	1136641	GUARD, TABLE SWITCH.	1	1
101	1128134	SOCKET		1
101	1128144	TERMINAL, QUICK CONNECT.		1
102	1128734	STRIP, TERMINAL.		1
103	1907817	SCREW.		1
104	1907005	SCREW.		1
105	1925802	LOCKWASHER		1
106	1931007	CLAMP, CABLE	1	1
107	1128418	LOGO, MAIN SWITCH.		1
108	1902809	SCREW, 1/4-20 X 1/2 PAN HEAD.	4	4

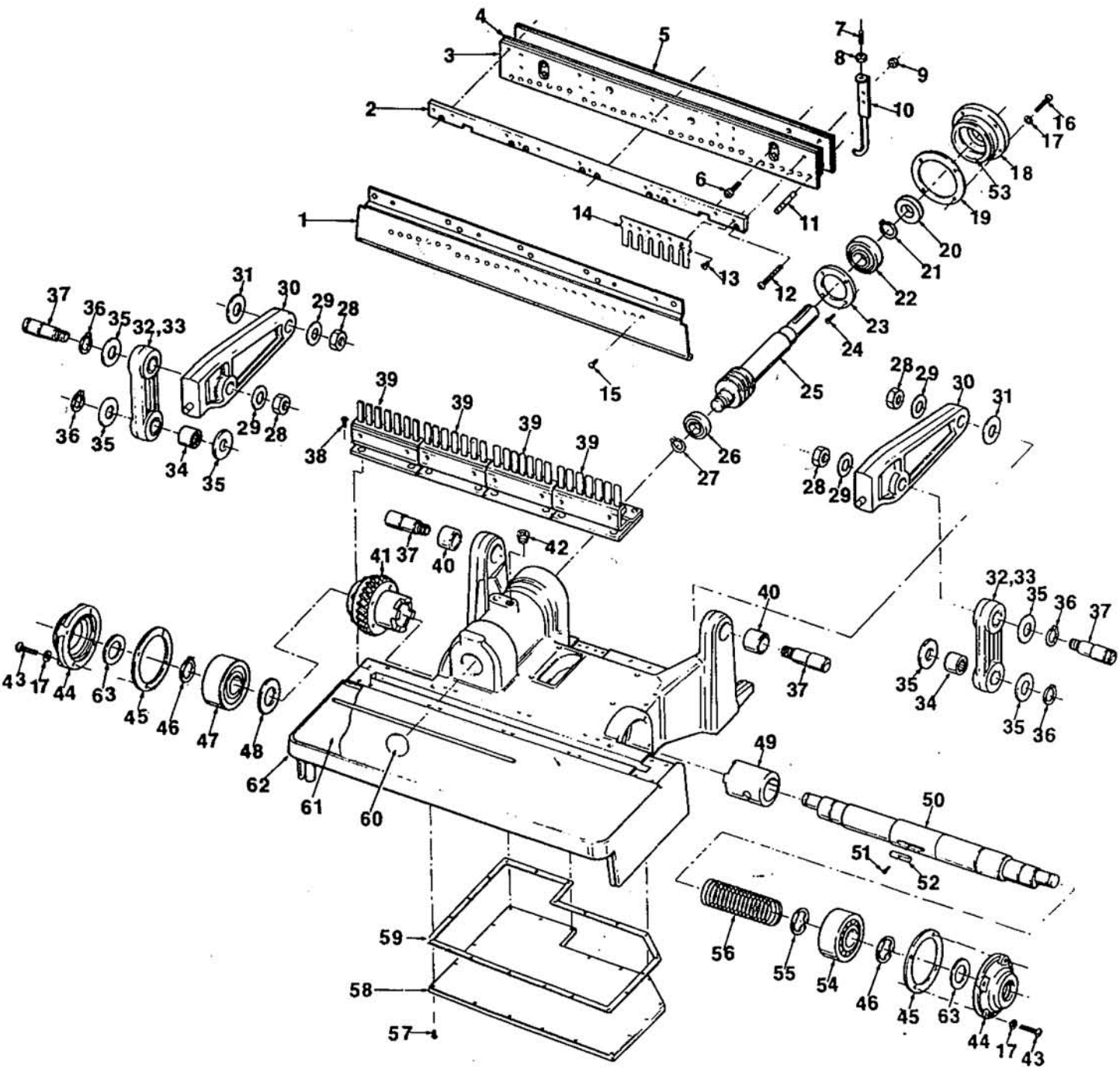


FIGURE 8.0.2

FIGURE 8.0.2

INDEX NUMBER	PART NUMBER	PART NAME	QUANTITY	
			115 VAC	230 VAC
1	7701633	COVER, PRESSURE BAR.	1	1
2	1103797	SPACER, FRONT.	2	2
3	1103716	PRESSURE BAR, FRONT.	1	1
4	1103715	SPACER	3	3
5	1103714	PRESSURE BAR, REAR	1	1
6	1964504	SCREW, 5/16-18 X 1 SOCKET HEAD	2	2
7	1900041	SET SCREW, 10-32 X 1/2	8	8
8	1926702	NUT, 10-32 HEX	8	8
9	1927000	NUT W/WASHER, 10-32.	8	8
10	1103718	STRIPPING LEVER.	8	8
11	1103734	PIN, PUNCH	28	28
12	1900041	SCREW, 1--32 X 1-1/4 FLAT HEAD	8	8
13	1902508	SCREW, 8-32 X 3/4 FILLISTER HEAD	8	8
14	1100131	SPRING, PUNCH PIN.	4	4
15	1911105	SCREW, 8-32 X 1/4 PAN HEAD W/WASHER.	4	4
16	1902905	SCREW, 10-32 X 3/4 ROUND HEAD.	4	4
17	1911107	WASHER, 13/69 I.D.	12	12
18	1100080	RETAINER, BEARING.	1	1
19	1100082	GASKET, BEARING RETAINER	1	1
20	1100081	SEAL, OIL.	1	1
21	1930503	RETAINER, BEARING.	1	1
22	1100210	BEARING.	1	1
23	1100209	CLAMP, BEARING	1	1
24	1900532	CAP SCREW, 6-32 X 1/4 SOCKET HEAD.	4	4
25	1100984	SHAFT, WORM.	1	1
26	1100079	BEARING.	1	1
27	1930502	RETAINER, BEARING.	1	1
28	1926612	NUT 1/2-20	4	4
29	1925808	LOCK WASHER, 1/2 INT. TOOTH.	4	4
30	1103727	ARM ASSEMBLY, PRESSURE BAR	2	2
31	1100024	WASHER- THRUST	2	2
32	N/A			
33	1100050	ROD CONNECTING ASSY.	2	2
34	SEE ITEM #33		4	4
35	1925116	WASHER	6	6
36	1930507	RING, RETAINING.	4	4
37	6210037	PIN, WRIST	4	4
38	1902601	SCREW, 10-32 X 3/8 FLAT HEAD	8	8
39	1152027	DIE ASSY	4	4
39	1102755	DIE ASSY, OVERSIZE (OPTIONAL).	4	4
39	1101985	DIE ASSY, T-SLOT (OPTIONAL).	4	4
40	1952224	BUSHING, PIVOT PIN	2	2
41	1100244	WORM GEAR ASSY	1	1
42	OBSOLETE	VENT ASSY.	1	1
43	1902908	SCREW, 10-32 X 7/8 ROUND HEAD.	8	8
44	1132121	BEARING CAP.	2	2
45	1132120	GASKET, BEARING CAP.	2	2
46	1930504	RETAINER	2	2
47	1100073	BEARING W/SNAP RING.	1	1
48	1100182	WASHER, STOP	1	1

FIGURE 8.0.2 (Continued)

INDEX NUMBER	PART NUMBER	PART NAME	QUANTITY	
			115 VAC	230 VAC
49	1100064	JAW, CLUTCH.	1	1
50	1100055	CRANKSHAFT	1	1
51	1900501	CAP SCREW, 4-40 X 3/8 SOCKET HEAD.	1	1
52	1100065	KEY, CLUTCH JAW.	1	1
53	OBSOLETE	RETAINING COMPOUND, LOCTITE RC-35.	A/R	A/R
54	1100056	BEARING.	1	1
55	1930506	RETAINER	1	1
56	1100066	SPRING, CLUTCH	1	1
57	1903207	SCREW W/WASHER 10-32 X 3/8	19	19
58	1100898	COVER, BOTTOM.	1	1
59	1100035	GASKET, BOTTOM COVER	1	1
60	1100030	PLUG, EXPANSION.	1	1
61	OBSOLETE	TABLE, LAMINATE.	1	1
62	OBSOLETE	BASE	1	1
63	1101299	SEAL, OIL.	2	2