



# **111 PM C & 111 PM W Parts List**



GBC IS AN ACCO BRANDS COMPANY

Figure 8.1

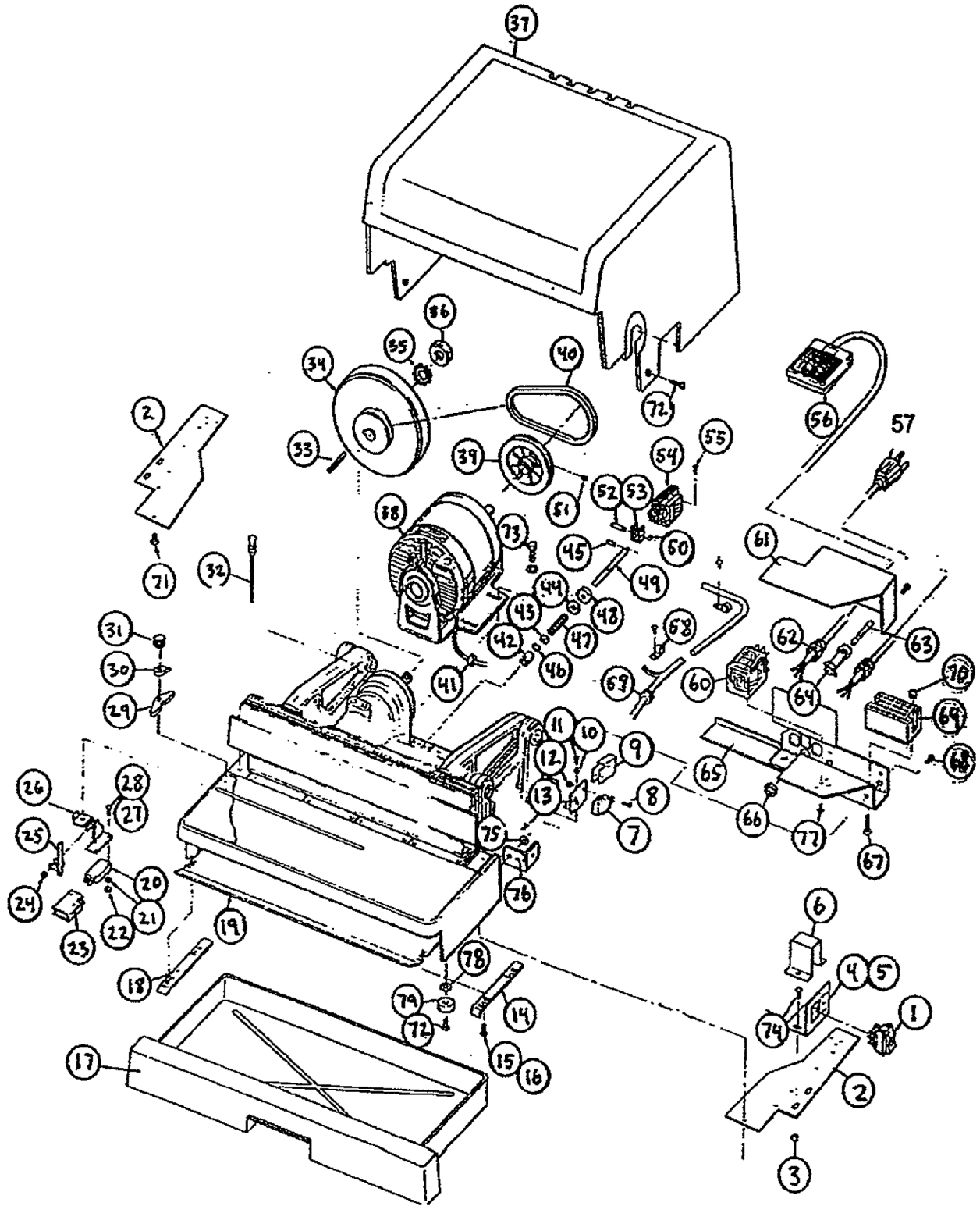


Figure 8.1

ITEM	P/N	DESCRIPTION	QTY	
			115V	230V
1	1128741	Switch, control	1	1
2	1107247	Cover, switch protective	2	2
3	1926802	Nut, 8-32	3	3
4	1128204	Bracket, control switch	1	N/A
	7701050	Bracket, control switch	N/A	1
5	1128418	Label, control switch	1	1
6	1128209	Guard, control switch	1	1
7	1128219	Switch, underarm	1	N/A
	1128132	Switch, underarm	N/A	1
8	1902840	Screw, 4-40 x 3/4	2	2
9	1128208	Guard, underarm switch	1	1
10	1925904	Lockwasher, #6	2	2
11	1907902	Screw, 6-32 x 3/8	4	4
12	1926804	Nut, 4-40	2	2
13	1103795	Bracket, switch mounting	1	1
14	1100122	Drawer guide, RH	1	1
15	1128182	Shoulder bolt, 10-32 x 9/32	4	4
16	1128183	Spring	4	4
17	7701635	Chip drawer	1	1
18	1100150	Drawer guide, LH	1	1
19	1101379	Shield	1	1
20	7701613	<b>Table switch</b>	1	1
21	1925805	Lockwasher	2	2
22	1926714	Nut, 2-56	3	3
23	1131972	Insulator, switch	1	1
24	1931603	Grip ring 5/8	1	1
25	1103610	Lever	1	1
26	7701614	<b>Bracket, table switch</b>	1	1
27	1925129	Flat washer, #4	5	5
28	1902868	Screw, 2-56 x 7/8	2	2
29	7701631	Edge guide	1	1
30	7701637	Locking collar	1	1
31	7701638	Dome knob, edge guide	1	1
32	1128158	Dip stick	1	1
33	1100178	Key, flywheel	1	1
34	1100963	Flywheel	1	1
35	1118803	Lockwasher	1	1
36	1103767	Jam nut, 5/8 - 18 LH thread	1	1
37	7701632	Cover	1	1
38	1118839	115V motor	1	N/A
	1100190	230V motor	N/A	1
39	1107242	Pulley, motor	1	1
40	1100195	V-belt	1	1
41	1954013	Grommet	1	1
42	1952218	Bushing, clutch pin	1	1
*43	1100164	Washer, spring retainer	1	1
*44	1103739	Washer, clutch pin	1	1
*45	1929215	Roll pin	1	1
*46	1930501	Retaining ring	1	1
*47	1100069	Spring, clutch pin	1	1
*48	1103733	Oil seal	1	1
*49	1118834	Clutch pin	1	1
	7703266	<b>Clutch pin assembly complete (items 43-49)</b>	1	1
*50	1930518	Retaining ring	2	2
51	1900056	Set screw, 5/16 - 18 x 1/4	1	1
*52	1118830	Shaft, solenoid	1	1
*53	1118831	Link, solenoid	1	1
*54	1128136	Solenoid	1	1
	1118833	<b>Solenoid complete (items 50, 52-54)</b>	1	1
55	1902919	Screw, 6-32 x 5/16	4	4

FIGURE 8.1 (continued)

ITEM	P/N	DESCRIPTION	QTY	
			115V	230V
56	1101896	Foot switch, electric type 115V	1	N/A
	1133169	Foot switch, electric type 230V	N/A	1
	6190011	Foot switch, pneumatic type	1	1
	6202046	Switch, pneumatic	1	1
57	1128157	Power cord 115V	1	N/A
	1119138	Power cord 230V	N/A	1
	6200001	Power cord 115V (new style)	1	N/A
	1132289	Receptacle, power cord (new style cord)	1	N/A
58	1931001	Clamp	2	2
59	1954008	Grommet	1	1
60	1103754	Relay 115V	1	N/A
	1154238	Relay 230V	N/A	1
61	N/A			
62	1952417	Strain relief	1	N/A
	1952414	Strain relief	N/A	1
63	1103554	1A fuse	1	N/A
	1103048	1A fuse	N/A	1
64	1132343	Fuse holder	1	1
65	1128214	Bracket, electric	1	1
66	1128217	Spacer, fuse holder	1	1
67	1902812	Screw, 6-32 x 7/8	2	2
68	1907803	Screw, 6-32 x 3/8	2	2
69	1107215	Terminal block	1	1
70	1926801	Nut	2	2
71	1907810	Screw, 8-32 x 3/8	6	6
72	1902807	Screw, 1/4 - 20 x 1/4	8	8
	7701634	Washer	4	4
73	1903204	Screw, 5/16 - 18 x 1/2	4	4
74	1911131	Screw, 8-32 x 3/8	3	3
75	1902801	Screw, 1/4 - 20 x 5/8	8	8
	1926002	Lockwasher	4	4
76	7701639	Bracket, cover	2	2
77	1911121	Screw, 6-32 x 1/2	1	1
78	1100180	Washer	4	4
79	1100228	Rubber foot	4	4

THIS PAGE LEFT BLANK INTENTIONALLY

# 111PM Sickinger

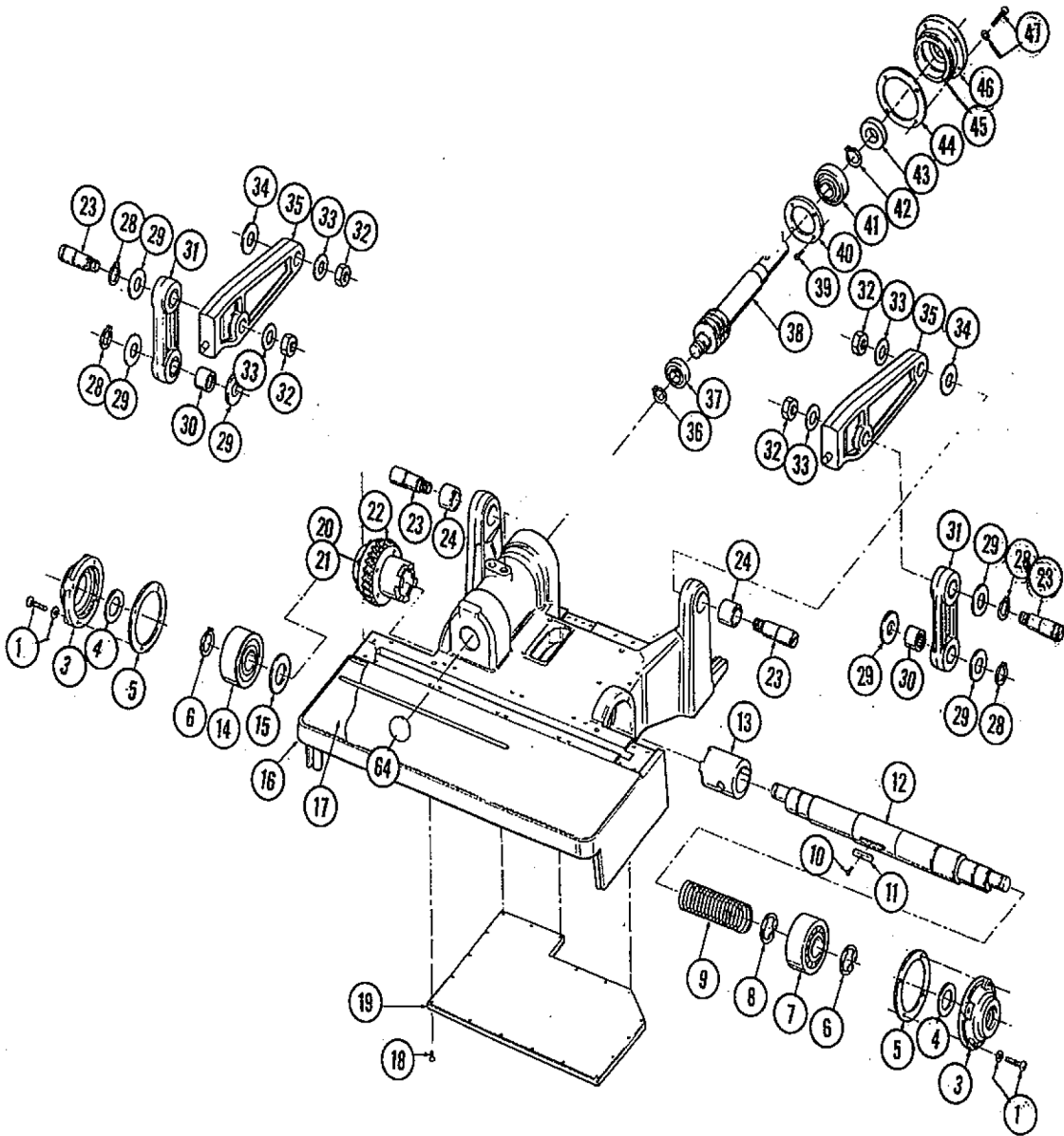


FIGURE 8.2

FIGURE 8.2

ITEM	P/N	DESCRIPTION	QTY	
			115V	230V
1	1911117	Screw, 10-32 x 7/8	8	8
	1925207	Washer ID	12	12
3	1132121	Bearing cap	2	2
4	1101299	Oil seal	2	2
5	1132120	Gasket, bearing cap	2	2
6	1930504	Retainer, tru-arc	2	2
7	1100056	Bearing	1	1
8	1930506	Retainer, tru-arc	1	1
9	1100066	Spring, clutch	1	1
10	1900501	Screw, 5/16 - 18 x 1 3/4	1	1
11	1100065	Key, clutch jaw	1	1
12	1100055	Crankshaft	1	1
13	1100064	Clutch jaw	1	1
14	1100073	Bearing w/snap ring	1	1
15	1100182	Stop washer	1	1
16	7701640	Base	1	1
17	6009252	111PM-Coil/Wire (.2475 pitch) table laminate		
	6009199	111PM-Coil/Wire (.250 pitch) table laminate		
	6009220	111PM-Coil/Wire A4 table laminate		
18	1903207	Screw, 10-32 x 3/8	19	19
19	1100898	Cover, bottom	1	1
	1100035	Gasket, bottom cover	1	1
20	1900503	Screw, 10-32 x 3/4	4	4
21	1926001	Washer #10	4	4
22	1100244	Worm gear assembly	1	1
23	6210037	Wrist pin	4	4
24	1952224	Bushing, pivot pin	2	2
27	1907405	Screw, 10-32 x 5/8	8	8
28	1930507	Retaining ring	4	4
29	1925116	Flat washer	6	6
30	N/A			
31	1100050	Connecting rod w/ bronze bearing (item 30)	2	2
32	1926612	Jam nut 1/2 - 20	4	4
33	1925808	Lockwasher	4	4
34	1100024	Washer	2	2
35	1103727	Pressure bar arm	2	2
36	1930502	Retainer, tru-arc	1	1
37	1100079	Bearing	1	1
38	1100984	Worm shaft	1	1
39	1900532	Screw, 6-32 x 1/4	4	4
40	1100209	Bearing clamp	1	1
41	1100210	Bearing	1	1
42	1930503	Retaining ring	1	1
43	1100081	Oil seal	1	1
44	1100082	Gasket, bearing retainer	1	1
45	N/A			
46	1100080	Bearing retainer	1	1
47	1911107	Screw, 10-32 x 5/8	4	4
	1925207	Washer ID	12	12
64	1100030	Expansion plug	1	1

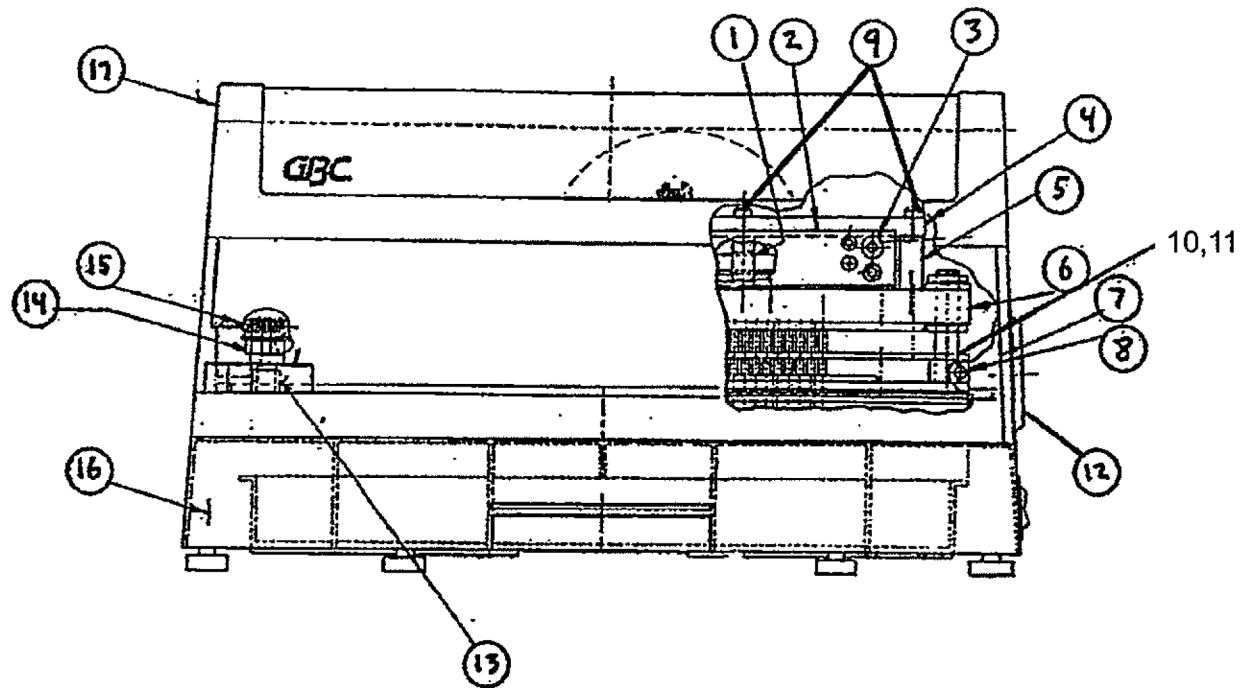
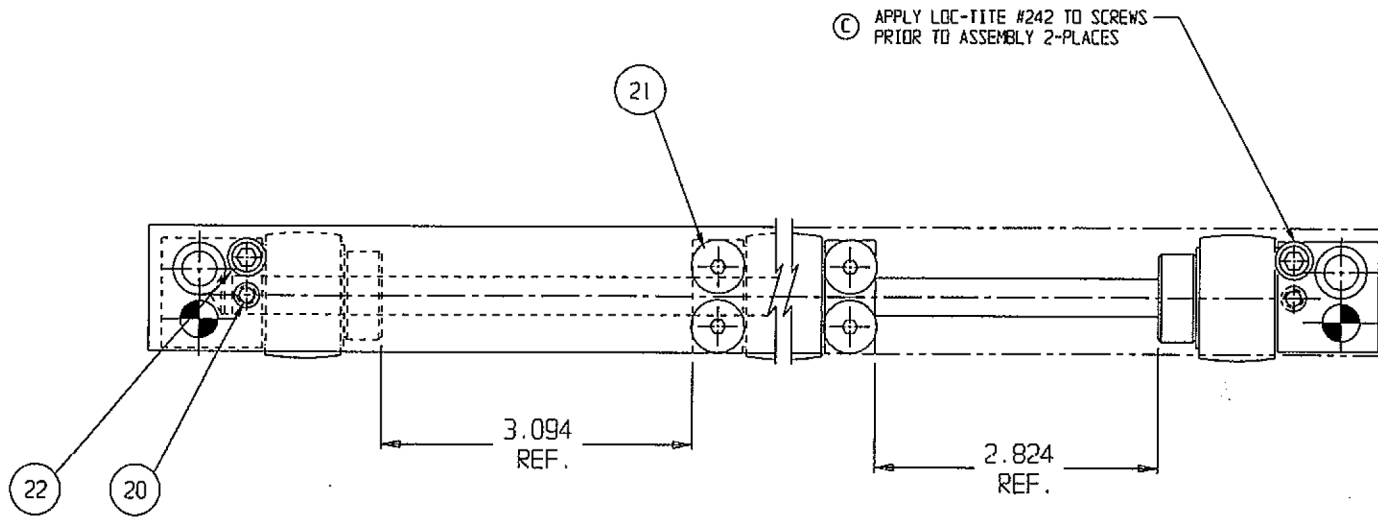
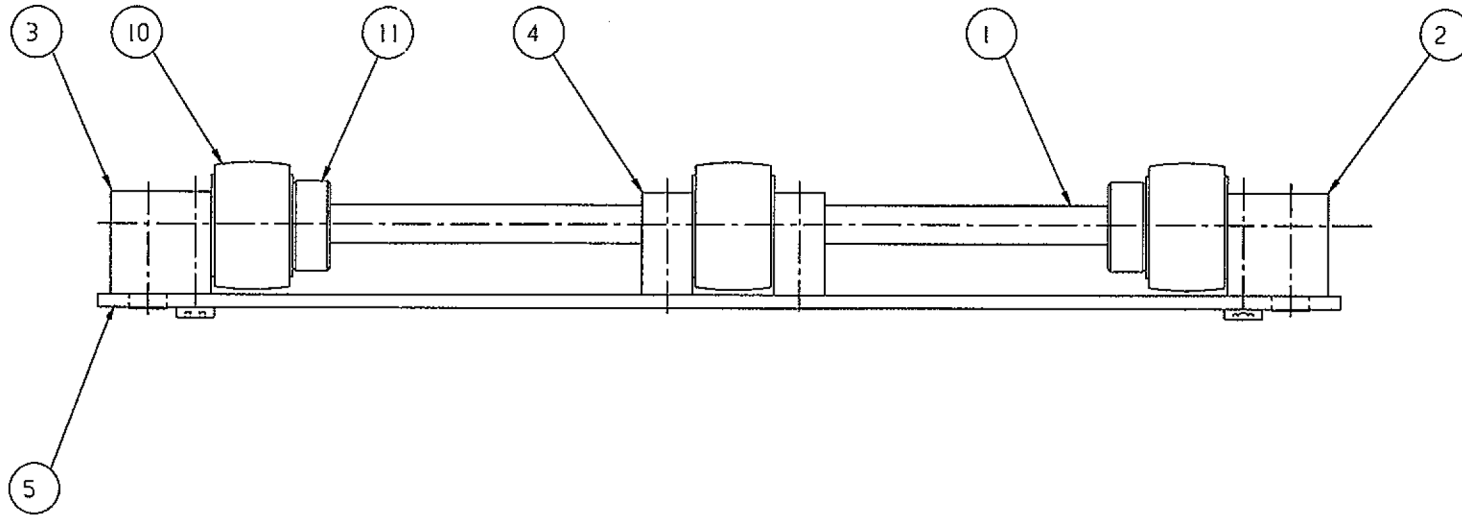
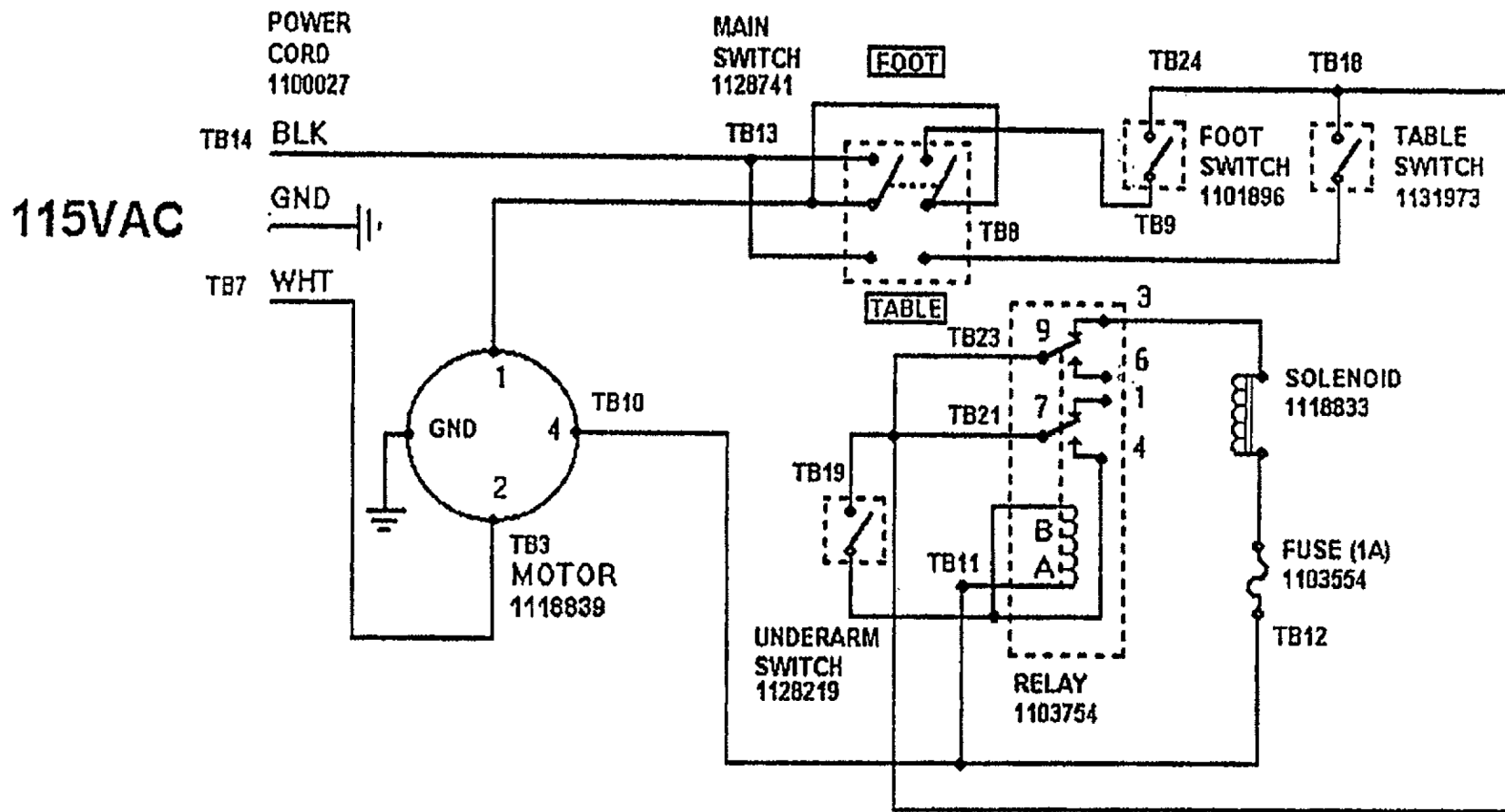


FIGURE 8.3

ITEM	P/N	DESCRIPTION	QTY	
			115V	230V
1	7701657	Spacer (center)	4	4
2	7701651	Pressure bar (Includes CAM See BOM)	1	1
3	1900521	Screw 5/16 - 18 x 1 1/4	2	2
4	7701656	Stripper cap	1	1
5	7701658	Spacer (end)	2	2
6	7701652	Sickinger 2:1 Twin-loop die assembly complete		
	7701653	Sickinger 3:1 Twin-loop die assembly complete		
	7701664	Sickinger A4 2:1 Twin-loop die assembly complete		
	7701663	Sickinger A4 3:1 Twin-loop die assembly complete		
	7701666	Sickinger 4:1 Color coil (.2475 pitch) die assembly complete (Round Hole)		
	7701654	Sickinger 4:1 Color coil (.250 pitch) die assembly complete (Industry Standard)		
	7701663	Sickinger 5:1 Color coil die assembly complete		
7	7701662	Pressure bar cover	1	1
8	1902854	Screw, 10-24 x 3/8	2	2
9	1900522	Screw, 1/4 - 20 x 2	6	6
10	1925803	Lockwasher #10	2	2
11	1902855	Screw, 10-32 x 1 1/4	1	1
12	7701661	Hole cover	1	1
13	7701631	Edge guide	1	1
14	7701637	Locking collar	1	1
15	7701638	Dome knob, edge guide	1	1
16	7701635	Chip drawer	1	1
17	7701632	Cover	1	1
•	6009195	2:1 Twin-loop cover label		
•	6009196	3:1 Twin-loop cover label		
•	6009197	4:1 Color coil cover label		
•	6009198	5:1 Color coil cover label		



22	0750719100	SCWS LOW HEAD	2	1/4-20 X 1/2
	0750864000	FHCS	4	FHCS 1/4-20 X 1/2
20	0751018000	SET SCREW	2	#10-24 X 1/4
STANDARD COMPONENTS				
11	0750001000	CLAMP COLLAR 3/8 I.D.	2	CLAMP TITE #15010
10	0485000500	CAM FOLLOWER - CROWNED	3	MCGILL # CCYR-1 1/4 S
PURCHASED COMPONENTS				
5	0140601100	FRONT PLATE	1	C SIZE DRAWING
4	0140601000	SUPPORT BLOCK - CENTER	2	B SIZE DRAWING
3	0140600900	SUPPORT BLOCK - L/H	1	B SIZE DRAWING
2	0140600800	SUPPORT BLOCK - R/H	1	B SIZE DRAWING
1	0140600600	AXLE	1	B SIZE DRAWING
DET.	MATERIAL	QTY	SIZE	
General Binding Corporation				



TB# REFERS TO THE PIN NUMBER IN THE TERMINAL BLOCK

Fig. 5.1 Schematic 115V