



# 1036S-1 PARTS LIST



GBC IS AN ACCO BRANDS COMPANY

8.0 PARTS LIST

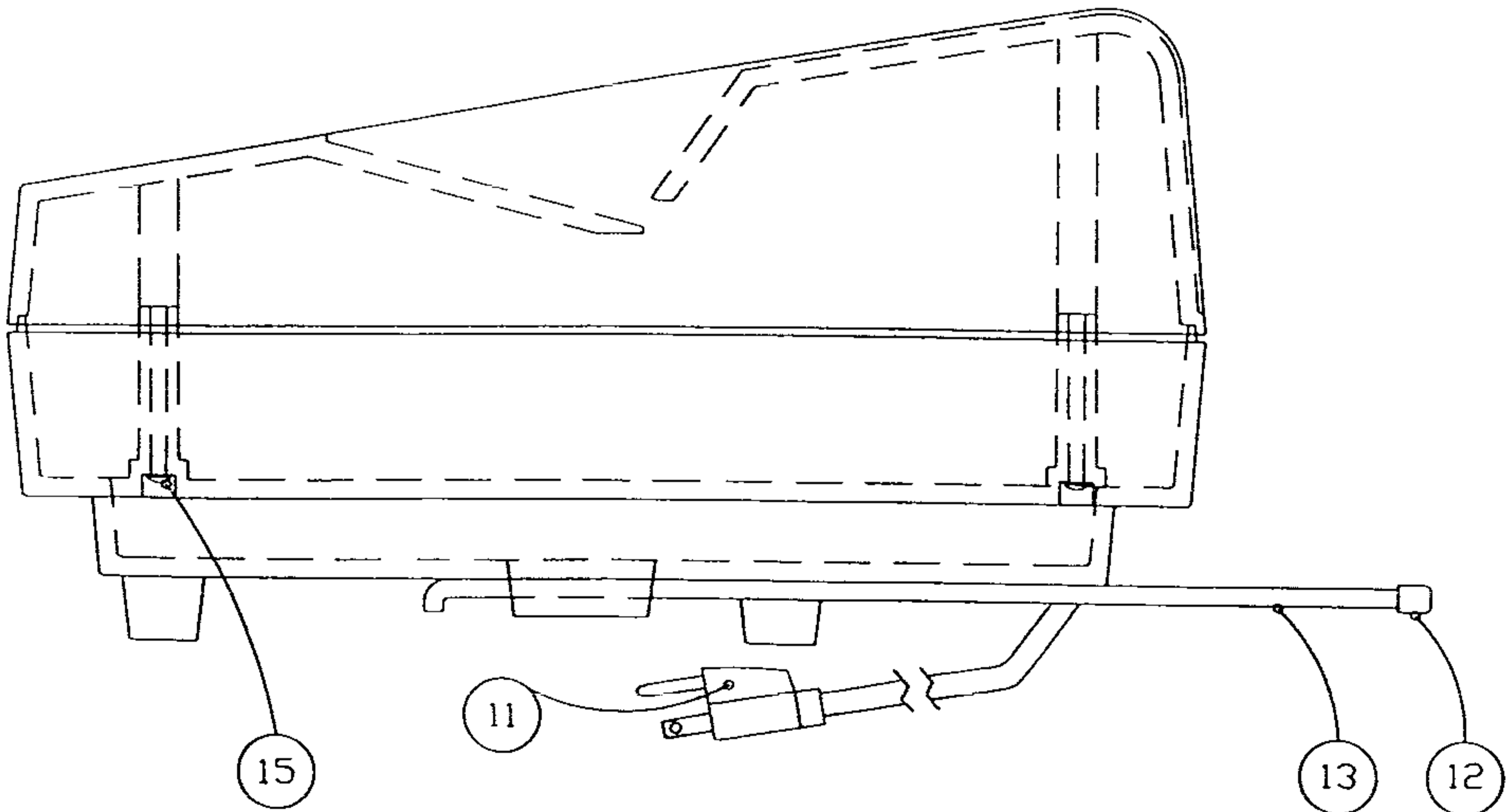
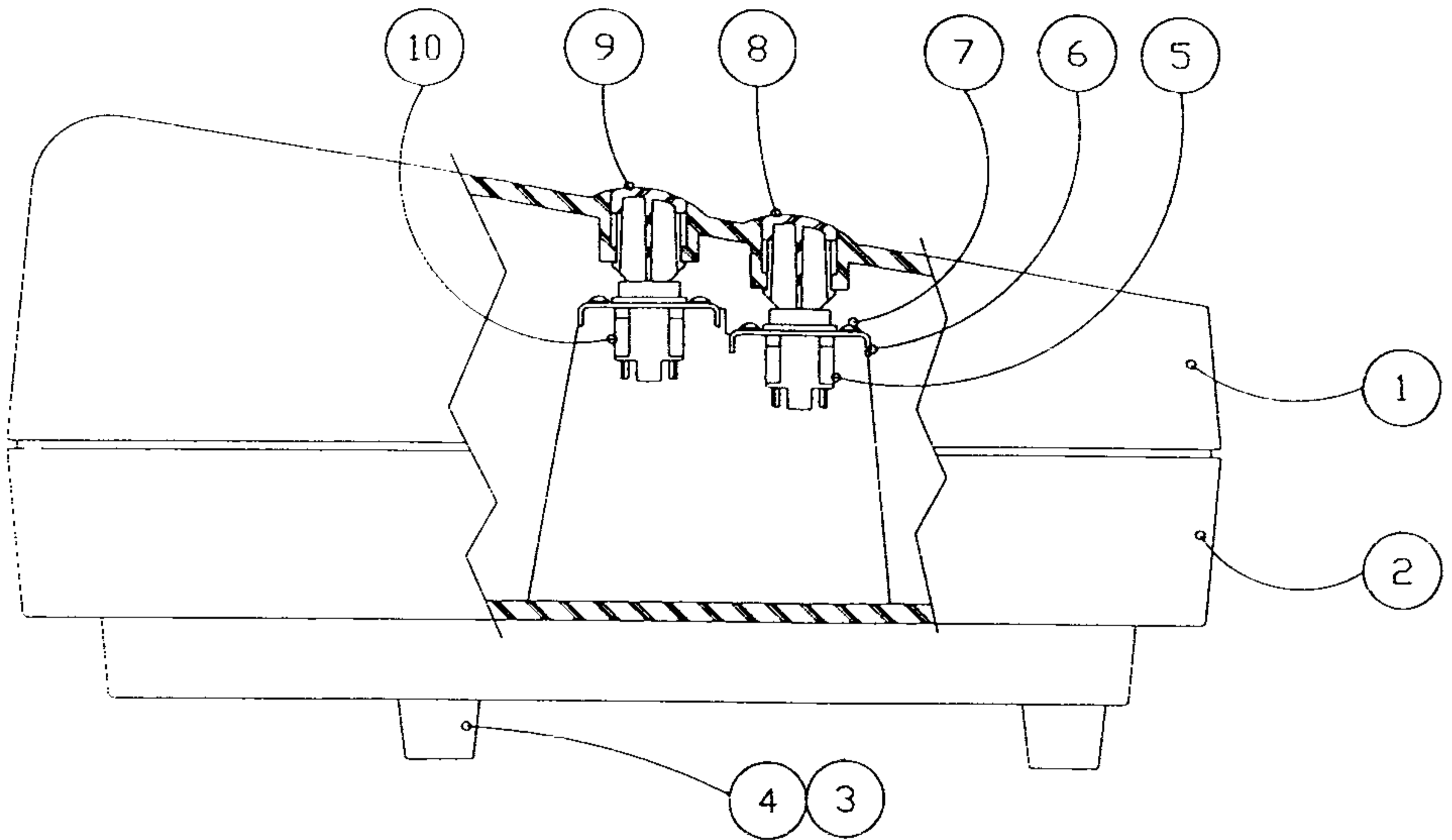


FIGURE 8-5 1036S-1

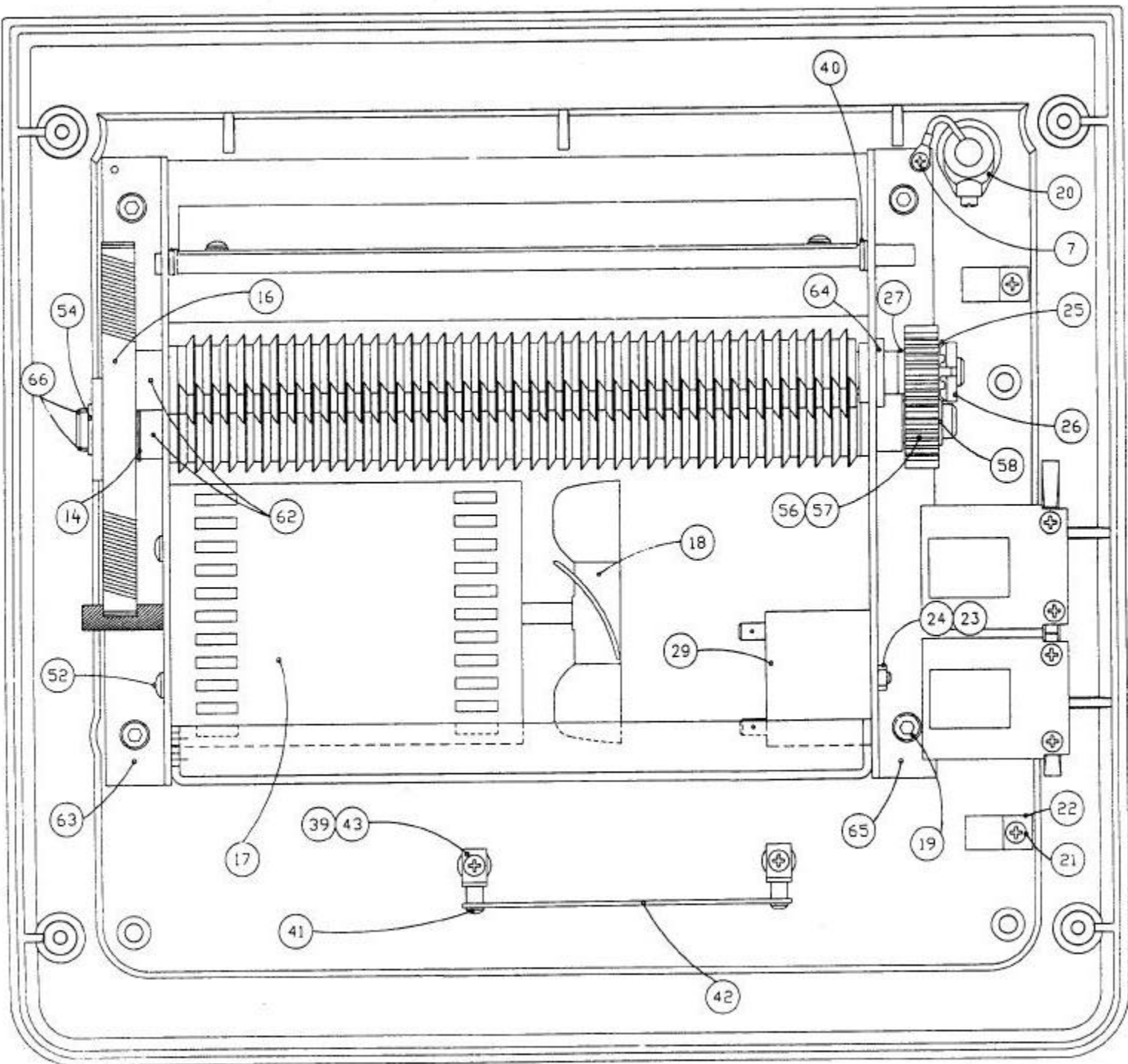


FIGURE 8-6 1036S-1

8.0 PARTS LIST

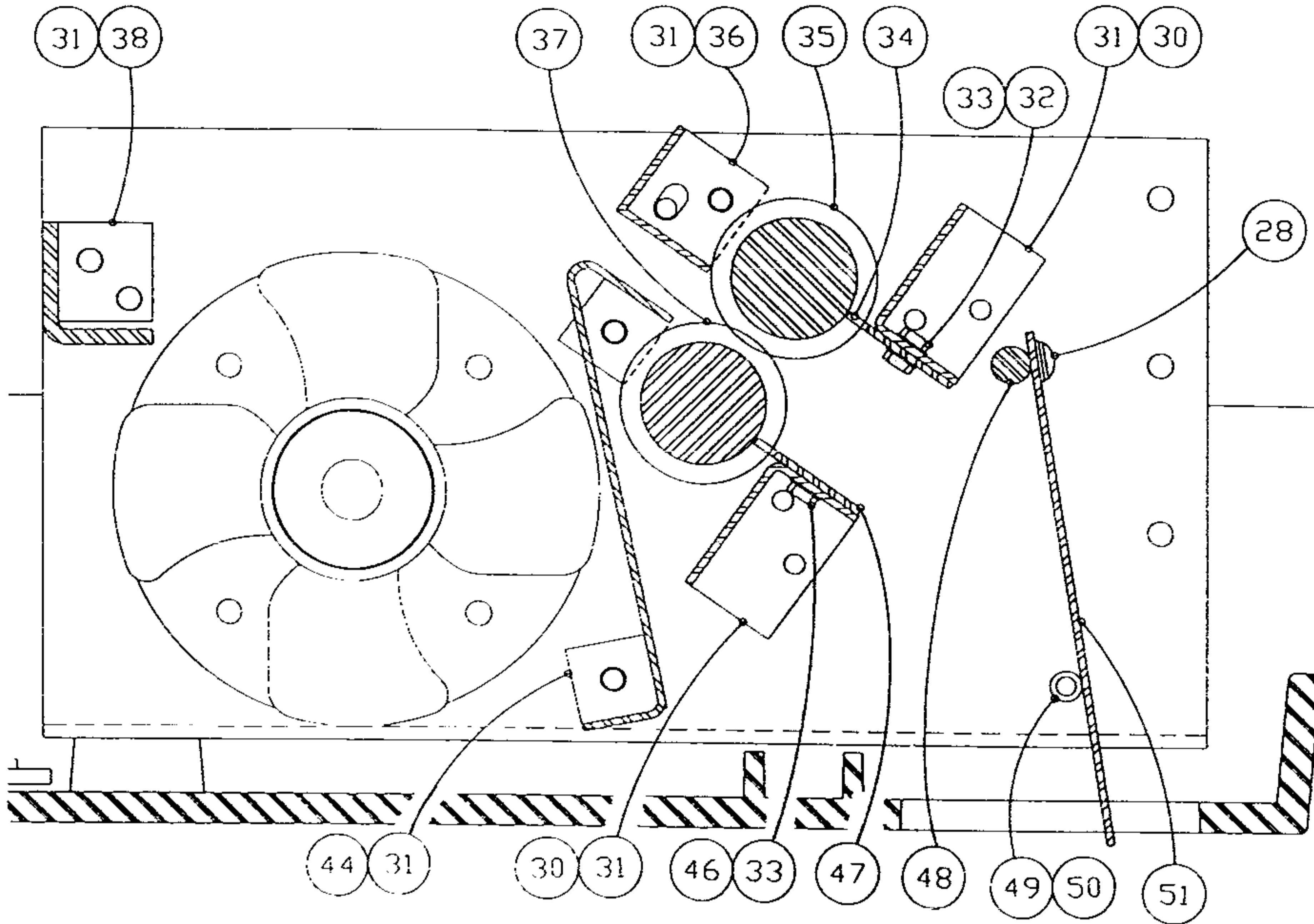


FIGURE 8-7 1036S-1

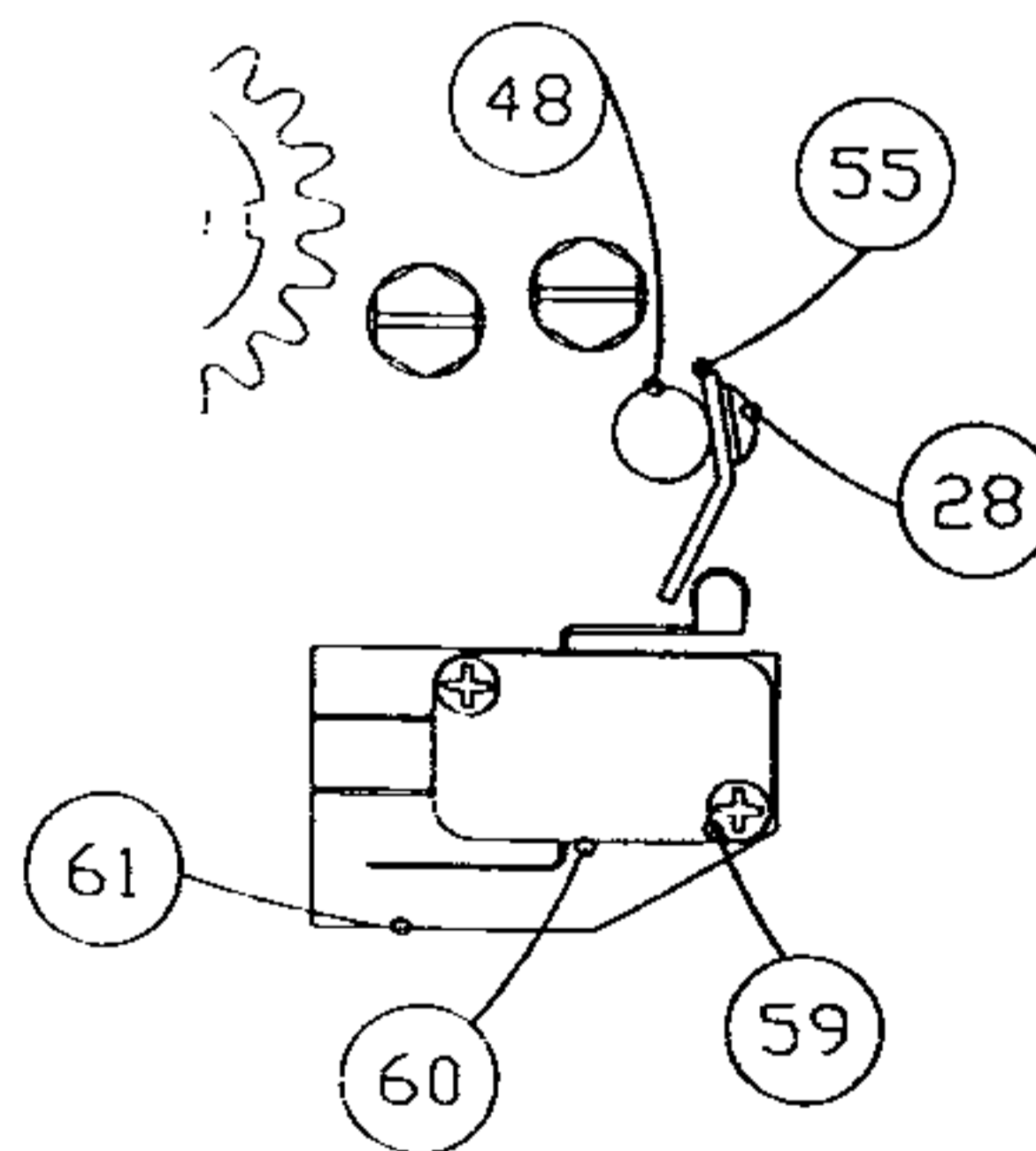


FIGURE 8-8 1036S-1

8.0 PARTS LIST

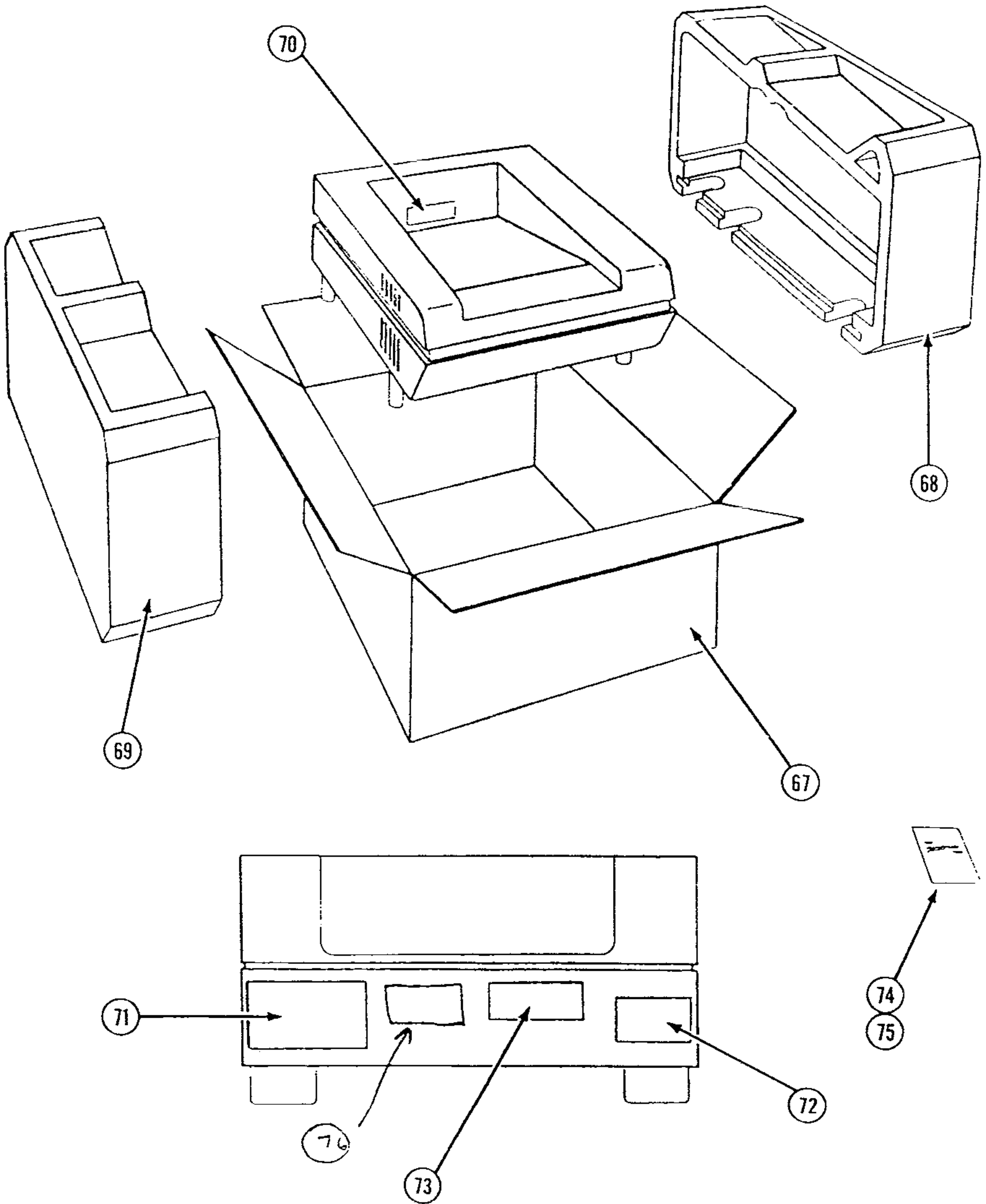


FIGURE 8-9 1036S-1

## 8.0 PARTS LIST

### 8.2 Part Descriptions 1036S-1

ITEM #	PART NO.	DESCRIPTION	QTY
1	7500232	TOP SHELL.....	1
2	7500032	BOTTOM SHELL.....	1
3	7500050	RUBBER FOOT.....	4
4	1902827	SCREW 10-32 X 3/4.....	4
5	7500033	OFF/REVERSE SWITCH.....	1
6	7500034	SWITCH MTG. BRACKET.....	2
7	1911109	SCREW 6-32 X 1/4.....	3
8	7500043	BUTTON CAP-OFF SWITCH.....	1
9	7500030	BUTTON CAP-ON SWITCH.....	1
10	7500044	ON-SWITCH.....	1
11	6200000	POWER CORD SET.....	1
12	1145247	PLASTIC CAP.....	2
13	7500041	BAG ROD.....	2
14	1925215	PLASTIC WASHER.....	4
15	1902813	SCREW 8-32 X 1-1/4.....	4
*16	6180036	CUTTER DRIVE GEAR.....	1
17	1146775	MOTOR W/PINION.....	1
18	1132555	FAN BLADE.....	1
19	1903208	SCREW 5/16-18 X 3/4.....	4
20	1952414	STRAIN RELIEF.....	1
21	1902804	SCREW 8-32 X 3/8.....	2
22	1931001	CABLE CLAMP.....	2
23	1911106	SCREW #8-32 X 3/8.....	1
24	1926802	HEX NUT 8-32.....	1
25	1130994	LOCKWASHER.....	1
26	1130993	LOCKNUT.....	1
27	1132542	SPACER.....	1
28	1902809	SCREW 8-32 X 1/2.....	3
29	6205000	12.5 MICRO-FARAD CAPACITOR.....	1
30	1132543	SUPPORT STRIPPER.....	2
31	1907101	SCREW 10-32 X 1/2.....	20
32	1907301	SCREW 6-32 X 3/8.....	2
33	1926801	NUT, KEPS, 6-32.....	4
34	1132538	STRIPPER BACK, UPPER.....	1
35	1146887	UPPER CUTTER.....	1
36	1132554	PAPER GUIDE-UPPER.....	1
37	1146886	LOWER CUTTER.....	1
38	7500035	UPPER CROSS BAR.....	1
39	7500231	MOUNTING BRACKET, PCB.....	2
40	1963701	'O' RING 1/4 ID X 1/16 W.....	2
41	1902815	SCREW 6-32 X 1/2.....	4
42	7500230	P.C. BOARD ASSEMBLY.....	1
43	1911105	SCREW 8-32 X 1/4.....	2
44	7500038	LOWER PAPER GUIDE.....	1
45	1932121	WIRE TIE.....	4
46	1902606	F.H. SCREW 6-32 X 3/8.....	2
47	1132539	STRIPPER BACK, LOWER.....	1
48	1146793	BAR, GUARD.....	1
49	1911116	SCREW 6-32 X 3/8.....	2

## 8.0 PARTS LIST

## 8.2 Part Descriptions 1036S-1 (Continued)

ITEM #	PART NO.	DESCRIPTION	QTY
50	1924804	SPACER 6-32 THREAD.....	2
51	1146792	GUARD.....	1
52	1911103	SCREW 10-32 X 1/2.....	4
53	1119440	CONNECTOR.....	2
54	1931605	GRIP RING 5/8 DIA.....	1
55	7500047	ACTUATOR, FLAP.....	1
56	1132547	GEAR, CUTTER.....	2
57	1852817	KEY 3/16 SQ X 3/8 LG.....	2
58	1931604	GRIP RING 1/2 DIA.....	1
59	1902821	SCREW 4-40 X 1/2.....	2
60	1131147	SNAP SWITCH.....	1
61	1122005	INSULATION-SWITCH.....	1
62	1132572	BEARING, FLANGE.....	3
63	7500045	HEADSTOCK.....	1
64	1132573	BEARING, FLANGE.....	1
65	7500046	TAILSTOCK.....	1
66	1145889	KEY 3/16 SQ X 5/8 LG.....	2
67	6005000	CARTON.....	1
68	6006000	RIGHT END CAP.....	1
69	6006001	LEFT END CAP.....	1
70	6009006	WARNING LABEL, LOOSE CLOTHING..	1
71	6009007	WARNING LABEL, SERIOUS INJURY..	1
72	6009000	CAUTION LABEL, ELECTRIC SHOCK..	1
73	1155010	NAME PLATE.....	1
74	6000000	INSTRUCTION MANUAL.....	1
75	1145352	PACK OF TEN BAGS.....	1