



# 1026S PARTS LIST



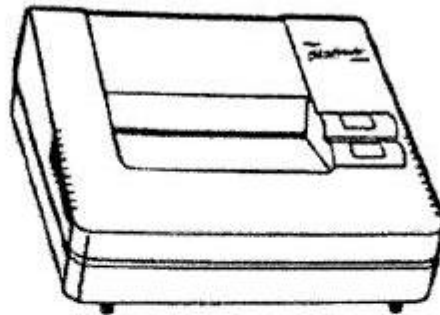
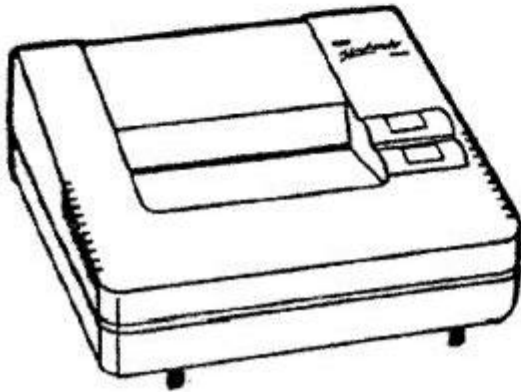
GBC IS AN ACCO BRANDS COMPANY

# PARTS LIST

*Shredmaster*<sup>®</sup>

**PAPER SHREDDER**

**MODEL : 1026S**



**GBC**<sup>®</sup>

**National Service Department**

ONE GBC PLAZA  
NORTHBROOK, IL 60062  
708/272-3700

PART # 6001013  
ISSUED 8/92

## 8.0 PARTS LIST

All parts in each illustration are keyed with an index number for reference to the respective part number, part name, and quantity in the parts list.

When ordering service parts, always include the following information:

1. Machine Model Number
2. Machine Serial Number
3. Part Number
4. Part Name
5. Quantity Required

**Note:** The Northbrook Service Parts Department does not stock all hardware; to avoid delay, standard hardware shown in the parts list should be procured locally.

8.0 PARTS LIST

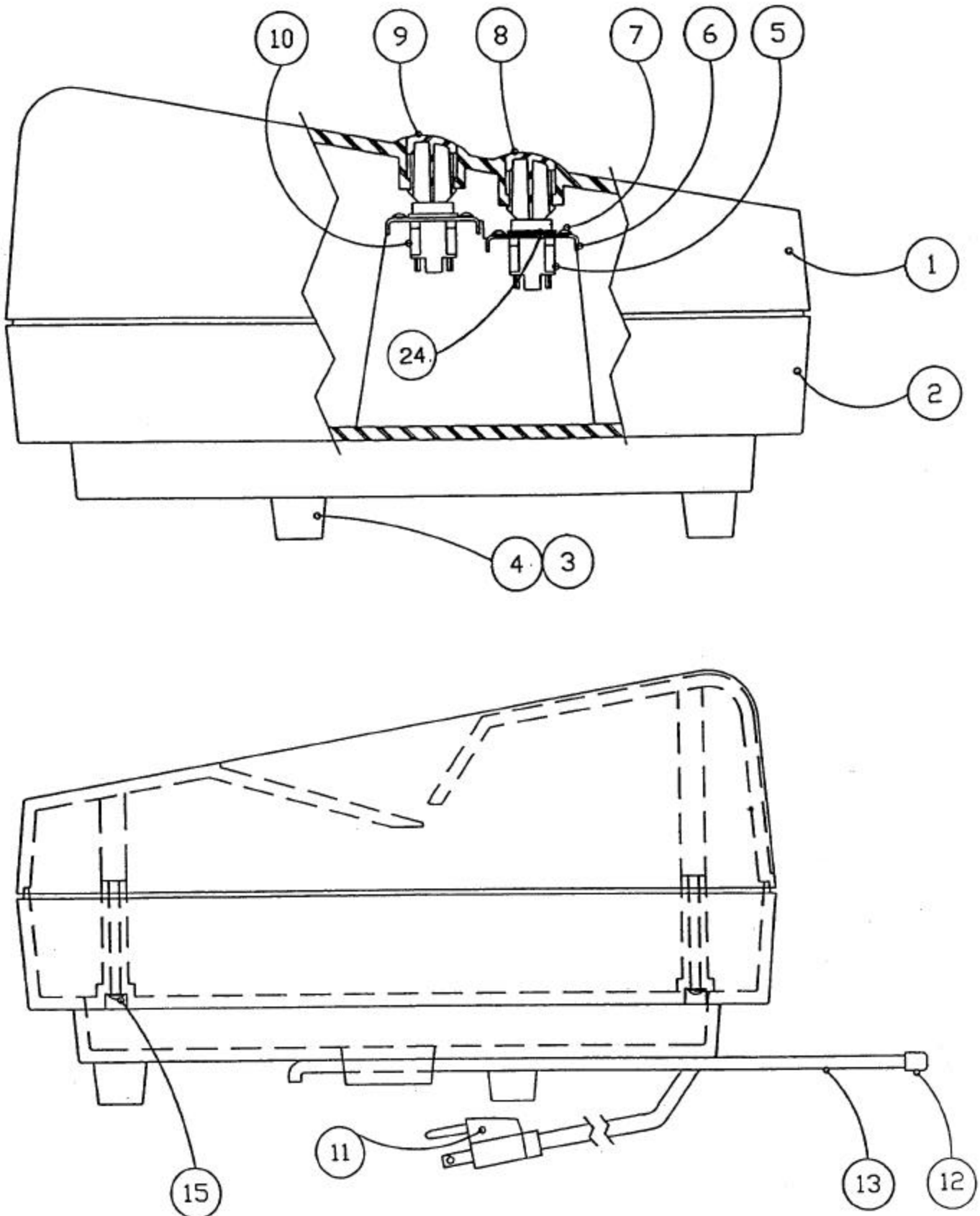


FIGURE 8-1 1026S

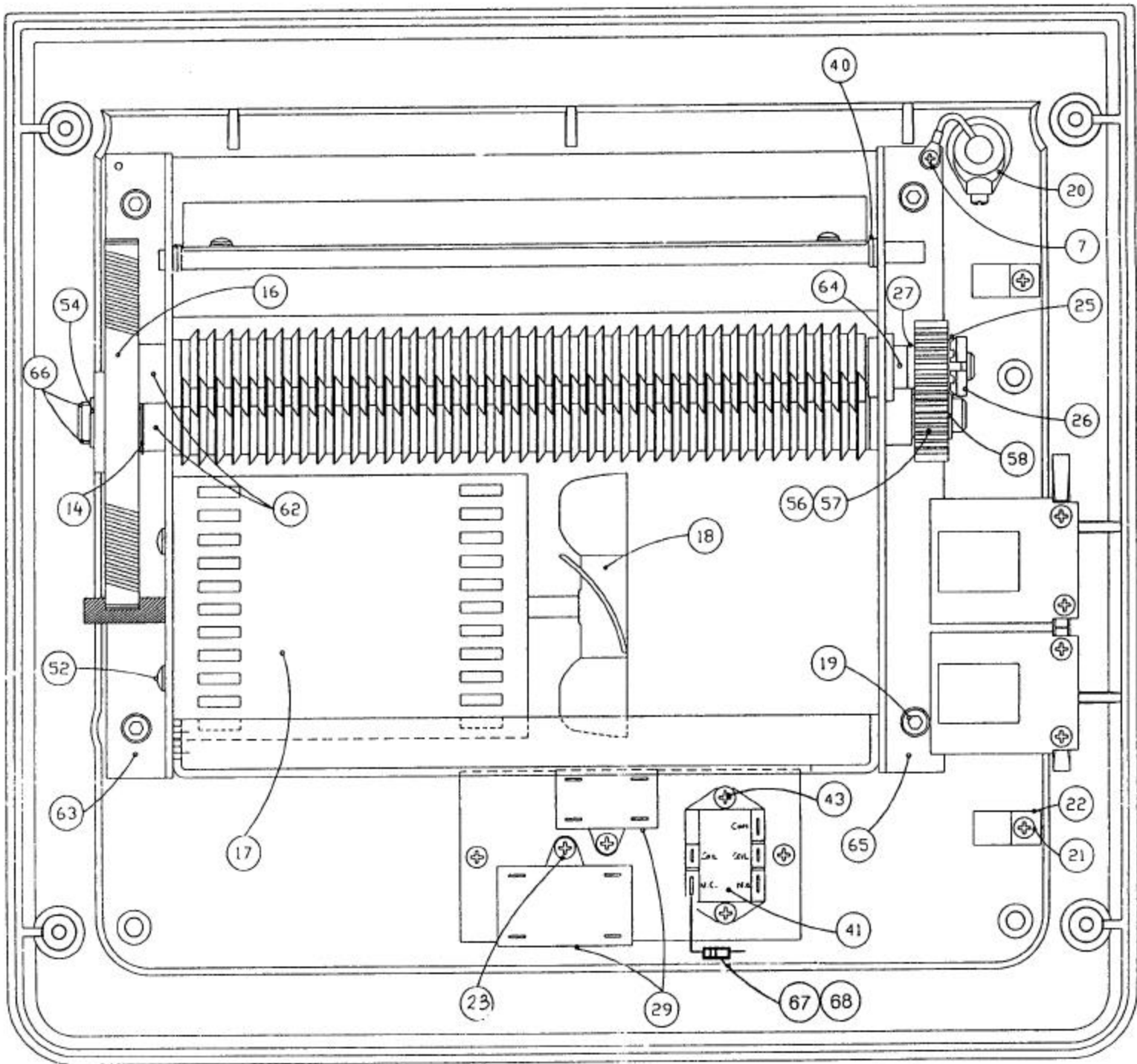


FIGURE 8-2 1026S

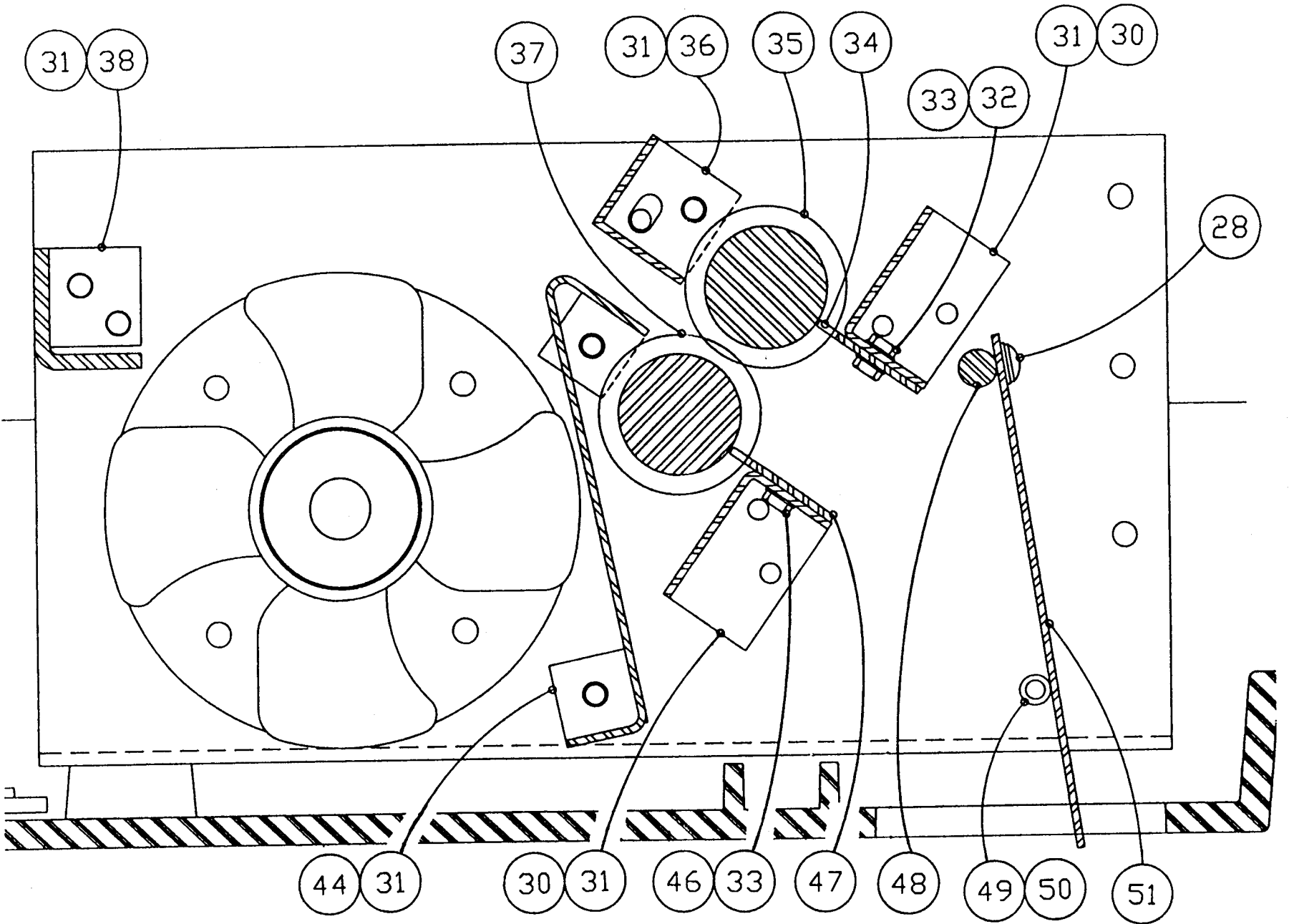


FIGURE 8-3 1026S

8.0 PARTS LIST

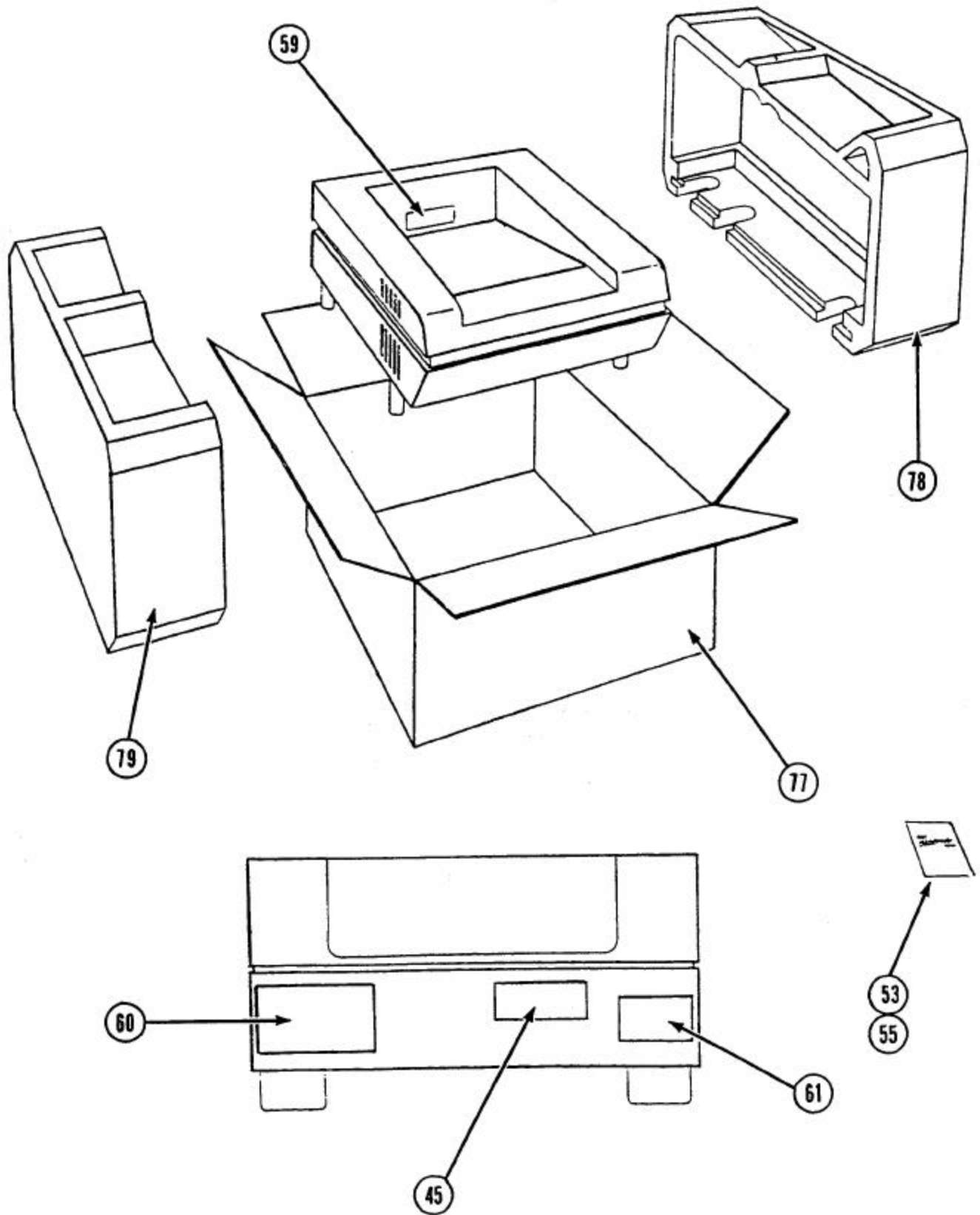


FIGURE 8-4 1026S

**8.0 PARTS LIST**

**8.1 Part Descriptions 1026S**

ITEM #	PART NO.	DESCRIPTION	QTY
1	7500031	TOP SHELL.....	1
2	7500032	BOTTOM SHELL.....	1
3	7500050	RUBBER FOOT.....	4
4	1902827	SCREW 10-32 X 3/4.....	4
5	7500452	OFF/REVERSE SWITCH.....	1
6	7500034	SWITCH MTG. BRACKET.....	2
7	1911109	SCREW 6-32 X 1/4.....	3
8	7500043	BUTTON CAP-OFF SWITCH.....	1
9	7500030	BUTTON CAP-ON SWITCH.....	1
10	7500044	ON-SWITCH.....	1
11	6200003	POWER CORD SET.....	1
12	1145247	PLASTIC CAP.....	2
13	7500041	BAG ROD.....	2
14	1925215	PLASTIC WASHER.....	4
15	1902813	SCREW 8-32 X 1-1/4.....	4
*16	6180036	CUTTER DRIVE GEAR.....	1
17	1146775	MOTOR W/PINION.....	1
18	1132555	FAN BLADE.....	1
19	1903208	SCREW 5/16-18 X 3/4.....	4
20	1952414	STRAIN RELIEF.....	1
21	1902804	SCREW 8-32 X 3/8.....	2
22	1931001	CABLE CLAMP.....	2
23	1911106	SCREW #8-32 X 3/8.....	1
24	7500051	SHIM, OFF SWITCH.....	1
25	1130994	LOCKWASHER.....	1
26	1130993	LOCKNUT.....	1
27	1132542	SPACER.....	1
28	1902809	SCREW 8-32 X 1/2.....	2
29	6205000	12.5 MICRO-FARAD CAPACITOR.....	2
30	1132543	SUPPORT STRIPPER.....	2
31	1907101	SCREW 10-32 X 1/2.....	20
32	1907301	SCREW 6-32 X 3/8.....	2
33	1926801	NUT, KEPS, 6-32.....	4
34	1132538	STRIPPER BACK, UPPER.....	1
35	1146887	UPPER CUTTER.....	1
36	1132554	PAPER GUIDE-UPPER.....	1
37	1146886	LOWER CUTTER.....	1
38	7500035	UPPER CROSS BAR.....	1
39	1119440	CONNECTOR.....	4
40	1963701	'O' RING 1/4 ID X 1/16 W.....	4
41	7500040	RELAY.....	1
42			
43	1911104	SCREW 8-32 X 5/16.....	5
44	7500038	LOWER PAPER GUIDE.....	1
45	1155010	NAME PLATE.....	1
46	1902606	F.H. SCREW 6-32 X 3/8.....	2
47	1132539	STRIPPER BACK, LOWER.....	1
48	1146793	BAR, GUARD.....	1
49	1911116	SCREW 6-32 X 3/8.....	4

\* Must also order 7500136 ( Motor spacer plate) and ( 1952005 ( Short bearing )

## 8.0 PARTS LIST

### 8.1 Part Descriptions 1026S (Continued)

ITEM #	PART NO.	DESCRIPTION	QTY
50	1924804	SPACER 6-32 THREAD.....	2
51	1146792	GUARD.....	1
52	1911103	SCREW 10-32 X 1/2.....	4
53	1145352	PACK OF TEN BAGS.....	1
54	1931605	GRIP RING 5/8 DIA.....	1
55	6000000	INSTRUCTION MANUAL.....	1
56	1132547	GEAR, CUTTER.....	2
57	1852817	KEY 3/16 SQ X 3/8 LG.....	2
58	1931604	GRIP RING 1/2 DIA.....	1
59	6009006	WARNING LABEL, LOOSE CLOTHING..	1
60	6009007	WARNING LABEL, SERIOUS INJURY..	1
61	6009000	CAUTION LABEL, ELECTRIC SHOCK..	1
62	1132572	BEARING, FLANGE.....	3
63	7500045	HEADSTOCK.....	1
64	1132573	BEARING, FLANGE.....	1
65	7500046	TAILSTOCK.....	1
66	1145889	KEY 3/16 SQ X 5/8 LG.....	2
67	7500053	RESISTOR ASSY, 10 OHM, 11W.....	1
68	1954421	INSULATING TUBING.....	1
70	1932121	WIRE TIE.....	5
77	6005006	CARTON.....	1
78	6006000	RIGHT END CAP.....	1
79	6006001	LEFT END CAP.....	1