

---

# 5. Parts List (PL)

## Section Contents

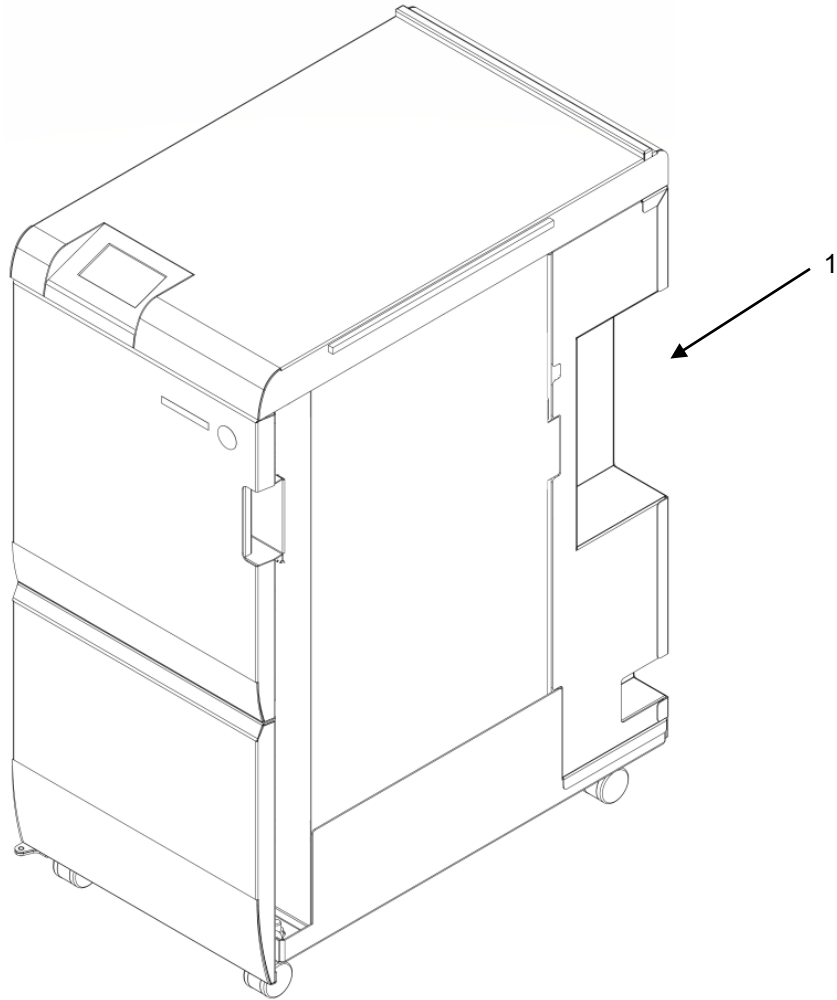
- 1. Main Assembly ..... 2**
  - PL 1.1. Final Assembly ..... 2
  - PL 1.2. Cabinet- Covers..... 3
- 2. Frame Assembly ..... 4**
  - PL 2.1. Frame Assembly- Paper path panels ..... 4
  - PL 2.2. Frame Assembly- Front side ..... 5
  - PL 2.3. Frame Assembly- Rear Side ..... 6
  - PL 2.4. Frame Assembly- Drive Rollers..... 7
  - PL 2.5. Frame Assembly- Internal Parts ..... 8
  - PL 2.6. Frame Assembly- Motors and Motor Drivers..... 9
  - PL 2.7. Frame Assembly- Sensors ..... 10
  - PL 2.8. Frame Assembly- Solenoids / Switches ..... 11
  - PL 2.9. Frame Assembly- Belts ..... 12
- 3. Paper Path ..... 13**
  - PL 3.1. Paper Path- Entrance Drive Panel ..... 13
  - PL 3.2. Paper Path- Entrance Idler Panel..... 14
  - PL 3.3. Paper Path- Acceleration Roller Idler ..... 15
  - PL 3.4. Paper Path- Exit Idler Panel ..... 16
  - PL 3.5. Paper Path- Upper Bypass Panel ..... 17
  - PL 3.6. Paper Path- Disengaging Roller Solenoid..... 18
- 4. Punch Module ..... 19**
  - PL 4.1. Punch Module..... 19
  - PL 4.2. Punch Module (continued)..... 20
  - PL 4.3. Punch Module- Motors/Sensors ..... 21
  - PL 4.4. Punch Module- Steering Module ..... 23
  - PL 4.5. Punch Module- Steering Module - Steering Idler Panel Sub  
Assembly ..... 24
  - PL 4.6. Punch Module- Steering Module - Drive Panel Steering..... 25
  - PL 4.7. Punch Module- Stepper Alignment Bracket ..... 26
  - PL 4.8. Punch Module- Punch Clutch..... 27
  - PL 4.9. Punch Module- Die Set Recognition Reader Board ..... 28
  - PL 4.10. Punch Module- Die Rail, Backgage, Align Sensors, Sub  
Assembly ..... 29
  - PL 4.11. Punch Module- AC Motor ..... 30
- 5. Die Sets ..... 31**
- 6. Electronics ..... 32**
  - PL 6.1. Electronics PCB Assembly ..... 32
  - PL 6.2. Control Board Bracket Sub Assembly ..... 33

- PL 6.3. Cable Part Number Index ..... 34
- 7. Installation Kit Parts ..... 35**

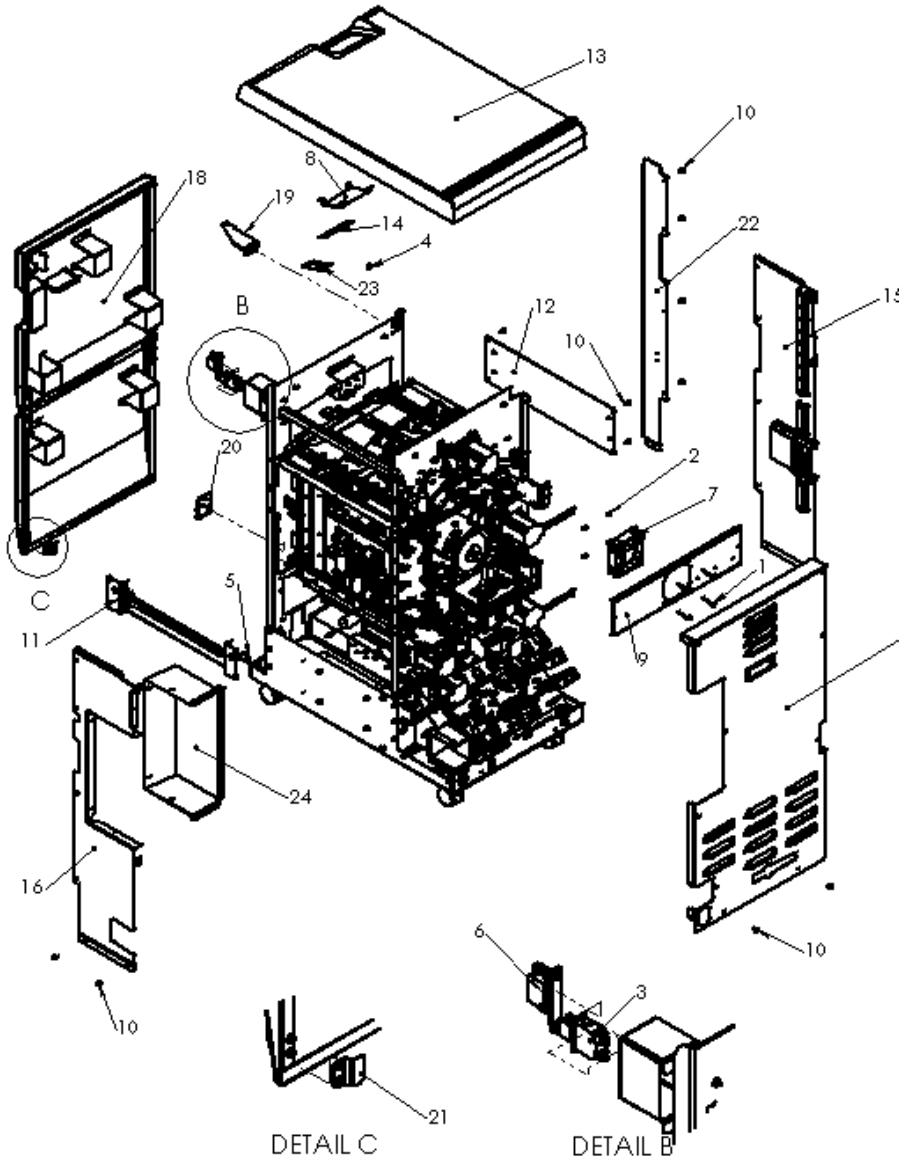
# Main Assembly

## PL 1.1. Final Assembly

ITEM	Part #	DESCRIPTION	QTY
1	7724200	STREAMPUNCH PLUS 115V	1
	7724210	STREAMPUNCH PLUS 230V	1



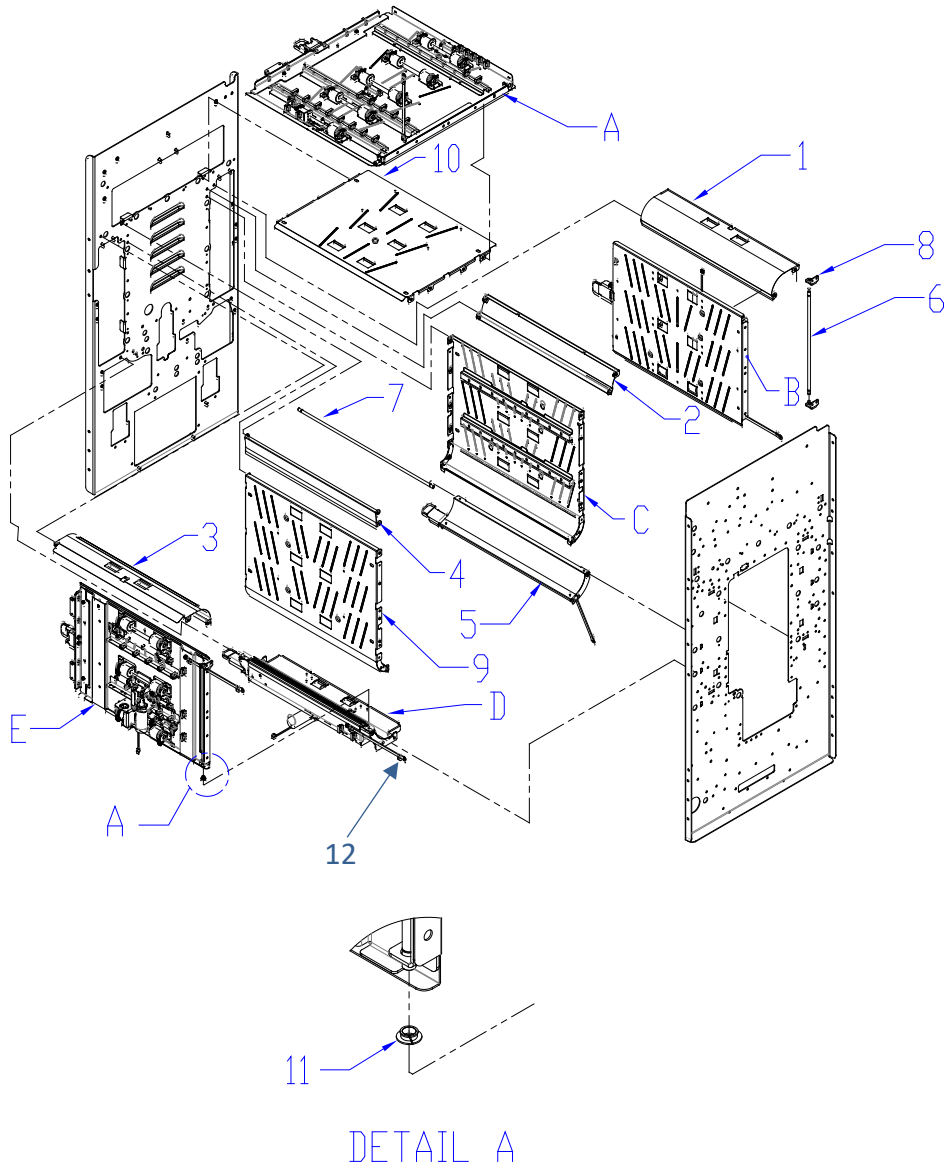
PL 1.2. Cabinet- Covers



ITEM	GBC Part #	Ricoh Part #	DESCRIPTION	QTY
1	1823905	VRC52034	SCREW, PHILLIPS HX HD M4X35	4
2	1824001	VRC52040	NUT, KEPS M4	4
3	7610501	VRC52058	INTERLOCK SWITCH	1
4	1823901	VRC52031	SCREW, PHILLIPS, HEX HD M3X6	-
5	7706447	VRC52060	MAGNET, FRONT DOOR	1
6	7706486	VRC52061	LATCH, PUSH TO CLOSE	1
7	7715267	VRC52119	FAN, EXHAUST	1
8	Z7723665	VRC52539	LCD, TOUCHSCREEN, 4.3"	1
9	7715574	VRC52177	BRACKET, EXHAUST FAN	1
10	7715632	VRC52183	SCREW,ROUND TIP,HEX,M4X8	-
11	7715723	VRC52194	DOCKING ASSEMBLY	1
12	7715724	VRC52195	PLATE, DOCKING, DOWNSTREAM	1
13	Z7723668	VRC52540	ASSEMBLY, TOP COVER, SPARTA 2.0, RICOH	1
14	Z7724422		RIBBON CABLE, LCD	1
15	7715747	VRC52199	COVER, SIDE, DOWNSTREAM , REAR	1
16	7718675	VRC52534	COVER, SIDE, UPSTREAM, REAR, WELDMENT	1
17	7718676	VRC52535	COVER, REAR, ASSEMBLY, SPARTA	1
18	7724208	VRC62547	DOOR, FRONT, ASSEMBLY, SPARTA 2, RICOH	1
19	7715759	VRC52203	BRACKET,FRNT DOOR HINGE, TOP	1
20	7715761	VRC52204	BRACKET,FRNT DOOR, BOTTOM	1
21	7715766	VRC52205	BRACKET, DOOR, MAGNET,	1
22	7715767	VRC52206	COVER, SIDE, DOWNSTRM, FRONT	1
23	Z7723646	VRC52536	ADAPTER PCB, LCD TOUCHSCREEN	1
24	7715749	VRC52526	POCKET, SIDE COVER, UPSTREAM, RICOH	1

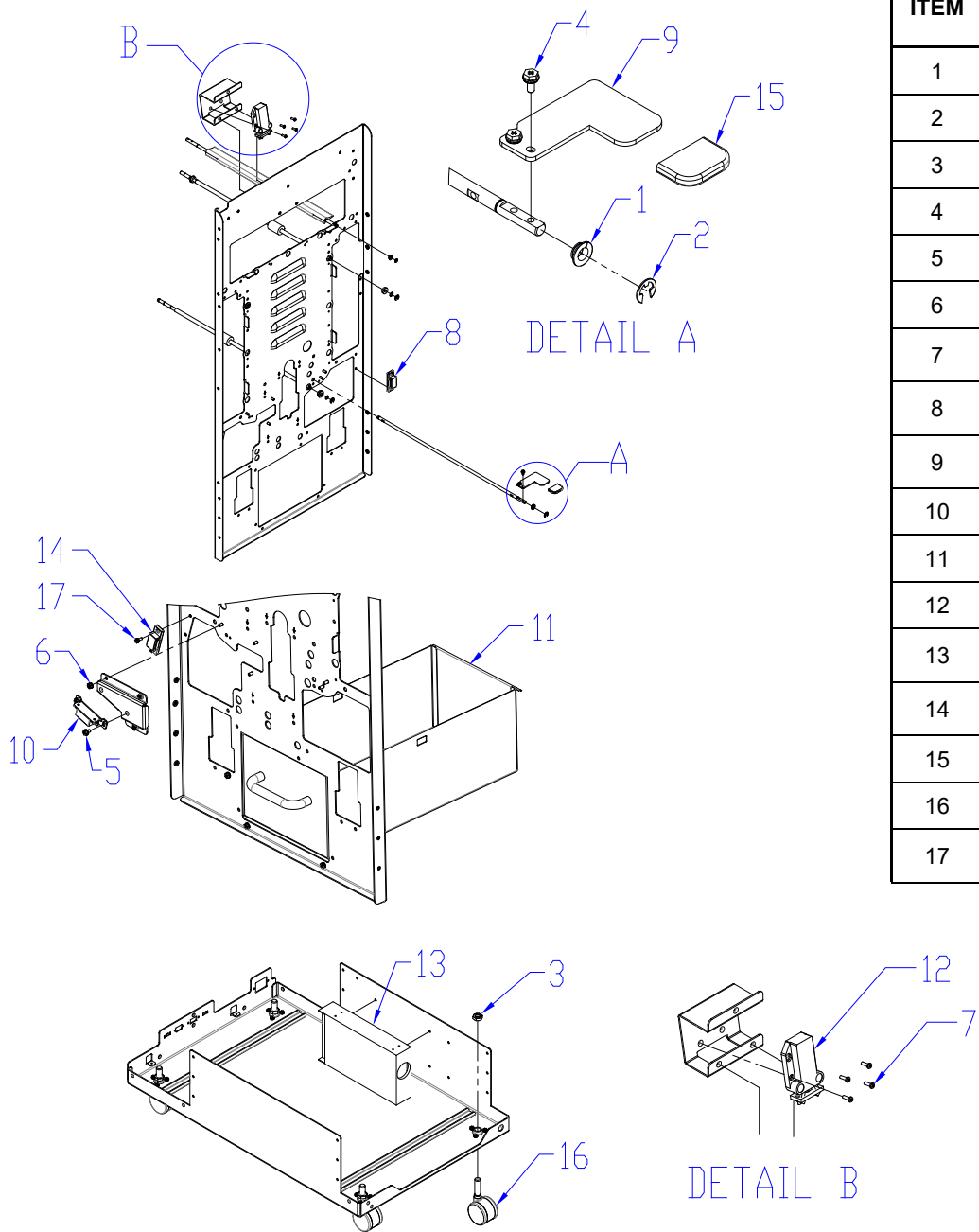
# Frame Assembly

## PL 2.1. Frame Assembly- Paper path panels



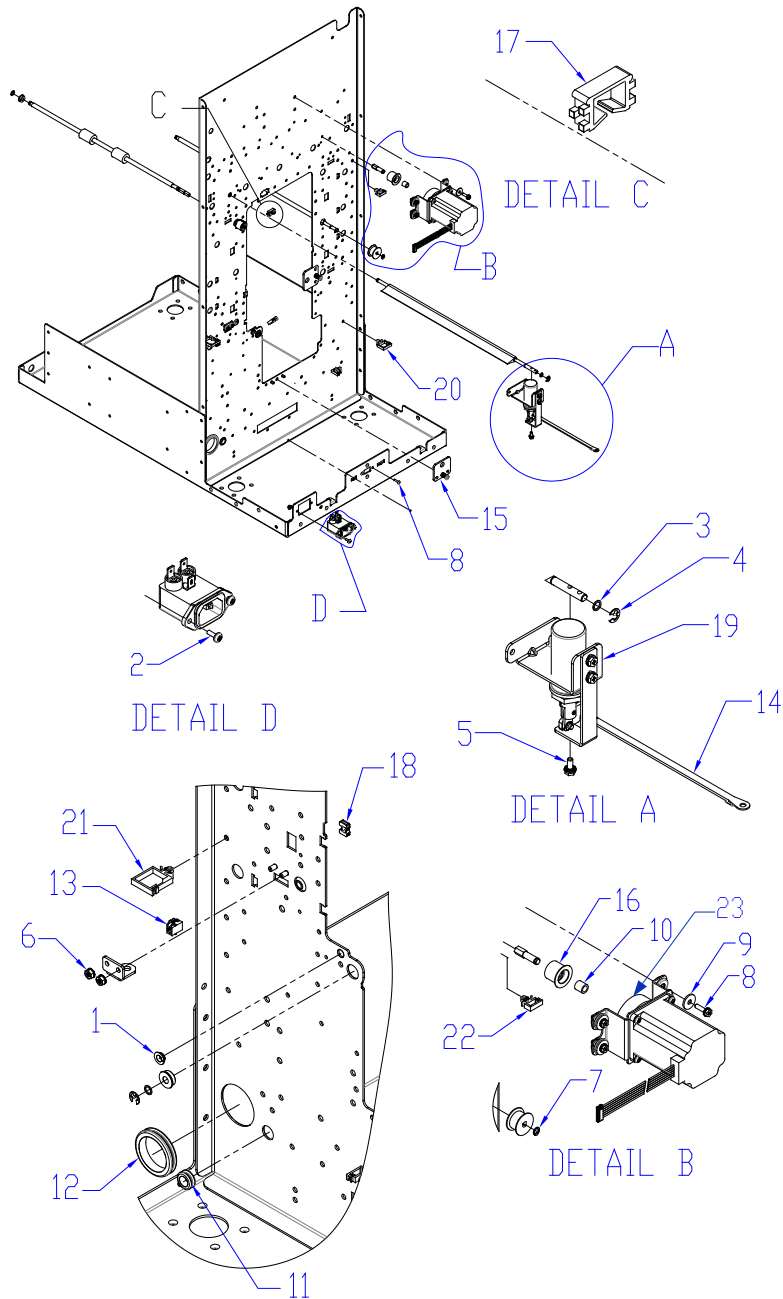
ITEM	GBC Part #	Ricoh Part #	DESCRIPTION	QTY
A	PL 5.5		UPPER BYPASS PANEL	1
B	PL 5.2		ENTRANCE IDLER PANEL	1
C	PL 5.1		ENTRANCE DRIVE PANEL	1
D	PL 5.3		ACCELERATION IDLER PANEL	1
E	PL 5.4		EXIT IDLER PANEL	1
1	7715101	VRC52085	PANEL, ENTRANCE, LOWER	1
2	7715102	VRC52086	PANEL, ENTRANCE, INNER	1
3	7715146	VRC52090	PANEL, EXIT, LOWER	1
4	7715153	VRC52092	PANEL, EXIT, INNER	1
5	Z7724137	VRC52542	PANEL ASSEMBLY, LOWER, EXIT	1
6	7715209	VRC52102	SHAFT, IDLER PANEL HINGE	2
7	7715210	VRC52103	SHAFT, IDLR PANEL HINGE, LONG	2
8	7715251	VRC52118	BRACKET, IDLER PANEL MOUNT	6
9	7715150	VRC52091	PANEL WELDMENT, DRIVE, EXIT	1
10	7715128	VRC52088	PANEL WLDMNT, BYPASS, LOWER	1
11	1821209	VRC52003	SNAP-IN BEARING, 6MM ID [Qty. (2) used on all Idler panels- #A, #B, #D, #E and #5	10
12	7718619	VRC52531	SHAFT, IDLER PANEL HINGE, OFFSET GROOVE, LONG	1

**PL 2.2. Frame Assembly- Front side**



ITEM	GBC Part #	Ricoh Part #	DESCRIPTION	QTY
1	1821209	VRC52003	SNAP-IN BEARING, 6MM ID	2
2	1822202	VRC52024	E-RING, JE-5	4
3	1823711	VRC52030	JAM NUT, M16X2.0	4
4	1823901	VRC52031	SCREW, HX, W/SEMS,M3X6	2
5	1823909	VRC52036	SCREW, HX, W/SEMS M4X6	2
6	1824001	VRC52040	NUT, KEPS M4	3
7	1821606	VRC52008	SCREW, PHILLIPS PAN HD, M3X10	6
8	7715195	VRC52098	MAGNET, PANEL, OPEN, STRONG	1
9	7715215	VRC52105	HANDLE, ACCEL IDLER LATCH	1
10	7715385	VRC52136	MAGNET, BRACKET, ASSY	1
11	7715427	VRC52138	CHIP TRAY, ASSEMBLY	1
12	7715650	VRC52188	LATCH, BYPASS	1
13	7715637	VRC52184	POWER SUPPLY, 24V, MW SP 480,	1
14	7715789	VRC52211	MAGNET, PANEL, OPEN, WEAK	3
15	7708163	VRC52064	CAP, RUBBER, RAIN BLUE	2
16	7715630	VRC52182	CASTER, ADJUSTABLE	4
17	1823913	VRC52039	SCREW, HX, W/SEMS, M3 X 8	8

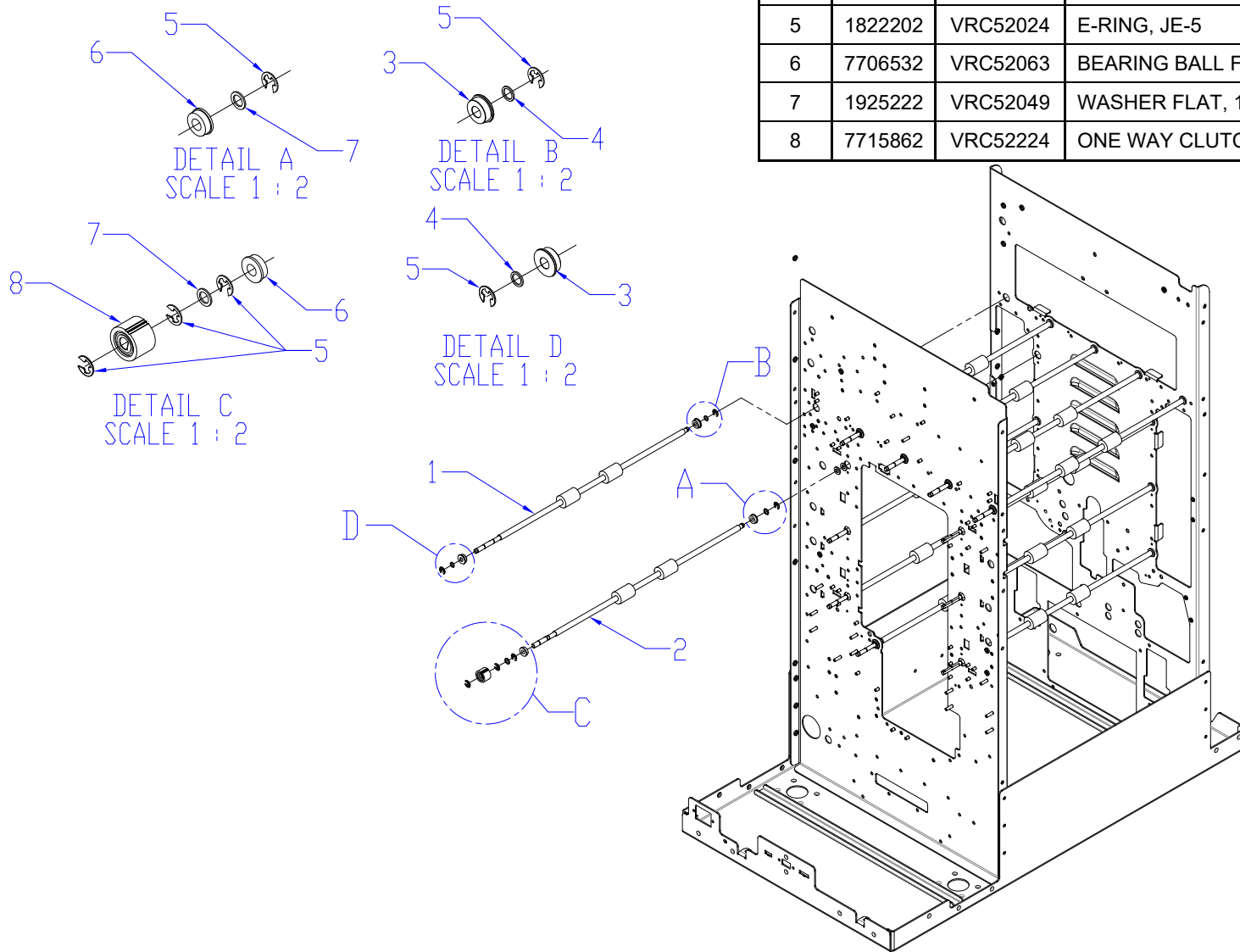
**PL 2.3. Frame Assembly- Rear Side**



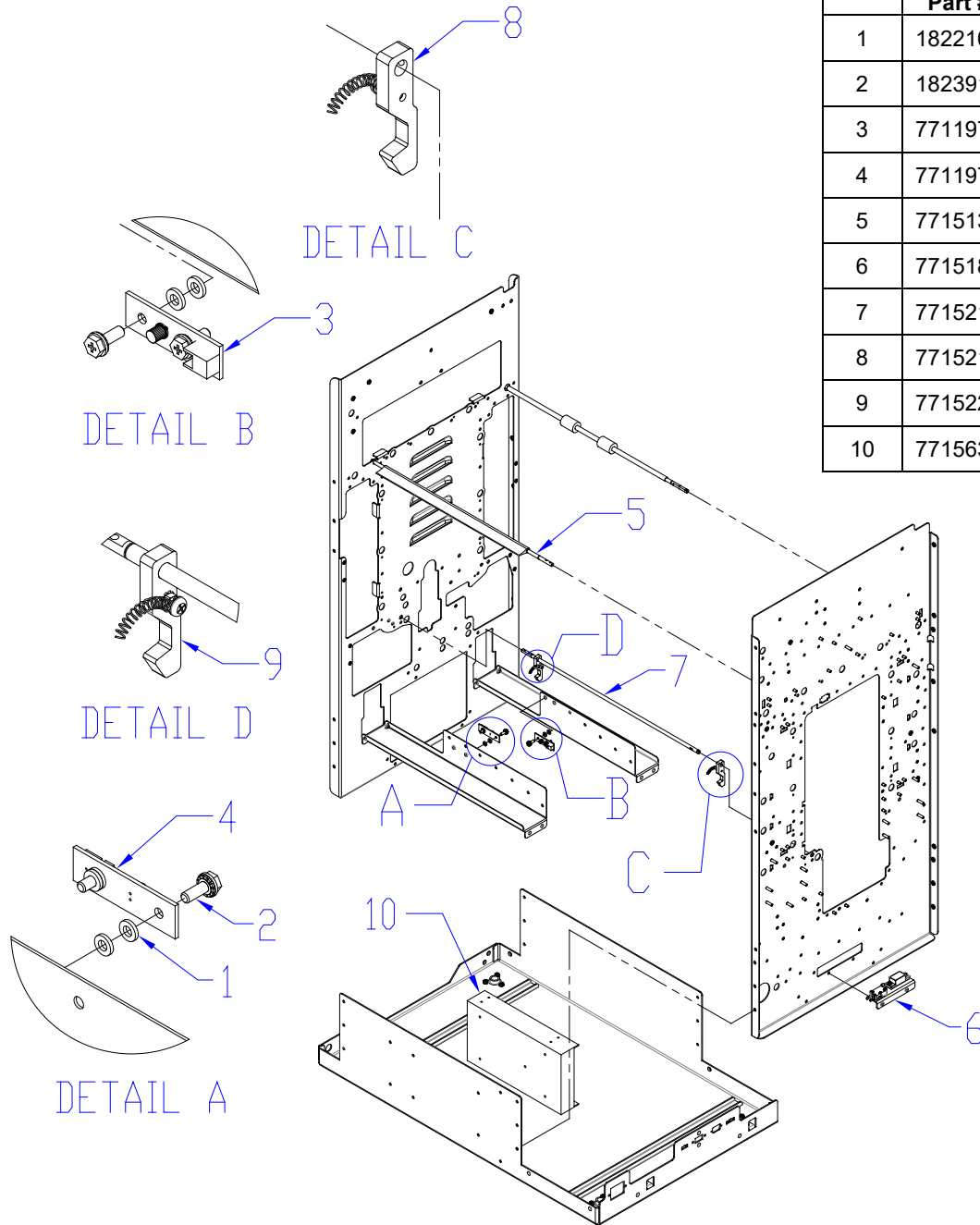
ITEM	GBC Part #	Ricoh Part #	DESCRIPTION	QTY
1	1821209	VRC52003	Snap-in Bearing, 6mm ID	2
2	1821611	VRC52009	SCREW, PHILLIPS HD W/SEMS, M3X10	2
3	1822005	VRC52018	WASHER, FLAT, 6.025 X 8 X 0.75	2
4	1822202	VRC52024	E-RING, JE-5	7
5	1823910	VRC52037	SCREW, PHILLIPS HX HD W/SEMS M4 X 14	12
6	1824001	VRC52040	NUT, KEPS M4	32
7	1825501	VRC52233	RETAINING RING, 6MM SHAFT	15
8	1902863	VRC52046	SCREW, MACHINE PAN #4-40x15/32 PHILLIPS	2
9	1925044	VRC52048	WSHR, .192 ID X .625 OD X .060 T	20
10	1952208	VRC52050	SPACER, TIMING BELT IDLERS, BRONZE	4
11	1954011	VRC52051	GROMMET, 3/8 I.D X 1/2 O.D	11
12	1954032	VRC52052	GROMMET, 1 1/4 I.D. X 1 1/2 O.D.	1
13	7712703	VRC52068	WIRE HEADER CONNECTOR, 2 POS	6
14	7714679	VRC52234	GROUND STRAP, M4	1
15	7715185	VRC52096	BRACKET, PUNCH MODULE MOUNT	2
16	7715383	VRC52134	ROLLER, IDLER, DRIVE ASSY,	4
17	7715390	VRC52137	WIRE CLAMP, EDGE	1
18	7715445	VRC52139	WIRE CLAMP, EDGE, SMALL	2
19	7715813	VRC52214	SOLENOID, BRACKET, DIVERTER, SUB ASSY	1
20	7715818	VRC52217	WIRE SADDLE, MEDIUM, LOCKING TOP, V-0	10
21	7715819	VRC52218	WIRE SADDLE, LARGE, LOCKING TOP, V-0	8
22	7715817	VRC52216	WIRE SADDLE, SMALL, LOCKING TOP, V-0	32
23	7715201	VRC52269	STEPPER MOTOR PULLEY	5

PL 2.4. Frame Assembly- Drive Rollers

ITEM	GBC Part #	Ricoh Part #	DESCRIPTION	QTY
1	7715093	VRC52083	ROLLER ASSY, DRIVE	11
2	7715097	VRC52084	ROLLER ASSY, ONE WAY CLUTCH DRIVE	1
3	1821116	VRC52001	BEARING, BALL, FLANGE 6X13X5, SUJ2	22
4	1822005	VRC52018	WASHER, FLAT, 6.025 X 8 X 0.75	22
5	1822202	VRC52024	E-RING, JE-5	26
6	7706532	VRC52063	BEARING BALL FLANGE	2
7	1925222	VRC52049	WASHER FLAT, 1/4X3/8X1/32	2
8	7715862	VRC52224	ONE WAY CLUTCH SUB ASSEMBLY	1



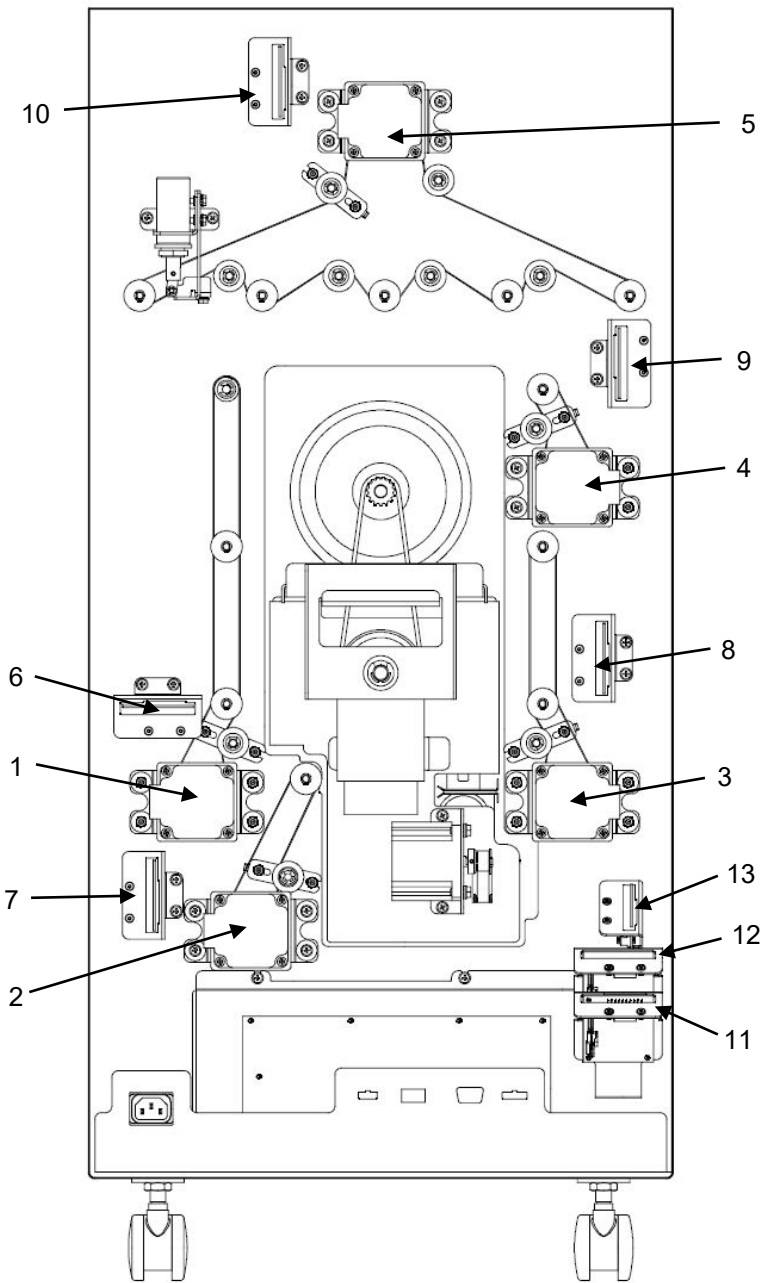
**PL 2.5. Frame Assembly- Internal Parts**



ITEM	GBC Part #	Ricoh Part #	DESCRIPTION	QTY
1	1822108	VRC52051	WASHER, FLAT, 4.1X8X1.5	8
2	1823911	VRC52038	SCREW, PHILLIPS HX HD W/SEMS M4 X 10	4
3	7711970	VRC52065	EMITTER	1
4	7711973	VRC52066	RECEIVER	1
5	7715131	VRC52089	BYPASS DIVERTER	1
6	7715186	VRC52097	CHIP TRAY SENSOR MOUNT ASSY	1
7	7715213	VRC52104	SHAFT, ACCEL IDLER LATCH	1
8	7715216	VRC52106	LATCH, ASSY, REAR, ACCEL IDLER PANEL	1
9	7715222	VRC52108	LATCH, ASSY, FRONT, ACCEL IDLER PANEL	1
10	7715637	VRC52184	POWER SUPPLY, 24V, MW SP 480,	1

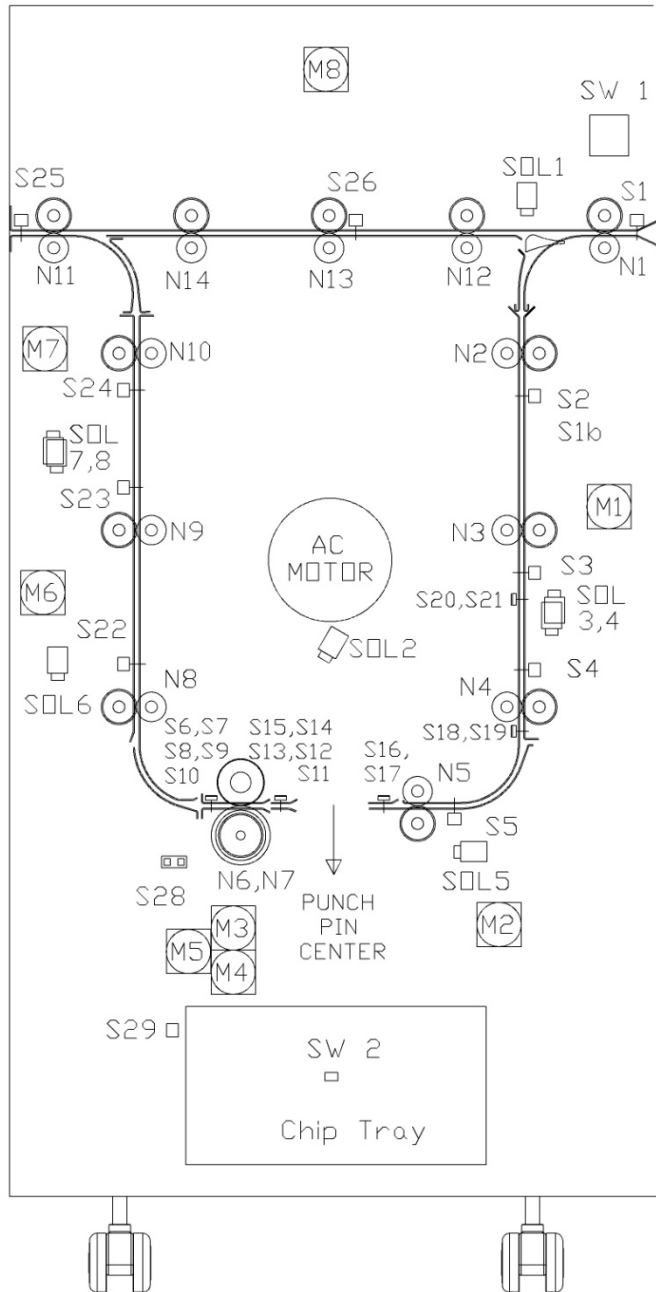


**PL 2.6. Frame Assembly- Motors and Motor Drivers**



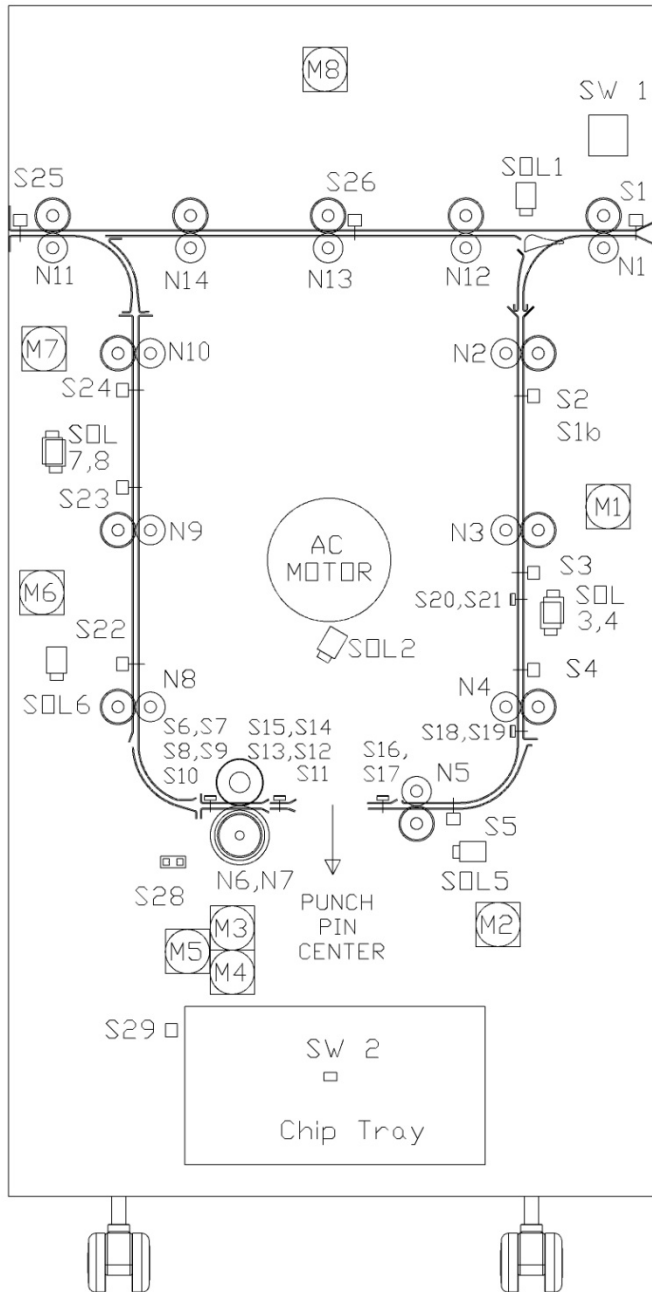
ITEM	GBC Part #	Ricoh part #		DESCRIPTION	QTY
1	7715159	VRC52093	M1	ENTRANCE MOTOR STEPPER AND MOUNT ASSY	1
2	7715159	VRC52093	M2	ACCEL MOTOR STEPPER AND MOUNT ASSY	1
3	7715159	VRC52093	M6	EXIT MOTOR STEPPER AND MOUNT ASSY	1
4	7715159	VRC52093	M7	DECEL MOTOR STEPPER AND MOUNT ASSY	1
5	7715159	VRC52093	M8	BYPASS MOTOR STEPPER AND MOUNT ASSY	1
6	7715275	VRC52120	DRV M1	M1 STEPPER DRIVER DRIVER AND BRACKET ASSY, TWO PHASE	1
7	7715275	VRC52120	DRV M2	M2 STEPPER DRIVER DRIVER AND BRACKET ASSY, TWO PHASE	1
8	7715275	VRC52120	DRV M6	M6 STEPPER DRIVER DRIVER AND BRACKET ASSY, TWO PHASE	1
9	7715275	VRC52120	DRV M7	M7 STEPPER DRIVER DRIVER AND BRACKET ASSY, TWO PHASE	1
10	7715275	VRC52120	DRV M8	M8 STEPPER DRIVER DRIVER AND BRACKET ASSY, TWO PHASE	1
11	7715275	VRC52120	DRV M3	M3 STEPPER DRIVER DRIVER AND BRACKET ASSY, TWO PHASE	1
12	7715275	VRC52120	DRV M4	M4 STEPPER DRIVER DRIVER AND BRACKET ASSY, TWO PHASE	1
13	7715275	VRC52120	DRV M5	M5 STEPPER DRIVER DRIVER AND BRACKET ASSY, TWO PHASE	1
SEE PL 6.3 FOR STEPPER MOTOR M3, M4 AND M5 POSITIONS					

**PL 2.7. Frame Assembly- Sensors**

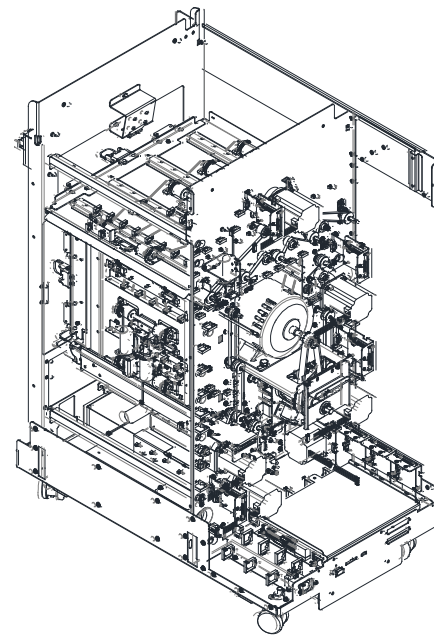


ITEM	GBC Part #	Ricoh Part #		DESCRIPTION	QTY
1	7715627	VRC52180	S1	ENTRANCE SENSOR, S1	1
2	7715291	VRC52121	S2	ENTRANCE SENSOR, TOP	1
3	7715291	VRC52121	S3	ENTRANCE SENSOR, MIDDLE	1
4	7715291	VRC52121	S4	ENTRANCE SENSOR, BOTTOM	1
5	7715291	VRC52121	S5	ACCEL SENSOR	1
6	7715692	VRC52190	S6 S7 S8 S9 S10	SKEW SENSOR BOARD	1
7	7718567	VRC52263	S11 S12 S13 S14 S15	ALIGNMENT SENSOR BOARD, SWITCHABLE	1
8	Z7724178	VRC52515	S16 S17	PACKAGE SENSOR BOARD ASSY	1
9	Z7724178	VRC52515	S18 S19	MID PUNCH LARGE, SENSOR PACKAGE SENSOR BOARD ASSY	1
10	Z7724178	VRC52515	S20 S21	MID PUNCH X- LARGE, SENSOR PACKAGE SENSOR BOARD ASSY	1
11	7715291	VRC52121	S22	EXIT SENSOR, BOTTOM	1
12	7715291	VRC52121	S23	EXIT SENSOR, MIDDLE	1
13	7715291	VRC52121	S24	EXIT SENSOR, TOP	1
14	7715291	VRC52121	S25	EXIT SENSOR	1
15	7715291	VRC52121	S26	BYPASS SENSOR, MIDDLE	1
16	7715597	VRC52178	S28	ALIGN HOME SENSOR	1
17	7711970	VRC52065	S29	CHIP LEVEL SENSOR - EMITTER	1
	7711973	VRC52066	S29	CHIP LEVEL SENSOR - RECEIVER	1
18	7715774	VRC52207	S1B	CLEAR COVER SENSOR-EMITTER	1
	7711973	VRC52066	S1B	CLEAR COVER SENSOR-RECEIVER	1

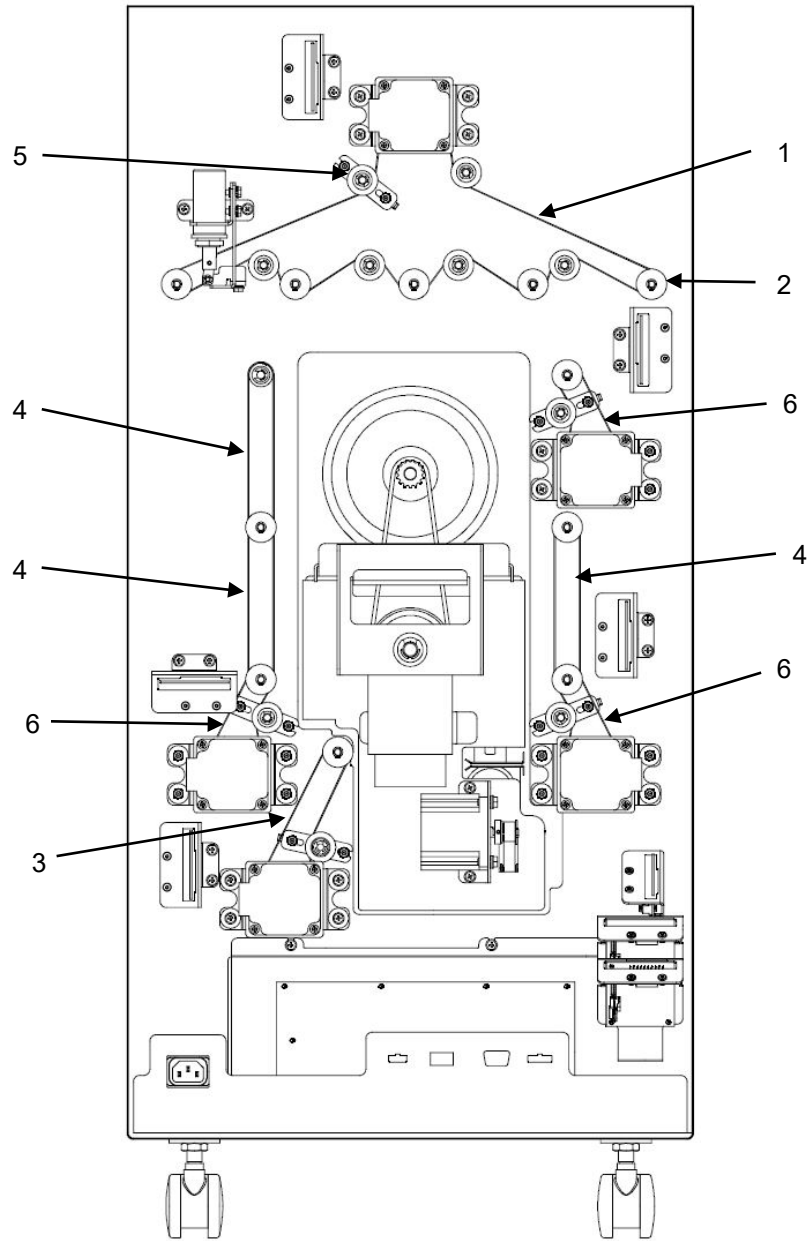
**PL 2.8. Frame Assembly- Solenoids / Switches**



ITEM	GBC Part #	Ricoh Part #		DESCRIPTION	QTY
1	7715813	VRC52214	SOL 1	DIVERTER SUBASSEMBLY	1
2	7715020	VRC52069	SOL 2	PUNCH CLUTCH	1
3	Z7724133	VRC52109	SOL 3	ENTRANCE IDLER SOLENOID, MIDDLE	1
4	Z7724133	VRC52109	SOL 4	ENTRANCE IDLER SOLENOID, BOTTOM	1
5	Z7724133	VRC52109	SOL 5	ACCELERATION ROLLER SOLENOID	1
6	Z7724133	VRC52109	SOL 6	EXIT IDLER SOLENOID, BOTTOM	1
7	Z7724133	VRC52109	SOL 7	EXIT IDLER SOLENOID, MIDDLE	1
8	Z7724133	VRC52109	SOL 8	EXIT IDLER SOLENOID, TOP	1
9	7610501	VRC52058	SW1	FRONT DOOR INTERLOCK SWITCH	1
10	7715186	VRC52097	SW2	CHIP TRAY HOME SWITCH ASSEMBLY	1



**PL 2.9. Frame Assembly- Belts**

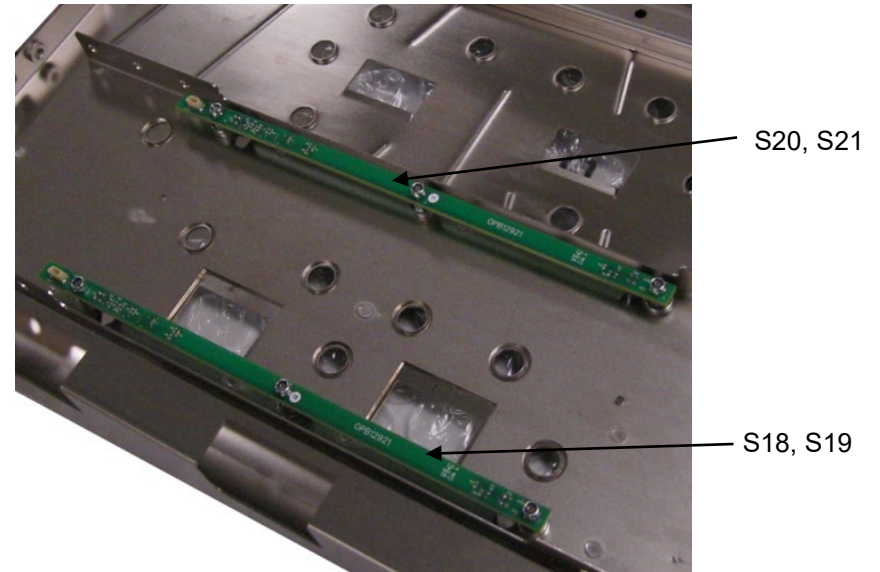
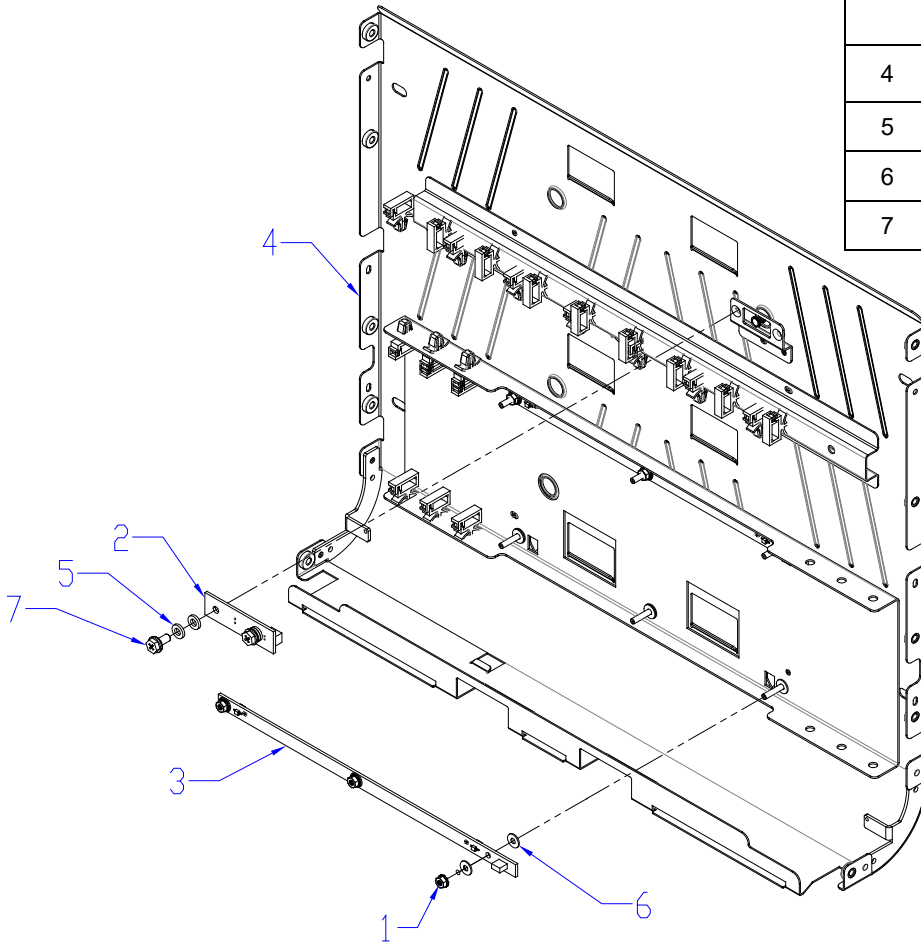


ITEM	GBC Part #	Ricoh Part #	DESCRIPTION	QTY
1	7715202	VRC52009	BELT, 534T, 2MM 2GT	1
2	7715204	VRC52100	PULLEY,TIMING,2MM 2GT,30T	14
3	7715206	VRC52101	BELT, 179T, 2MM 2GT	1
4	7715243	VRC52115	BELT, 150 T, 2MM 2GT	3
5	7715245	VRC52116	TENSIONER ASSEMBLY	5
6	7715246	VRC52117	BELT, 134T, 2MM 2GT	3

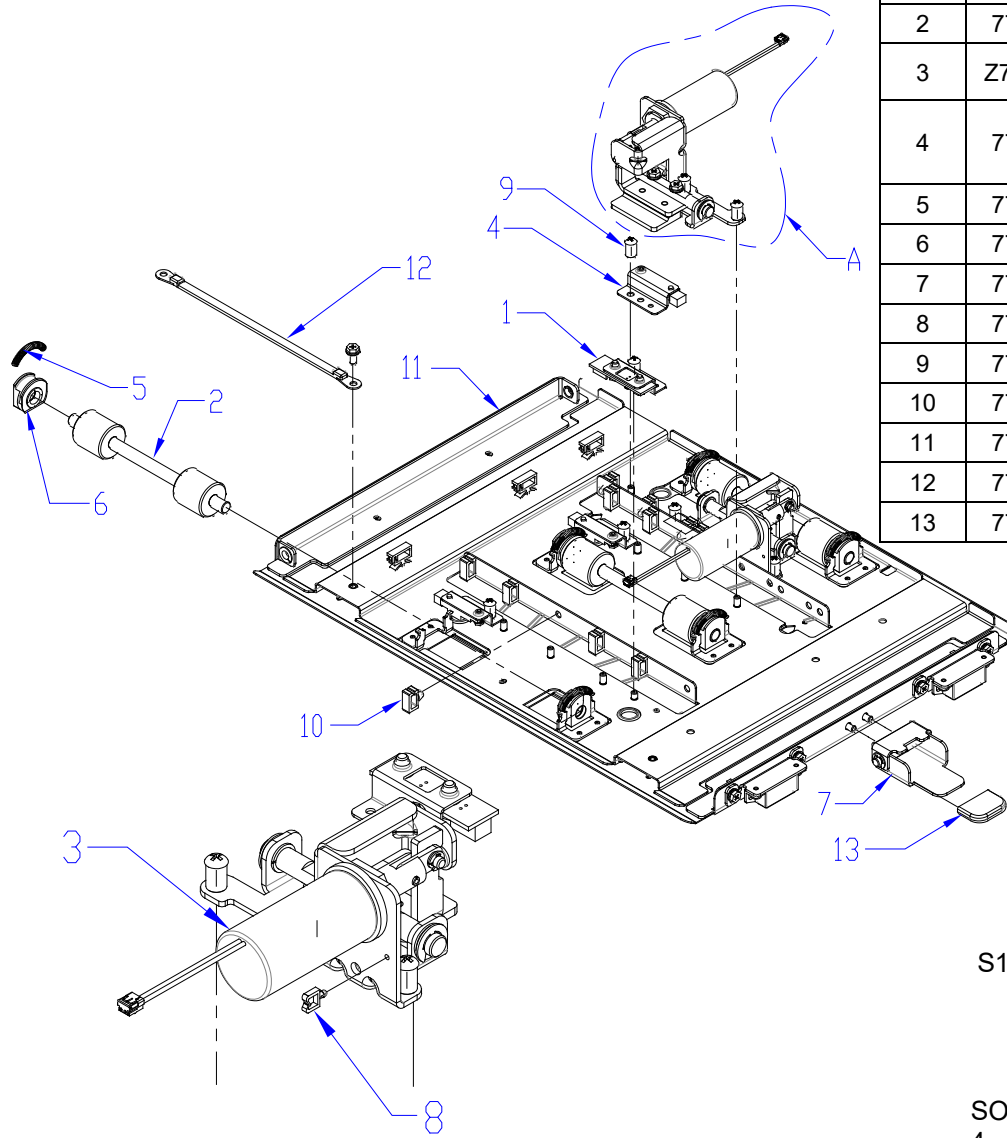
# Paper Path

## PL 3.1. Paper Path- Entrance Drive Panel

ITEM	GBC Part #	Ricoh Part #		DESCRIPTION	QTY
1	1824002	VRC52041		NUT, KEPS, M3	6
2	7711973	VRC52066		RECEIVER	1
3	Z7724178	VRC52515	S18 S19	MID PUNCH, LARGE, SENSOR BOARD BOARD ASSY, BACKGAGE SENSOR	1
	Z7724178	VRC52515	S20 S21	MID PUNCH, X LARGE, SENSOR BOARD BOARD ASSY, BACKGAGE SENSOR	1
4	7715871	VRC52226		PANEL WLDMNT,DRIVE,ENTRANCE,SERVICE	1
5	1822108	VRC52021		WASHER, FLAT, 4.1X 8X1.5	4
6	1822117	VRC52023		WASHER, 3.2ID, 8OD, 0.75MM THICK	12
7	1823903	VRC52033		SCREW, PHILLIPS, HX HD M4X8	2

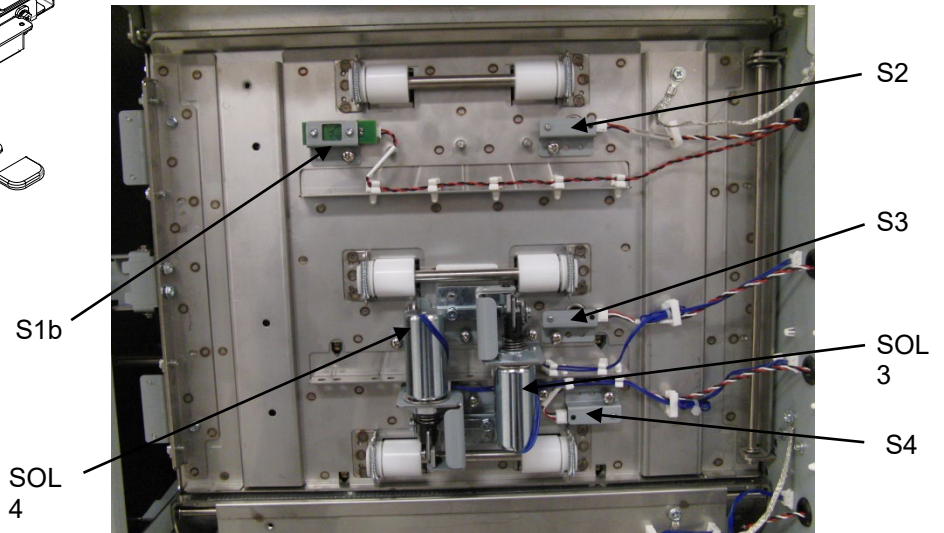


**PL 3.2. Paper Path- Entrance Idler Panel**

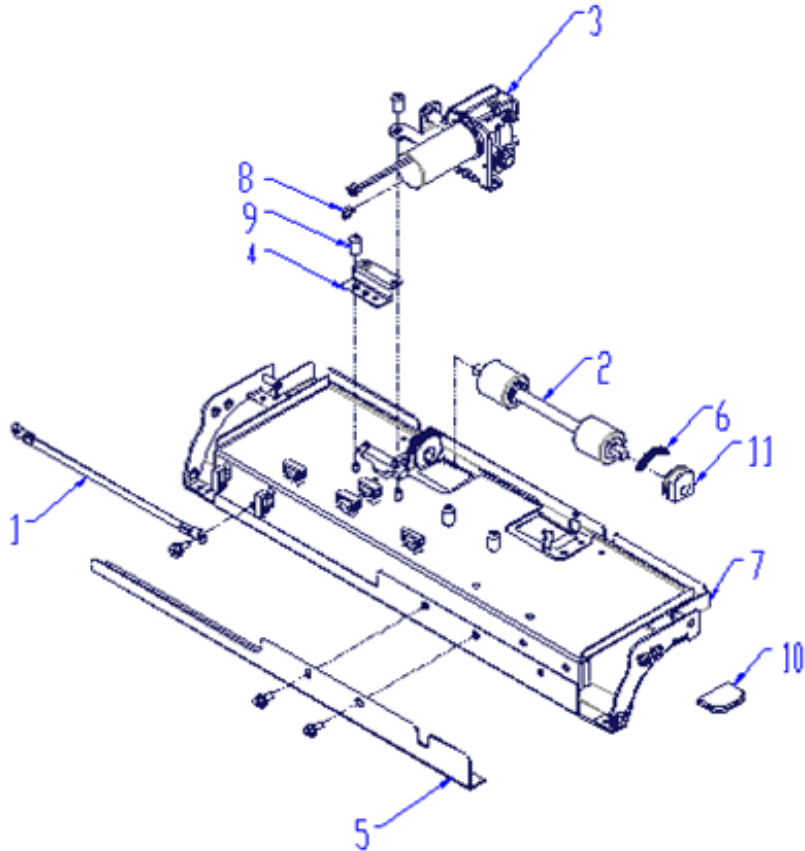


DETAIL A

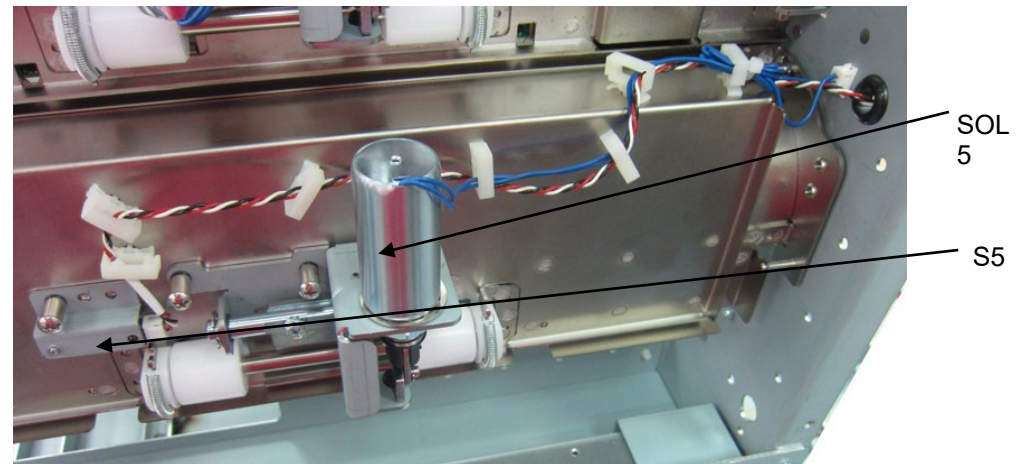
ITEM	GBC Part #	Ricoh Part #		DESCRIPTION	QTY
1	7711970	VRC52065	S1b	EMITTER	1
2	7715103	VRC52087		ROLLER ASSY, IDLER	3
3	Z7724133	VRC52541	SOL3 SOL4	MODULE, SOLENOID, DISENGAGING ROLLER	2
4	7715291	VRC52121	S2 S3 S4	SENSOR AND BRACKET ASSY	3
5	7717410	VRC52530		SPRING, TRANSPORT IDLR ROLLER	6
6	7715382	VRC52133		BEARING HOUSING	6
7	7715384	VRC52135		HANDLE ASSY, IDLER PANELS	1
8	7715625	VRC52179		WIRE SADDLE, SHORT	2
9	7715629	VRC52181		SCREW, BARREL, M4, 7MM DEEP	13
10	7715639	VRC52185		WIRE SADDLE, SMALL, SIDE OPEN	11
11	7715873	VRC52228		PANEL WLDMT, IDLER, ENTRY	1
12	7714679	VRC52234		GROUND STRAP, M4	1
13	7708163	VRC52064		CAP, RUBBER	1



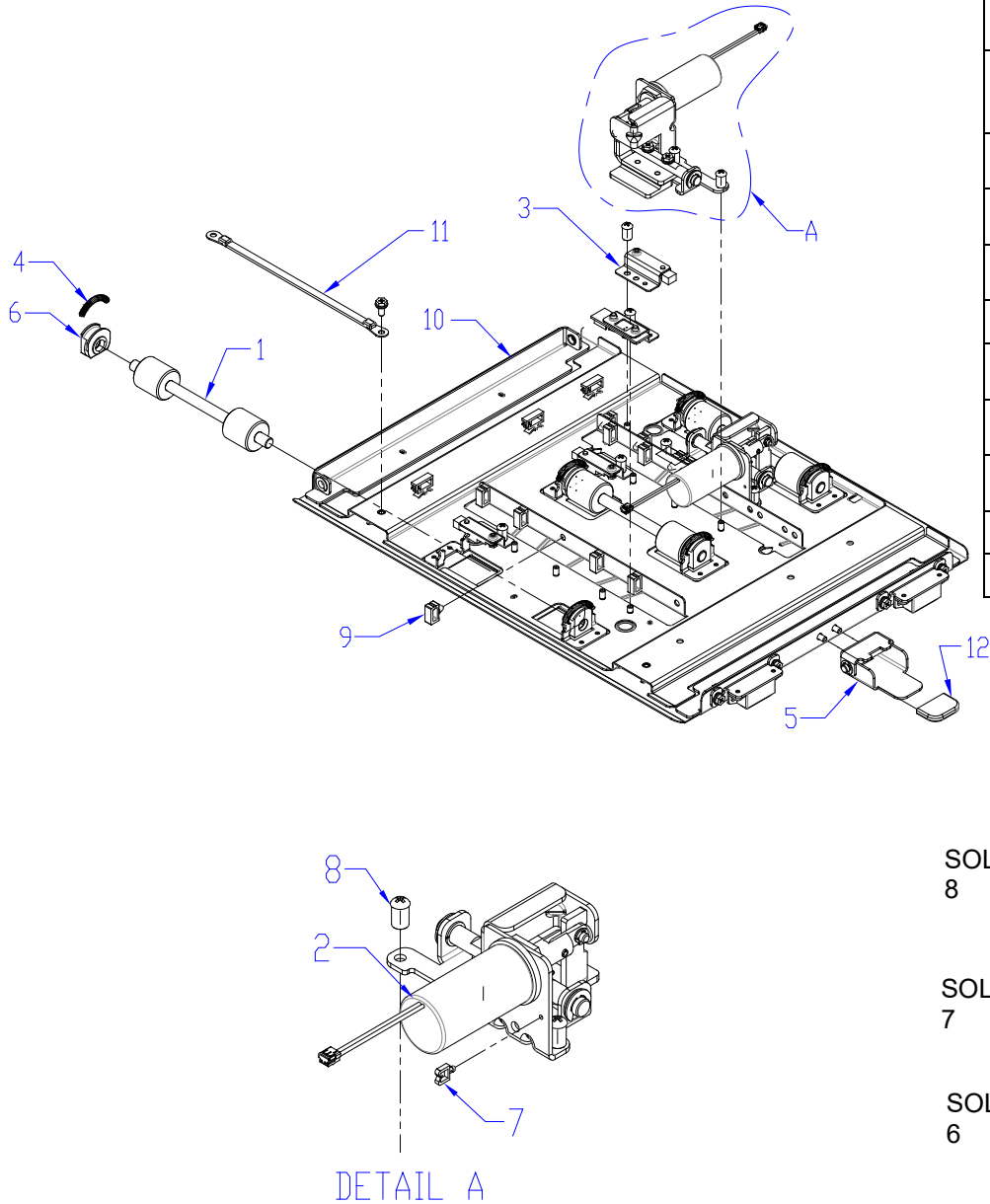
PL 3.3. Paper Path- Acceleration Roller Idler



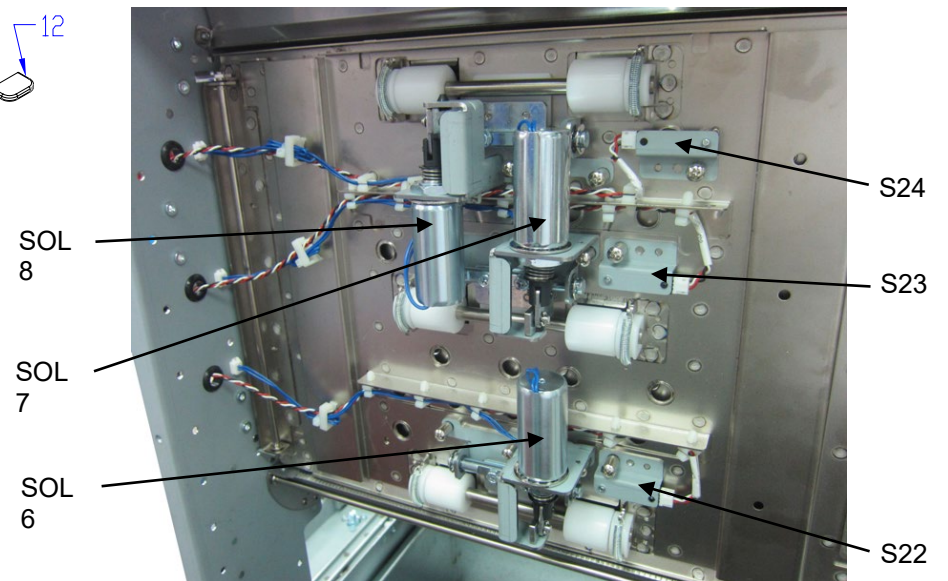
ITEM	GBC Part #	Ricoh Part #		DESCRIPTION	QTY
1	7714679	VRC52234		GROUND STRAP, M4	1
2	7715103	VRC52087		ROLLER ASSY, IDLER	3
3	Z7724133	VRC52541	SOL 5	MODULE, SOLENOID, DISENGAGING ROLLER	1
4	7715291	VRC52121	S5	SENSOR AND BRACKET ASSY	1
5	7718626	VRC52532		BRUSH PLATE, WITH BRUSH	1
6	7717410	VRC52530		SPRING, TRANSPORT IDLER ROLLER	2
7	7718627	VRC52533		PANEL WELDMENT, IDLER, ENTRANCE	1
8	7715625	VRC52179		WIRE SADDLE, SHORT	1
9	7715629	VRC52181		SCREW, BARREL, M4, 7MM DEEP	1
10	7708163	VRC52064		RUBBER, RAIN BLUE	1
11	7715382	VRC52133		BEARING HOUSING ASSY, SPARTA	1



PL 3.4. Paper Path- Exit Idler Panel

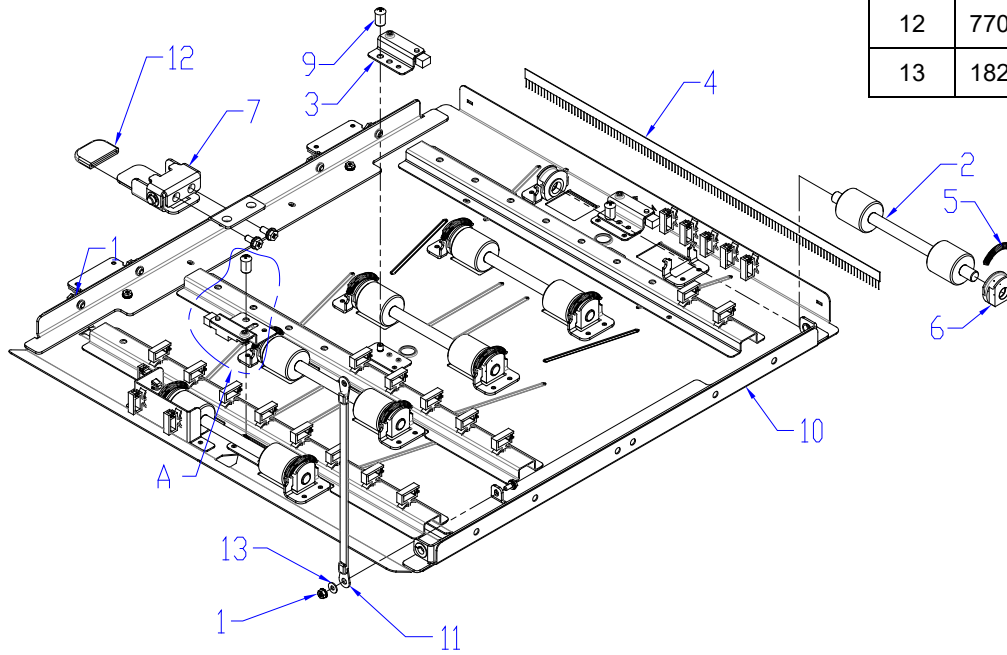
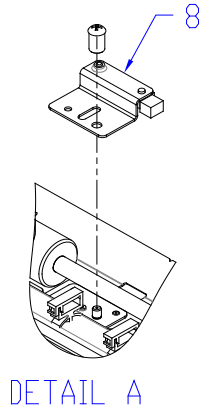


ITEM	GBC Part #	Ricoh Part #		DESCRIPTION	QTY
1	7715103	VRC52087		ROLLER ASSY, IDLER	3
2	Z7724133	VRC52541	SOL6 SOL7 SOL8	MODULE, SOLENOID, DISENGAGING ROLLER	3
3	7715291	VRC52121	S22 S23 S24	SENSOR AND BRACKET ASSY	3
4	7717410	VRC52530		SPRING, TRANSPORT IDLER ROLLERS	6
5	7715384	VRC52135		HANDLE ASSY, IDLER PANELS	1
6	7715382	VRC52133		BEARING HOUSING ASSY	6
7	7715625	VRC52179		WIRE SADDLE, SHORT	3
8	7715629	VRC52181		SCREW, BARREL, M4, 7M M DEEP	12
9	7715639	VRC52185		WIRE SADDLE, SM, SIDE OPEN	8
10	7715874	VRC52229		PANEL WELDMENT, IDLER, EXIT	1
11	7714679	VRC52234		GROUND STRAP, M4	1
12	7708163	VRC52064		CAP, RUBBER	1

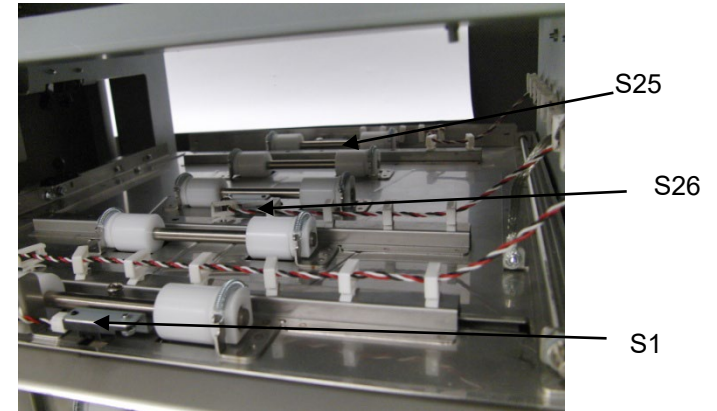




**PL 3.5. Paper Path- Upper Bypass Panel**

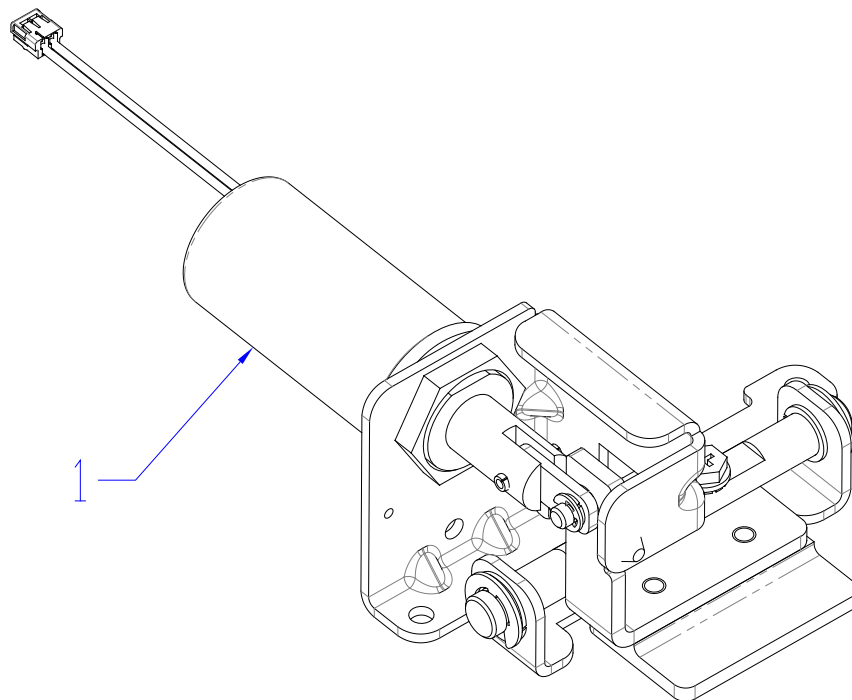


ITEM	GBC Part #	Ricoh Part #		DESCRIPTION	QTY
1	1824002	VRC52041		NUT, KEPS, M3	1
2	7715103	VRC52087		ROLLER ASSY, IDLER	5
3	7715291	VRC52121	S25 S26	SENSOR AND BRACKET ASSEMBLY	2
4	7718594	VRC52363		BRUSH, ANTI-STATIC	1
5	7717410	VRC52530		SPRING, TRANSPORT IDLER ROLLER	10
6	7715382	VRC52133		BEARING HOUSING ASSY	10
7	7715384	VRC52135		HANDLE ASSY, IDLER PANELS	1
8	7715627	VRC52180	S1	SENSOR AND BRACKET ASSY,S1	1
9	7715629	VRC52181		SCREW, BARREL, M4, 7MM DEEP	3
10	7715872	VRC52227		PANEL WELDMENT, BYPASS, UPPER	1
11	7714679	VRC52234		GROUND STRAP, M4	1
12	7708163	VRC52064		CAP, RUBBER	1
13	1822117	VRC52023		WASHER, 3.2ID, 8OD, 0.75MM THICK	1



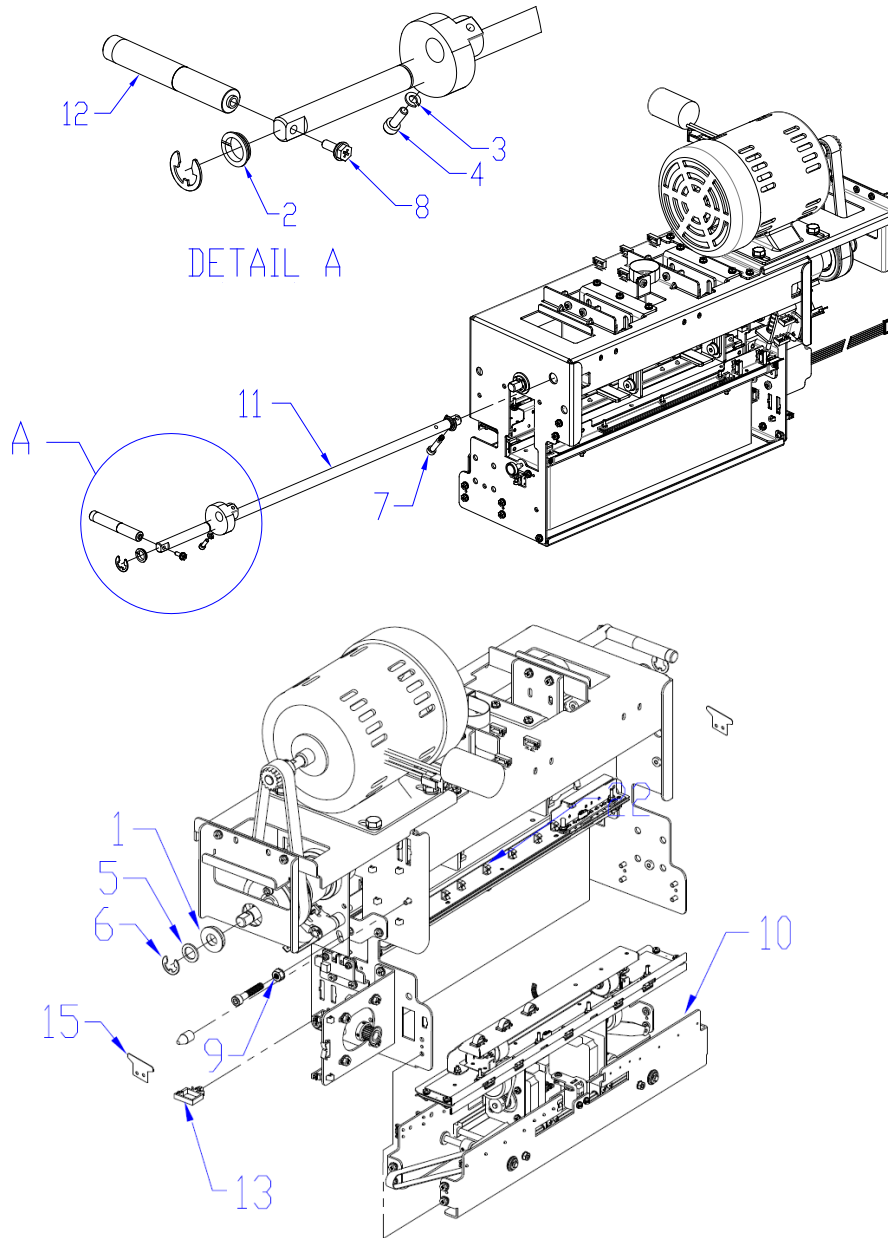
**PL 3.6. Paper Path- Disengaging Roller Solenoid**

ITEM	GBC Part #	Ricoh Part #		Description	QTY
1	Z7724133	VRC52541	SOL 3 SOL 4 SOL 5 SOL 6 SOL 7 SOL 8	MODULE, SOLENOID, DISENGAGING ROLLER	6

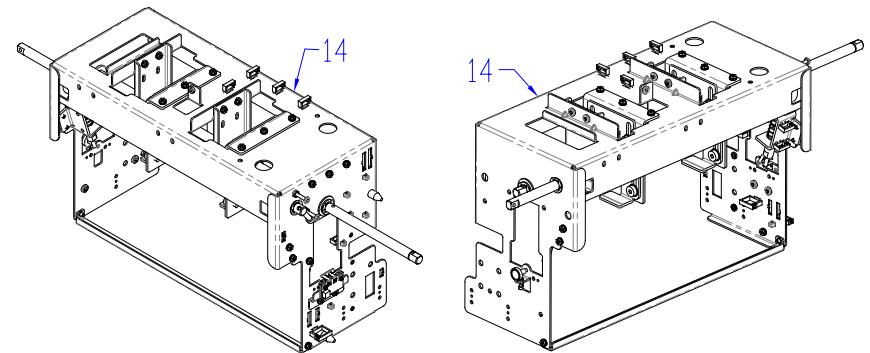


# Punch Module

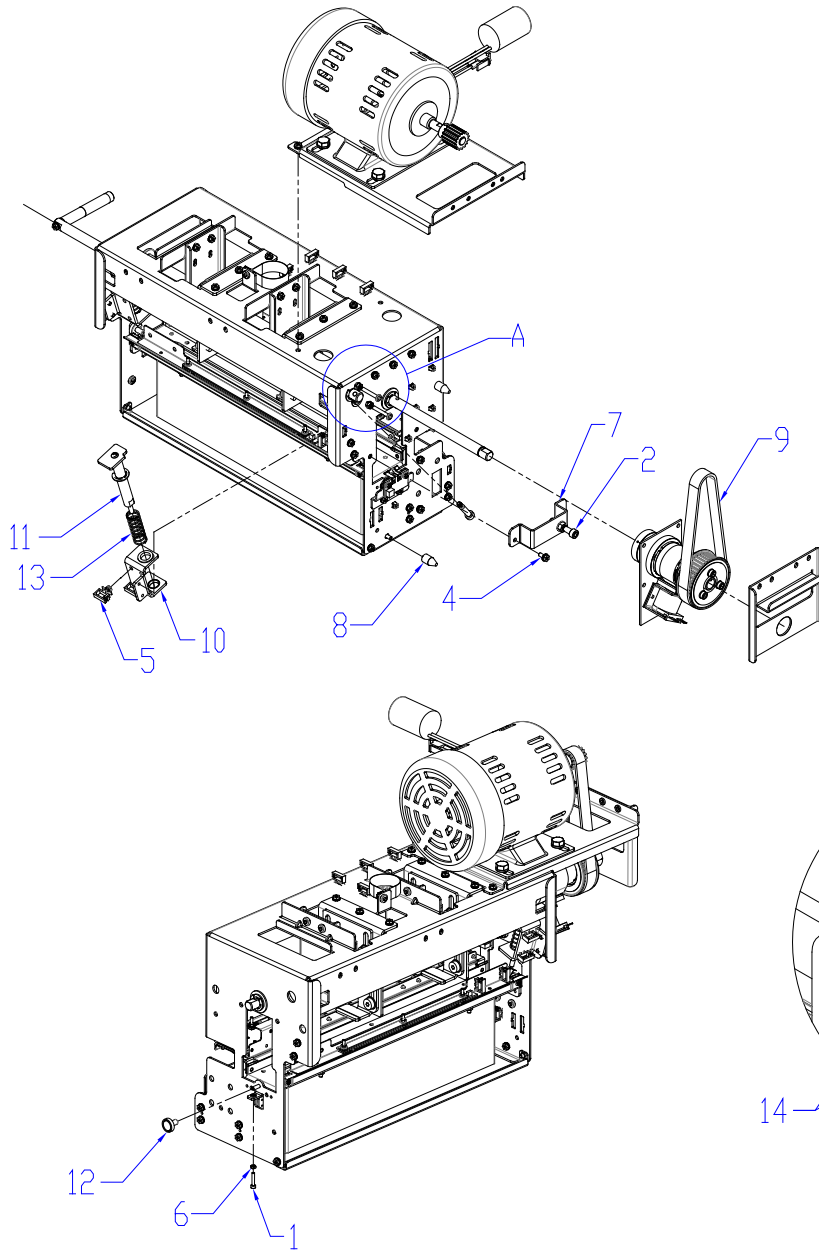
## PL 4.1. Punch Module



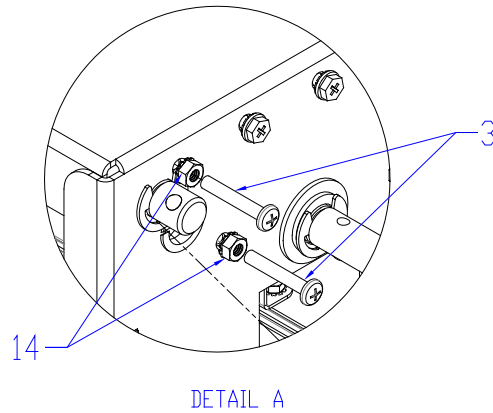
ITEM	GBC Part #	Ricoh Part #		DESCRIPTION	QTY
	Z7723650	VRC52537	115V	PUNCH MODULE, ASSY, 115V	1
	Z7723651	VRC52538	230V	PUNCH MODULE, ASSY, 230V	1
1	1821118	VRC52002		BEARING,BALL,FLANGE,12X24 X6,SUJ2	3
2	1821215	VRC52004		BEARING, CLIP, 12MM	2
3	1821802	VRC52014		Spring washer M4	2
4	1821532	VRC52235		SCREW, SHCS, M4 X 12	2
5	1822016	VRC52020		WASHER,NYLON, ID12.7, OD19, 1.5THK	2
6	1822205	VRC52025		E-RING, JE-10	5
7	1823203	VRC52027		SCREW, SOCKET, M5, 6MM SHOULDER	1
8	1823911	VRC52038		SCREW, PHILLIPS W/SEMS M4X10	1
9	1824003	VRC52042		NUT, KEPS, M6	1
10	7715033	VRC52073		STEERING MODULE SUB ASSY	1
11	7715237	VRC52112		SHAFT, DIE LOCK	1
12	7715368	VRC52125		HANDLE, DIE LOCK	1
13	7715818	VRC52217		WIRE SADDLE,MEDIUM,LOCK TOP,V-0	1
14	7715886			PUNCH MODULE SHELL, SERVICE	1
15	7715985	VRC52249		GUIDE, CHIP DEFLECTOR, FLEXIBLE	2



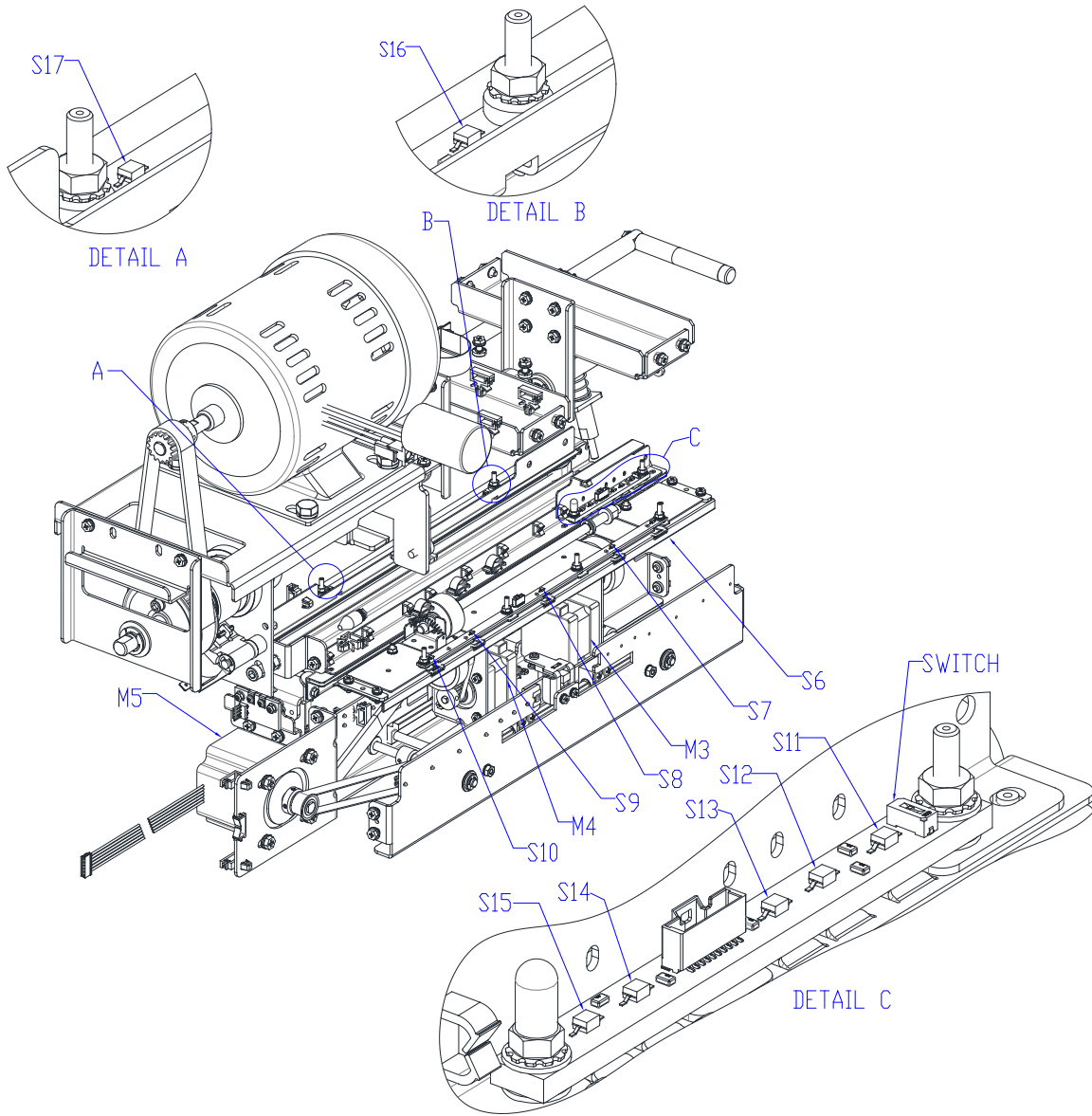
PL 4.2. Punch Module (continued)



ITEM	GBC Part #	Ricoh Part #		DESCRIPTION	QTY
1	1821514	VRC52005		SHCS, M3X12	1
2	1821541	VRC52007		SCREW, SOCKET HD,M6,35MM LONG	1
3	1821655	VRC52010		SCREW, PHILLIPS, PAN HD, M4X25	2
4	1823903	VRC52033		SCREW, PHILLIPS, HX HD M4X8	54
5	1825203	VRC52045		WIRE SADDLE, SNAP TYPE, SMALL	2
6	1823701	VRC52029		NUT, HEX, M3	1
7	7715030	VRC52071		BRACKET, CLUTCH STUD	1
8	7715079	VRC52080		MOUNT PIN, PUNCH MODULE	2
9	7715232	VRC52111	115V	BELT, TIMING, 82 GROOVE, 5MM HTD	1
	7715372	VRC52127	230V	BELT, TIMING, 80 GROOVE, 5MM HTD	1
10	7715238	VRC52113		BRACKET & BEARING ASSY,DIE LOCK	2
11	7715239	VRC52114		PLUNGER & STRIPPER ASSY,DIE LOCK	2
12	7715320	VRC52122		MAGNET, DIE STOP	1
13	7715374	VRC52128		SPRING, DIE LOCK RETURN	2
14	1824001	VRC52040		NUT, KEPS M4	2



**PL 4.3. Punch Module- Motors/Sensors**

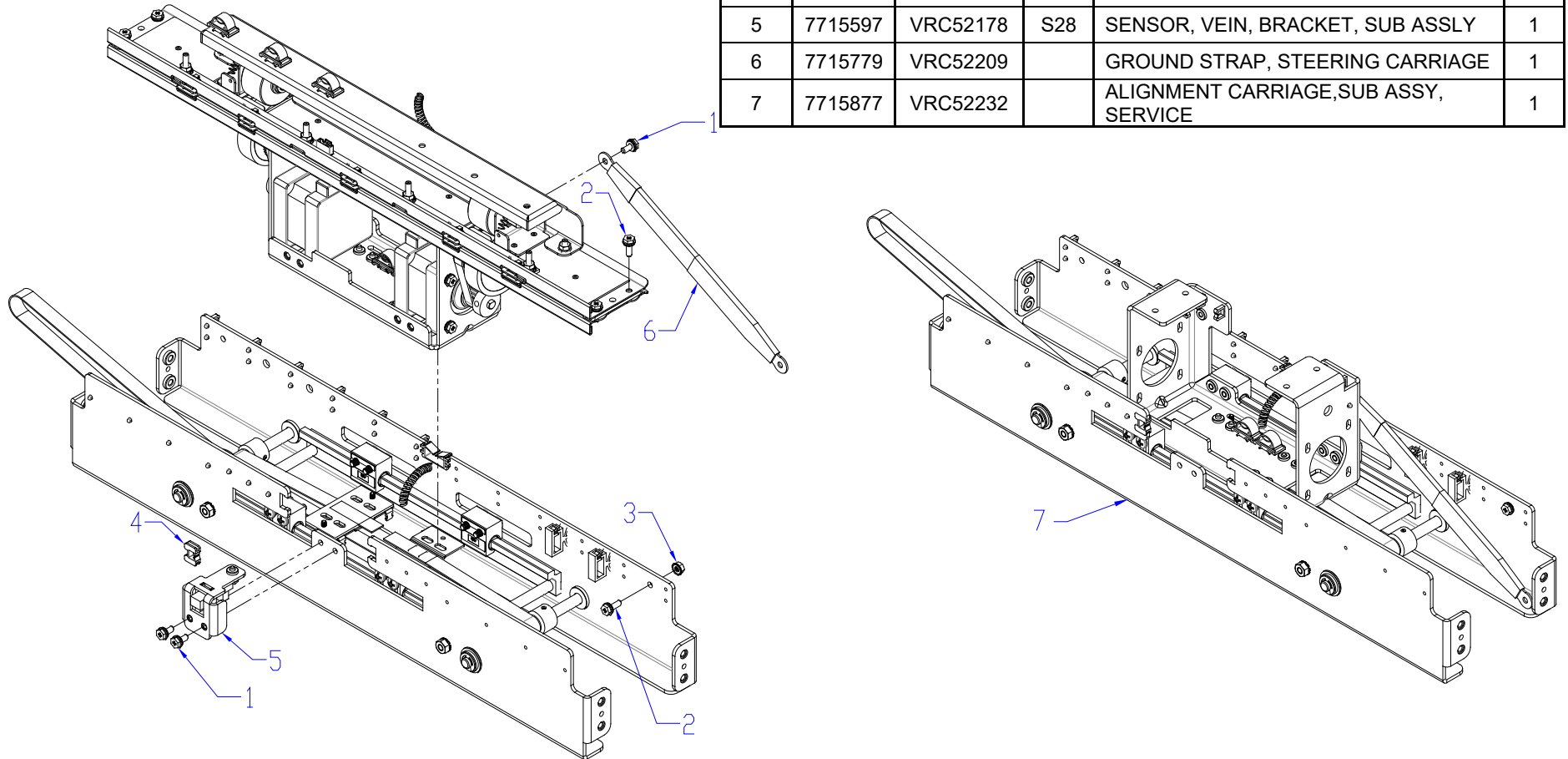


ITEM	GBC Part #	Ricoh Part #	DESCRIPTION	QTY
------	------------	--------------	-------------	-----

1	7715857	VRC52220	M3	LEFT / FRONT STEERING MOTOR AND PULLEY.	1
2	7715857	VRC52220	M4	RIGHT / REAR STEERING MOTOR AND PULLEY.	1
3	7715859	VRC52221	M5	ALIGNMENT STEPPER MOTOR AND PULLEY.	1
4	7715692	VRC52190	S6 S7 S8 S9 S10	SKEW SENSOR BOARD	1
5	7718567	VRC52263	S11 S12 S13 S14 S15	ALIGNMENT SENSOR BOARD, SWITCHABLE	1
6	Z7724178		S16 S17	BACKAGE SENSOR BOARD	1

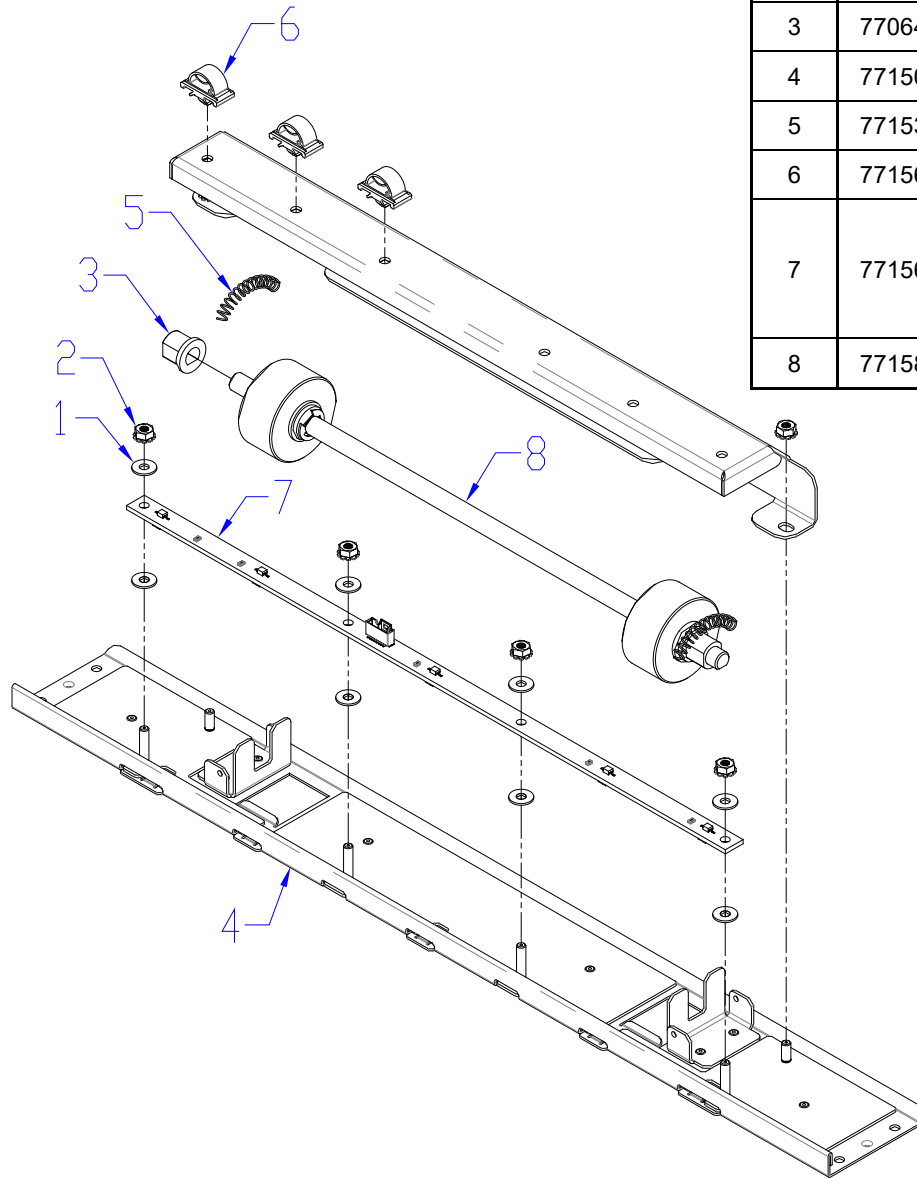
PL 4.4. Punch Module- Steering Module

ITEM	GBC Part #	Ricoh Part #		DESCRIPTION	QTY
1	1823901	VRC52031		SCREW, PHILLIPS HX W/SEMS, M3X6	4
2	1823913	VRC52039		SCREW,PHILIPS-HEX LOCK, M3X8	4
3	1824002	VRC52041		NUT, KEPS, M3	1
4	7715445	VRC52139		WIRE CLAMP, EDGE, SMALL	1
5	7715597	VRC52178	S28	SENSOR, VEIN, BRACKET, SUB ASSLY	1
6	7715779	VRC52209		GROUND STRAP, STEERING CARRIAGE	1
7	7715877	VRC52232		ALIGNMENT CARRIAGE,SUB ASSY, SERVICE	1



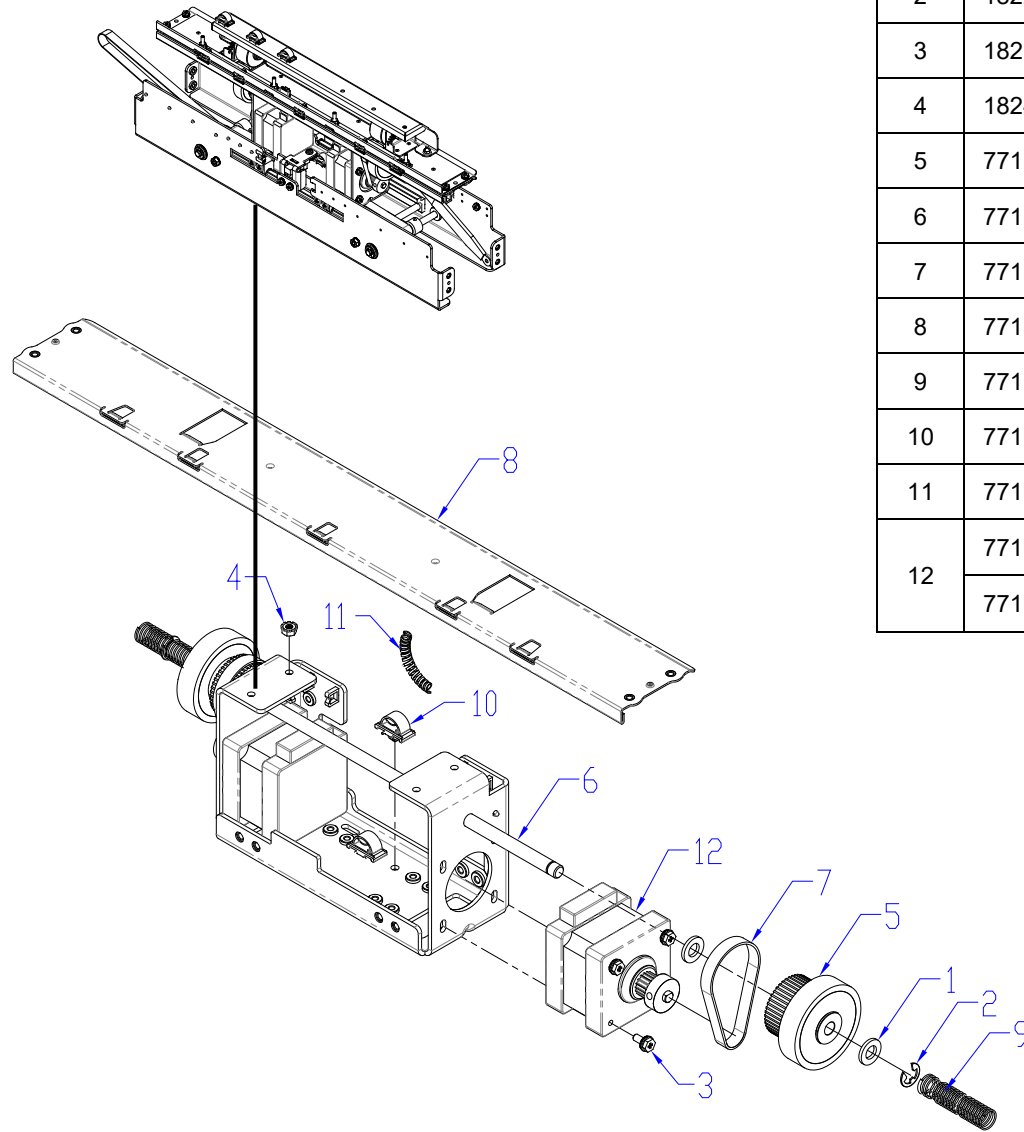
**PL 4.5. Punch Module- Steering Module - Steering Idler Panel Sub Assembly**

ITEM	GBC Part #	Ricoh Part #		DESCRIPTION	QTY
1	1822117	VRC52023		WASHER, 3.2ID, 8OD, 0.75MM THK	8
2	1824002	VRC52041		NUT, KEPS, M3	6
3	7706488	VRC52062		BEARING, DOUBLE "D" FLANGE	2
4	7715062	VRC52078		PANEL WELDMENT, IDLER, STEERING	1
5	7715379	VRC52131		SPRING, STEERING IDLER ROLLER	2
6	7715648	VRC52187		WIRE CLAMP, LOCKING	3
7	7715692	VRC52190	S6 S7 S8 S9 S10	BOARD ASSY, SKEW SENSOR	1
8	7715816	VRC52215		ROLLER ASSY, IDLER, STEERING	1





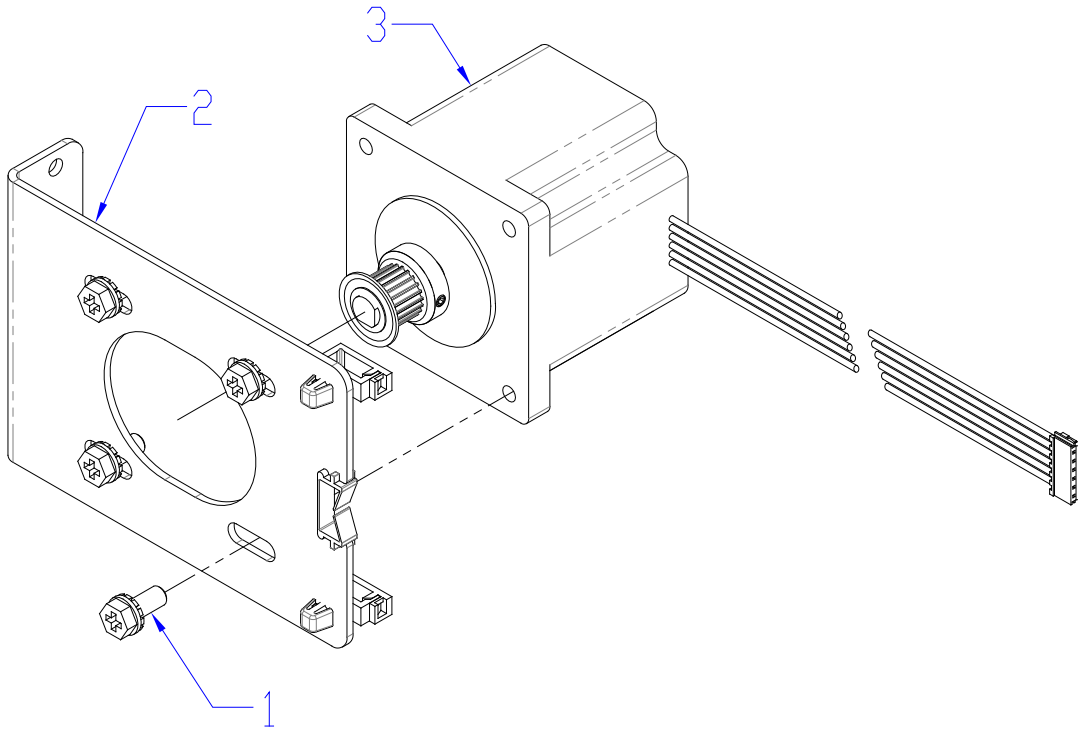
**PL 4.6. Punch Module- Steering Module - Drive Panel Steering**



ITEM	GBC Part #	Ricoh Part #		DESCRIPTION	QTY
1	1822008	VRC52019		WASHER, FLAT, 6.4X12X1.5	4
2	1822202	VRC52024		E-RING, JE-5	4
3	1823901	VRC52031		SCREW, PHILLIPS HX W/SEMS, M3X6	8
4	1824002	VRC52041		NUT, KEPS, M3	4
5	7715039	VRC52074		ROLLER ASSEMBLY, DRIVE, STEERING	2
6	7715044	VRC52075		SHAFT, STEERING DRIVE	1
7	7715047	VRC52076		BELT,STEERING,65 GROOVES,2MM 2GT	2
8	7715053	VRC52077		PANEL WELDMENT, DRIVE, STEERING	1
9	7715377	VRC52130		SPRING, STEERING DRIVE ROLLER	2
10	7715648	VRC52187		WIRE CLAMP, LOCKING	2
11	7715777	VRC52208		SLEEVE, SPIRAL, MOTOR WIRES	1
12	7715857	VRC52220	M3	STEPPER MOTOR AND PULLEY, STEERING, SERVICE	1
	7715857	VRC52220	M4	STEPPER MOTOR AND PULLEY, STEERING, SERVICE	1

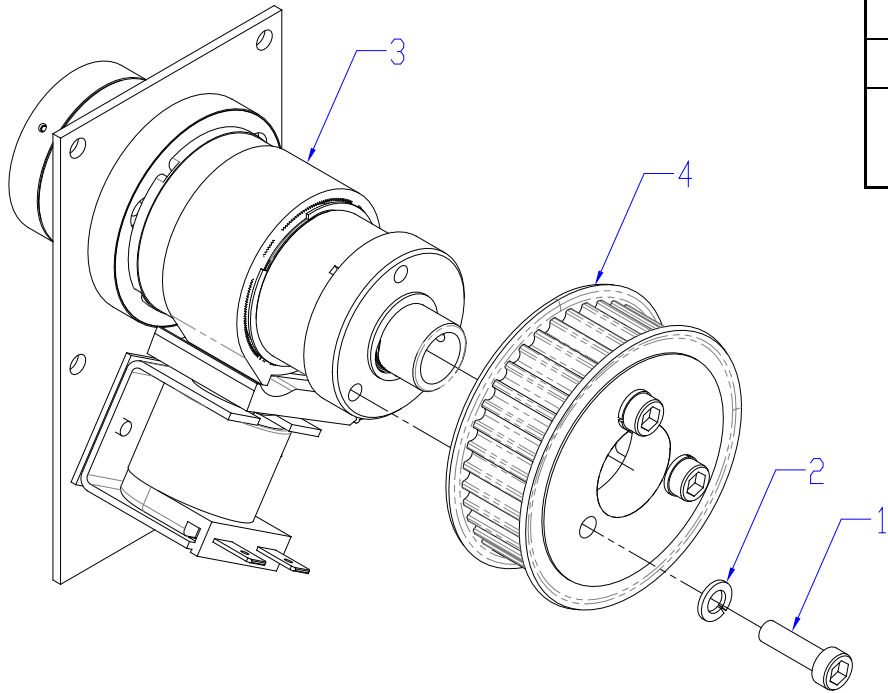
**PL 4.7. Punch Module- Stepper Alignment Bracket**

ITEM	GBC Part #	Ricoh Part #		DESCRIPTION	QTY
1	1823906	VRC52035		SCREW,PHILLIPS HX W/SEM M5X10	4
2	7715078	VRC52079		BRACKET,ALIGN STEPPER MOUNT	1
3	7715859	VRC52221	M5	STEPPER MOTOR AND PULLEY, ALIGNMENT, SERVICE	1

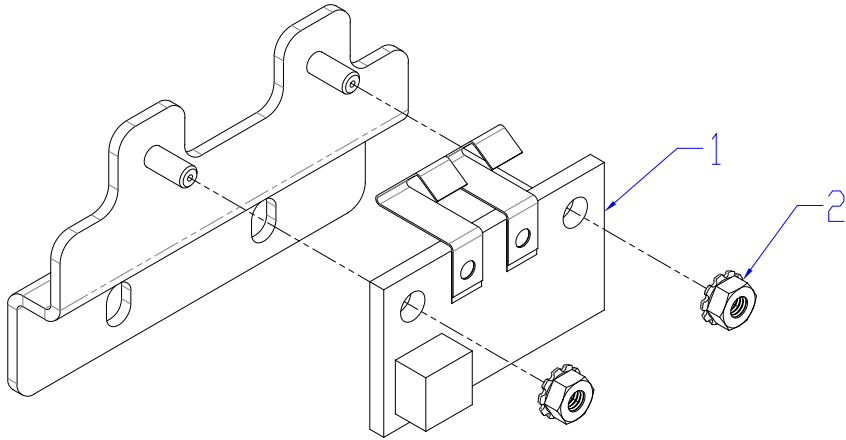


**PL 4.8. Punch Module- Punch Clutch**

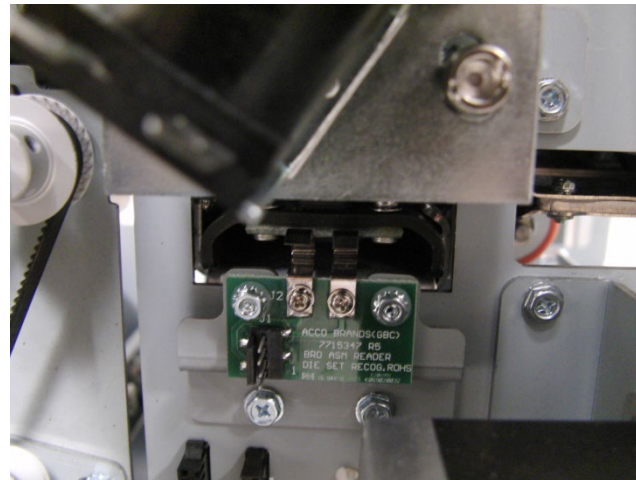
ITEM	GBC Part #	Ricoh Part #		DESCRIPTION	QTY
1	1821531	VRC52006		SCREW, SHCS, M5X18	3
2	1821801	VRC52013		WASHER, SPLIT LOCK, M5	3
3	7715020	VRC52069		CLUTCH, WRAP SPRING	1
4	7715231	VRC52110	115V	PULLEY & FLANGE,5MM HTD,38T	1
	7715371	VRC52126	230V	PULLEY & FLANGE,5MM HTD,34T	1



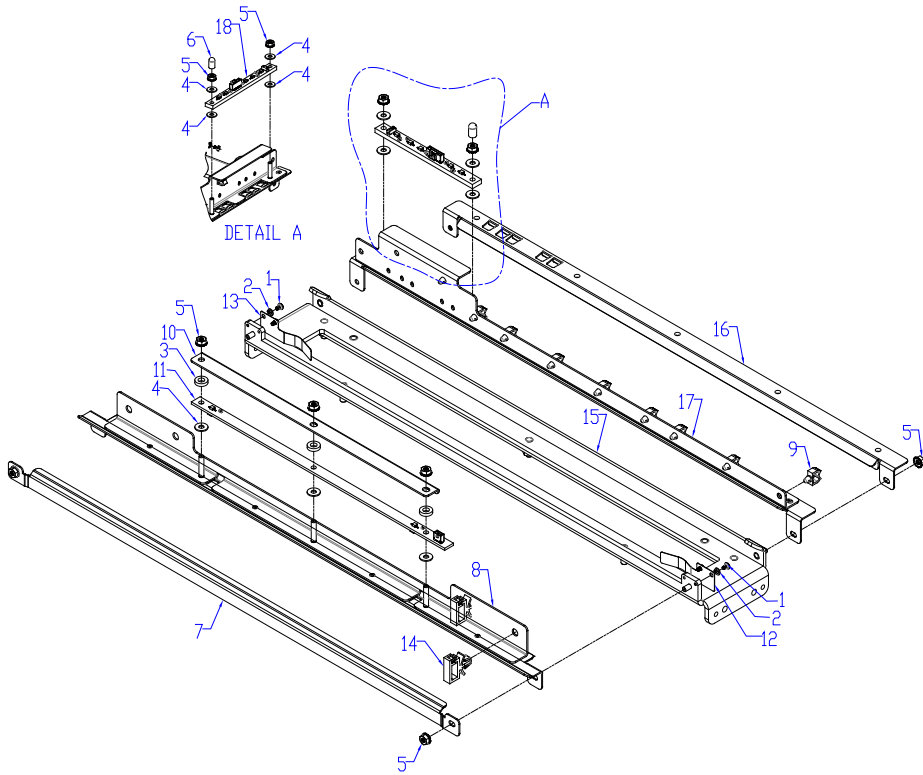
**PL 4.9. Punch Module- Die Set Recognition Reader Board**



ITEM	GBC Part #	Ricoh Part #	DESCRIPTION	QTY
1	7715347	VRC52124	BOARD, READER, DIE SET RECOGNITION	1
2	1824002	VRC52041	NUT, KEPS, M3	2

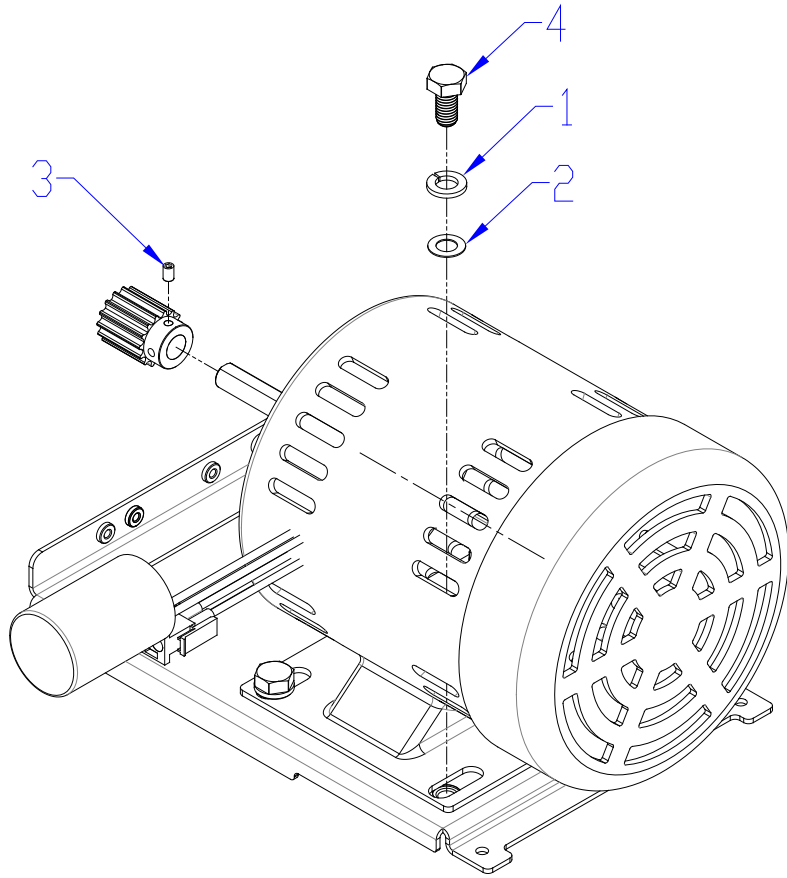


**PL 4.10. Punch Module- Die Rail, Backgage, Align Sensors, Sub Assembly**

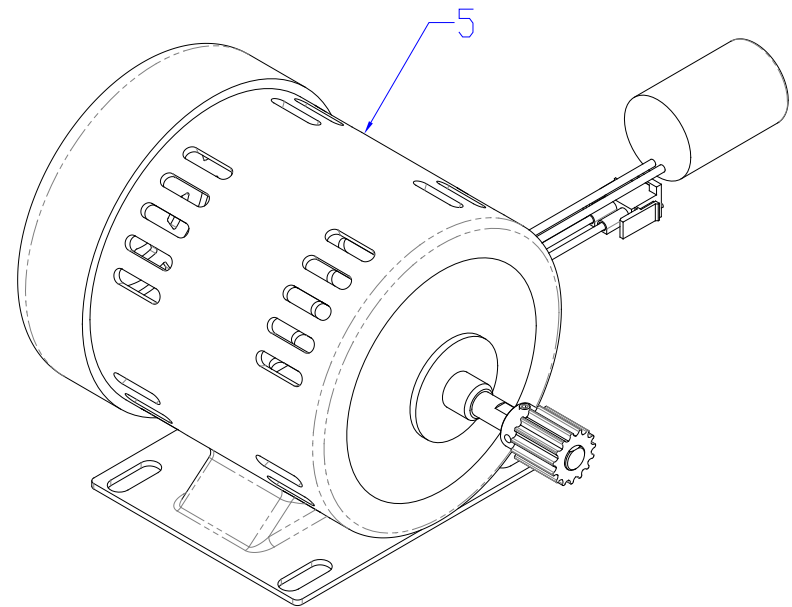


ITEM	GBC Part #	Ricoh Part #		DESCRIPTION	QTY
1	1821610			SCREW, PHILLIPS, PAN HD, M2, 3MM	4
2	1821808	VRC52017		LOCK WASHER, SPLIT, M2	4
3	1822114			WASHER, FLAT, 4.1x8x2	3
4	1822117	VRC52023		WASHER, 3.2ID, 8OD, 0.75MM THK.	7
5	1824002	VRC52041		NUT, KEPS, M3	9
6	7708814			CAP, RUBBER, 1/8 X 1/4 X .040	1
7	7715032	VRC52072		BRACKET, BACKGAGE SENSOR, LOWER	1
8	7715080	VRC52081		BRACKET WLDMNT, BACKGAGE SENSOR	1
9	7715640	VRC52186		WIRE SADDLE, SHORT, ALIGN SENSOR WIRES	9
10	7715645			COVER, BACKGAGE SENSOR	1
11	7715696	VRC52192	S16 S17	BOARD ASSY, BACKGAGE SENSOR	1
12	7715787	VRC52210		SPRING, DIE RAIL, POSITION, 1	1
13	7715799	VRC52212		SPRING, DIE RAIL, POSITION, 2	1
14	7715817	VRC52216		WIRE SADDLE, SMALL, LOCKING TOP, V-0	2
15	7715986	VRC52107		DIE RAIL, ASSEMBLY	1
16	7715990	VRC52082		GUIDE, ALIGNMENT SENSOR, BOTTOM	1
17	7715787	VRC52210		BRACKET WLDMNT, ALIGNMENT SENSOR	1
18	7718567	VRC52263	S11 S12 S13 S14 S15	BOARD ASSY, ALIGNMENT SENSOR, SWITCHABLE	1

**PL 4.11. Punch Module- AC Motor**



ITEM	GBC Part #	Ricoh Part #		DESCRIPTION	QTY
1	1821807	VRC52016		WASHER, SPLIT LOCK, M8	4
2	1822113	VRC52022		WASHER, FLAT, 8X14X0.5	4
3	1823602	VRC52028		SET SCREW, NYLON PATCH, M4X6	1
4	1824703	VRC52044		SCREW, HEX CAP, M8, 16MM LONG	4
5	Z7724220	VRC52548	115V	MOTOR AND PULLEY, PUNCH, 115V, SERVICE	1
	Z7724221	VRC52549	230V	MOTOR AND PULLEY, PUNCH, 230V, SERVICE	1



## Die Sets



ORDER THESE DIE-SETS THROUGH RICOH SUPPLIES

ITEM	Ricoh Part #	DESCRIPTION
1	404757	DIE, Coil, Rnd
2	404758	DIE, Wire 2:1, Rnd
3	404759	DIE, Wire 3:1, Rnd
4	404760	DIE, 3 Hole, 8mm
5	404761	DIE, 3/5/7 Hole, 8mm
6	404762	DIE, 4 Hole, 8mm
7	404763	DIE, 4 Hole, 6.5mm
8	404764	DIE, 4 Hole Scan
9	404765	DIE, VeloBind, 11 Hole, Ltr
10	404766	DIE, VeloBind, 12 Hole, A4
11	404767	DIE, CombBind
12	404768	DIE, Wire 2:1, Sq
13	404769	DIE, Wire 3:1, Sq
14	404771	DIE, Coil, Oval
15	404772	DIE, eWire, Rnd
16	404770	DIE, eWire, Sq
17	409057	DIE , Coil, Rnd, 47H HD
18	409058	DIE, 3 Hole, 8mm, HD
19	409059	DIE, CombBind, 21H HD
20		DIE, Crease
21		DIE, Perf, 75-120 GSM
22		DIE, Perf, 120-300 GSM

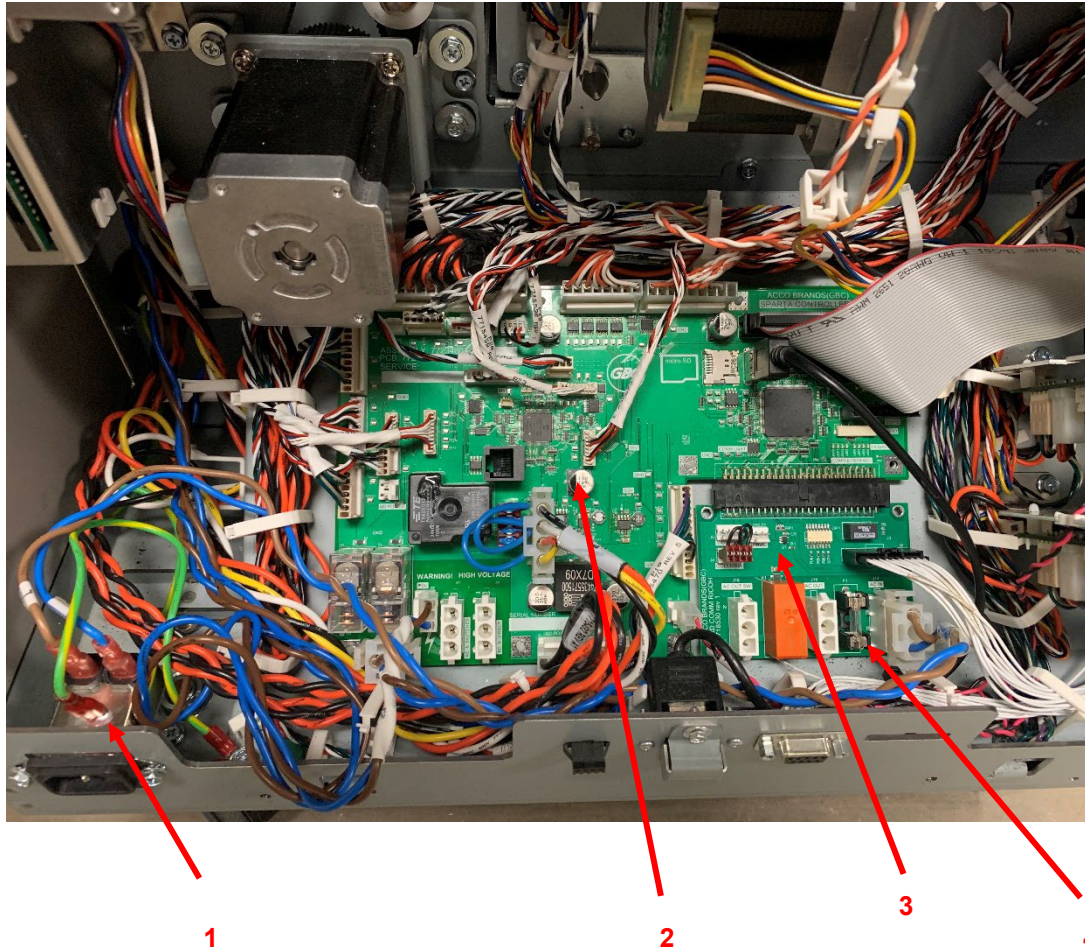
### DIE-SETS REPLACEMENT PARTS

ITEM	GBC Part #	Ricoh Part #	DESCRIPTION
1	7713969		SPRING, DRIVE, CREASE/PERF
2	7724569		PERF DIE INSERT, REPLACEABLE

# Electronics

## PL 6.1. Electronics PCB Assembly

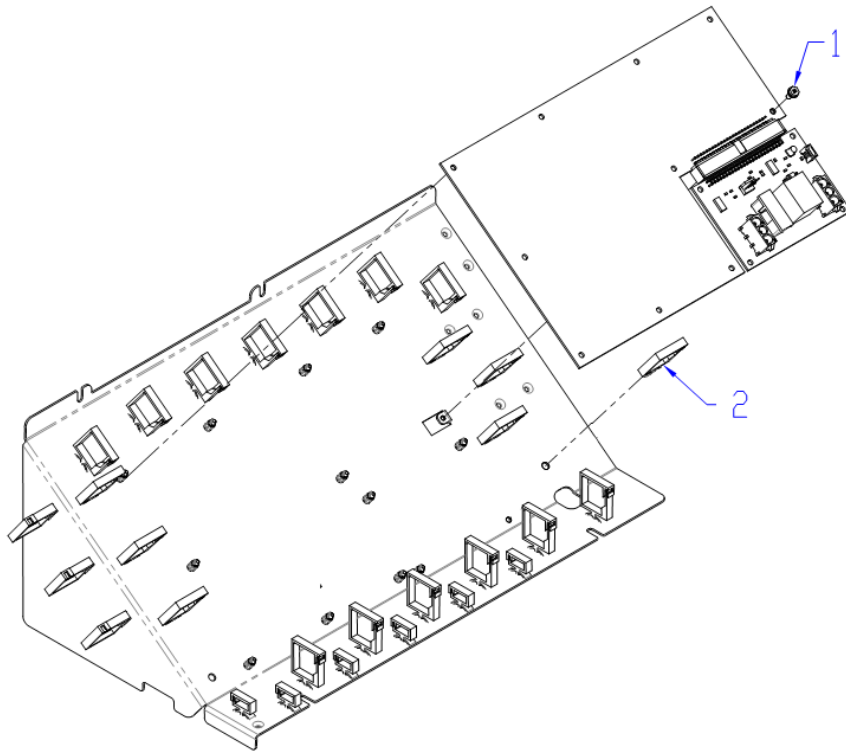
ITEM	GBC Part #	Ricoh Part #	DESCRIPTION	QTY
1	6195001	VRC52053	RFI POWER FILTER	1
2	Z7724692	VRC52551	BOARD, CONTROL, MAIN	1
3	7718530	VRC52262	BOARD, CONTROL, COMM	1
4	Z7724171	VRC52545	FUSE,AC POWER, 250V, 8A	1





**PL 6.2. Control Board Bracket Sub Assembly**

ITEM	GBC Part #	Ricoh Part #	DESCRIPTION	QTY
1	1823901	VRC52031	SCREW, PHILLIPS HX HD W/SEMS, M3X6	14
2	7715819	VRC52218	WIRE SADDLE, LARGE, LOCKING TOP, V-0	24



**PL 6.3. Cable Part Number Index**

Refer to the Wiring drawing on the next page to locate the cables

<b>GBC Part #</b>	<b>Ricoh Part #</b>	<b>DESCRIPTION</b>
7715451	VRC52140	CABLE, SENSORS S1,S25,S26
7715453	VRC52141	CABLE, SENSORS, ENTRY
7715455	VRC52142	CABLE, SENSORS, SKEW, BRD TO HDR
7715456	VRC52143	CABLE, SENSORS, ALIGN, BRD TO HDR
7715457	VRC52144	CABLE, SENSORS, BG & ALGN HM, BRD TO HDR
7715458	VRC52145	CABLE, SENSORS, MID BG L & XL
7715459	VRC52146	CABLE, SENSORS, EXIT
7715466	VRC52147	CABLE, SOLENOIDS, ENTRY, BRD TO HDR
7715467	VRC52148	CABLE, SOLENOIDS, EXIT, BRD TO HDR
7715468	VRC52149	CABLE, ENTRANCE & ACCEL, DRIVER
7715470	VRC52150	CABLE, ALIGN & STEERING, DRIVER
7715473	VRC52151	CABLE, EXIT, DECEL & BYPASS DRIVER
7715476	VRC52152	CABLE, PUNCH MOTOR
7715477	VRC52153	CABLE, POWER, STEPPER, DRIVERS
7715485	VRC52154	CABLE, CHIP TRAY
7715487	VRC52155	CABLE, DOOR INTERLOCK
7715490	VRC52156	CABLE, USB
7715492	VRC52157	CABLE, DC POWER
7715493	VRC52158	CABLE, AC TO PSU
7715494	VRC52159	CABLE, AC TO BOARD

7715495	VRC52160	CABLE, DIESET RECOGNITION
7715498	VRC52161	CABLE, INLET FILTER TO AC REMOTE
7715508	VRC52162	CABLE, SKEW, HDR TO SENSOR
7715509	VRC52163	CABLE, ALIGN, HDR TO SENSOR
7715510	VRC52164	CABLE, BG, HDR TO SENSOR
7715519	VRC52165	CABLE, ALIGN HOME, HDR TO SENSOR
7715520	VRC52166	CABLE, LEFT STEER, DRV TO HDR
7715521	VRC52167	CABLE, RIGHT STEER, DRV TO HDR
Z7724421	VRC52550	CABLE, RIBBON TOUCHSCREEN, SPARTA 2
7715525	VRC52169	CABLE, AC FILTER, GROUND
7715528	VRC52171	CABLE, STEERING MOTOR, MTR TO HDR, LEFT
7715529	VRC52172	CABLE, STEERING MOTOR, MTR TO HDR, RIGHT
7715536	VRC52173	CABLE, THRU BEAM, CLEAR COVER
7715537	VRC52174	CABLE, DEBUG TO PANEL
7715539	VRC52176	CABLE, GROUND, PSU TO CHASSIS
7715538	VRC52175	CABLE, COMM TO PANEL
7715726	VRC52236	CABLE, COMMS, INTERNAL, SPARTA, RICOH

## Installation Kit Parts

ITEM	GBC Part #	Ricoh Part #		DESCRIPTION	QTY
1	6200001	VRC52054	115V	POWER CORD, US, 115V	1
2	6200002	VRC52055	230V	POWER CORD, EUROPE	1
3	6200014	VRC52056	230V	POWER CORD, UK,	1
4	6200015	VRC52057	230V	POWER CORD, SWISS	1
5	7715632	VRC52183		SCREW, ROUND TIP, M4 X 8	4
6	7712823			BRACKET, REAR ENTRY, WELDMENT	1
7	7712826			BRACKET, FRONT, ENTRY	1
8	1800189			SCR.MACH.PH.PHL.M4X6	8
9	7715740			ENTRANCE GUIDE, ASSY, RICOH, SPARTA	1
10	7715734			BRACKET, EXIT GUIDE, SPARTA	1
11	7715957			BRACKET, EXIT GUIDE, ANGLED, SPARTA	1
12	7715727			CABLE, COMMS, EXTERNAL, SPARTA, RICOH	1

## Miscellaneous Parts

ITEM	GBC Part #	Ricoh Part #	DESCRIPTION	QTY
1	7718648		WIPES, CLEANING, ANTI-STATIC	1
2	7715684	VRC52189	DRIVE, USB STICK, FLASH DRIVE	1